

- EN SALT ELECTROLYSIS SYSTEM**
- FR SYSTÈME D'ÉLECTROLYSE SALINE**
- ES SISTEMA DE ELECTROLISIS SALINA**
- IT SISTEMA PER L'ELETTROLISI DEL SALE**
- DE SALZ-ELEKTROLYSE-SYSTEM**
- PT SISTEMA DE ELECTRÓLISE SALINA**

ASTRALPOOL CHLORE



- Model. 42347 Smart 30**
- 42348 Smart 60**
- 42349 Smart 100**



INSTALLATION AND MAINTENANCE MANUAL
MANUEL D'INSTALLATION ET D'ENTRETIEN
MANUAL DE INSTALACION Y MANTENIMIENTO
MANUALE DI INSTALLAZIONE E MANUTENZIONE
EINBAU-UND BETRIEBSANLEITUNG
MANUAL DE INSTRUÇÕES E MANUTENÇÃO

ASTRALPOOL 

IMPORTANT: The instruction manual you are holding includes essential information on the safety measures to be implemented for installation and start-up. Therefore, the installer as well as the user must read the instructions before beginning installation and start-up. Keep this manual for future reference.



Disposal of waste electrical and electronic domestic systems in the European Union.

All the products marked with this symbol indicate that the product shall not be mixed or disposed with your household waste at their end of use. It is responsibility of the user to eliminate this kind of wastes depositing them in a recycling point adapted for the selective disposal of electrical and electronic wastes. The suitable recycling and treatment of these wastes contributes in essential way to the preservation of the Environment and the health of the users. For further information regarding the points of collection of this type of wastes, please contact to the dealer where you acquired the product or to your municipal authority.

For optimum performance of the Astralpool Chlore Salt Electrolysis System, we recommend you to follow the instructions given below:

1. CHECK THE CONTENTS OF THE PACK:

You should find the following elements inside the box

- Power supply
- Electrolysis cell
- Operation Manual

2. GENERAL FEATURES:

When Astralpool Chlore Salt Electrolysis System is installed, a quantity of salt is dissolved into the swimming pool water. This salty water then passes through the electrolysis cell that is located in the plant room. The Astralpool Chlore Salt Electrolysis System consists of two elements: an electrolysis cell and a power supply. The electrolysis cell contains a quantity of titanium plates (electrodes).

When a weak electrical current is passed through the plates inside the electrolysis cell, chlorine is produced. Maintaining a level of chlorine in swimming pool water keeps the water sanitised and healthy to swim in. The Astralpool Chlore Salt electrolysis System will manufacture chlorine whenever the pool circulation system (pump and filter) is operational.

The power supply is provided with various safety devices, which are activated in case of irregular operation of the system, as well as a microprocessor driven control system.

The Astralpool Chlore Salt electrolysis Systems has an automatic cleaning system that avoids scale formation on the electrodes.

DESCRIPCION	MODEL		
	SMART 30 - Code 42347	SMART 60 - Code 42348	SMART 100 - Code 42349
Standard working voltage	230 V AC, 50/60 Hz.		
Output (dc)	6 A	12 A	24 A
Production (g/h)	5 - 6	10 -12	20 -24
Flow detector	Gas detector		
Salinity range / Temperature	4 - 6 g./l. / 15°C - 40°C (59°F - 104°F)		
Electrodes	SELF-CLEANING coated Titanium Estimated lifetime: 8.000 - 10.000 hours of operation (depending on water quality) ⁽²⁾		
Production control	0 - 100 % (5 production levels)		
Cover control	Input for potential free contact Programmable reduction of production to 10% of its nominal value from control panel when closed cover		
Polarity switch	Programmable 2 ⁽¹⁾ / 3 hours + test mode (jumper in control board)		
Voltage	Input for potential free contact enabled by jumper in control board Logics: ON (closed contact) / OFF (open contact)		
Salt level protection	Automatic protection of output current		

⁽¹⁾ Factory default.

⁽²⁾ Under ideal conditions: salinity (6 g/l), pH (7.2), water hardness (120 mg/l) and minimum flow rate.

3. SAFETY WARNINGS AND RECOMMENDATIONS:

- The equipment should be assembled and handled by truly qualified people.
- Current electrical and accident prevention regulations should be followed.
- Under no circumstances will the manufacturer be held responsible for the assembly, installation or start-up, nor any handling or fitting of components unless they are carried out on its premises.
- The AstralPool Chlore Salt Electrolysis Systems (42347, 42348, 42349) operate at 230VAC, 50/60Hz. Do not attempt to alter the system to operate at a different voltage.
- Check all the electrical connectors are well tightened to avoid false contacts and their consequent overheating.
- Before installing or replacing any component, disconnect the equipment from the mains, and use exclusively spare parts supplied by AstralPool.
- Taking into account the fact that the equipment produces heat, it must be installed in places with sufficient ventilation. Fan openings should be kept free of any element that could obstruct them. The equipment should not be installed near flammable materials.
- The AstralPool Chlore Salt Electrolysis Systems (42347, 42348, 42349) have a protection degree of IP24. They should never be installed in places susceptible to flooding.
- If the electrolysis equipment does not have cover detection, you must minimise the production of the equipment, provided that the cover is on the swimming pool. Otherwise, there may be an excess of chlorine that could cause the swimming pool materials to become deteriorated.

4. INSTALLATION:

4.1. Installation of the power supply

Always install the POWER SUPPLY of the Astralpool Chlore System VERTICALLY on a solid and rigid surface (wall) as shown in the recommended installation diagram (Fig. 1). In order to guarantee a good state of conservation, the POWER SUPPLY should be installed in a well-ventilated dry place. Due to IP degree of the POWER SUPPLY of the AstralPool Chlore Salt Electrolysis System should not be installed outdoors. The POWER SUPPLY should be installed a bit distant from the electrolysis cell so that it cannot accidentally suffer water splashes.

Beware of corrosive atmosphere formation due to pH decreasing solutions (specially, those ones based on hydrochloric acid "HCl"). Do not install the Astralpool Chlore System near to any stores of these chemicals. We strongly recommend the use of chemicals based on sodium bisulphate or diluted sulphuric acid.

Power supply must be connected to the electrical control box of the pool, so that the pump and the Astralpool Chlore System are turned on (and off) simultaneously.

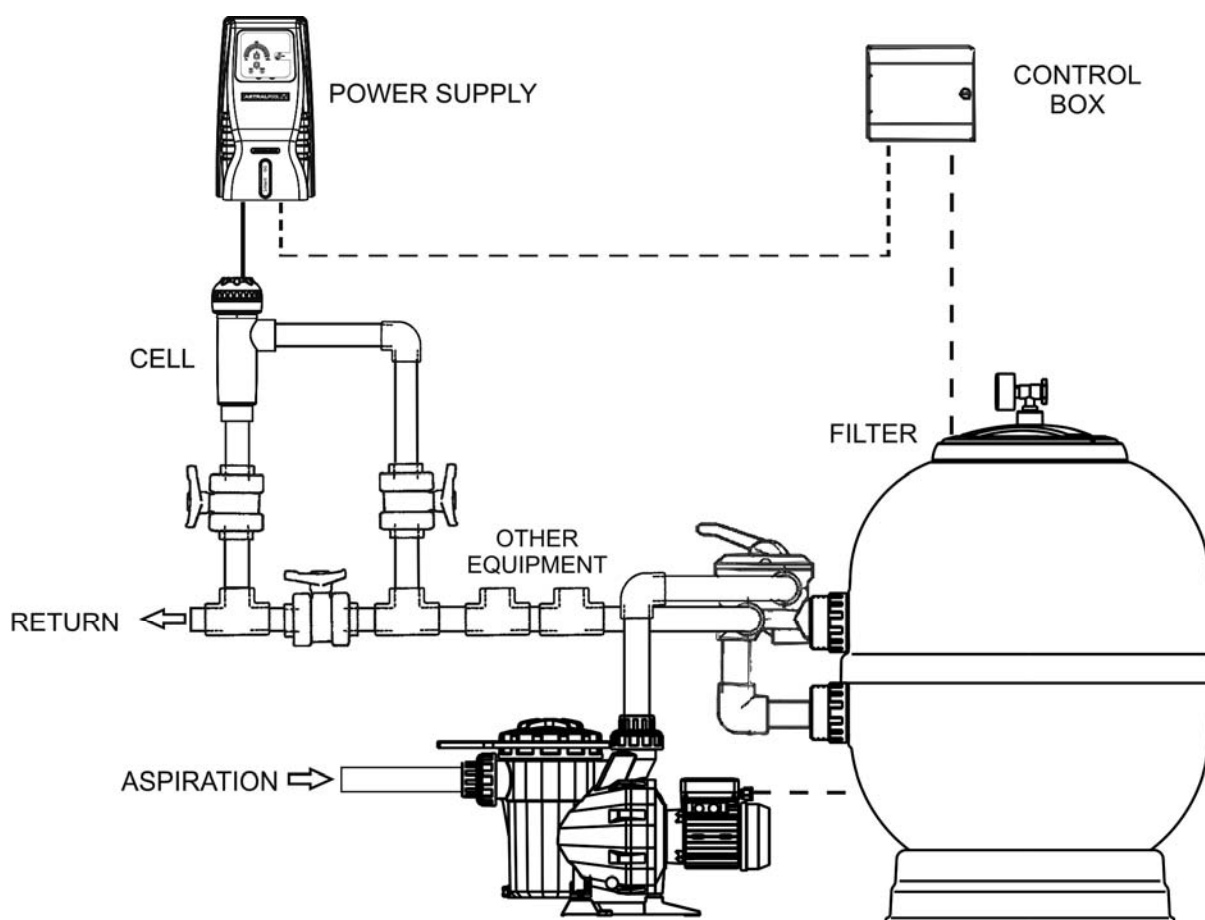


Fig.1 Recommended installation diagram.

4.2. Installation of the electrolysis cell

The electrolysis cell is made of a transparent polymer in whose interior the electrodes are placed. The electrolysis cell must be always installed indoors and **after the pool filter**, and after any heating equipment that may be present (heat pumps, control systems, etc.).

The installation of the cell should allow easy access to the installed electrodes by the user. It is highly recommended to install the electrolysis cell VERTICALLY, in a place of the pipe that can be easily isolated from the rest of the installation by two valves, so that the tasks of maintenance can be carried out with no need of partial or total draining of the swimming pool.

Where the cell is installed on a by-pass (recommended option), a valve to regulate the flow must be introduced. Prior to installation, please consider the following commentaries might be considered:

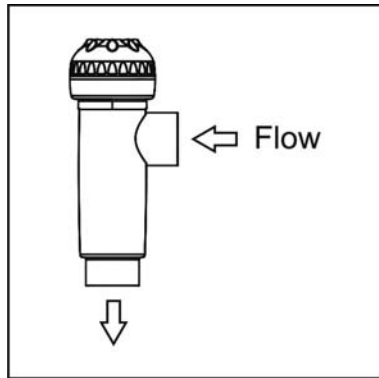


Fig.2

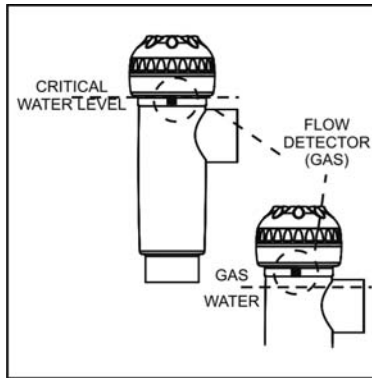


Fig.3

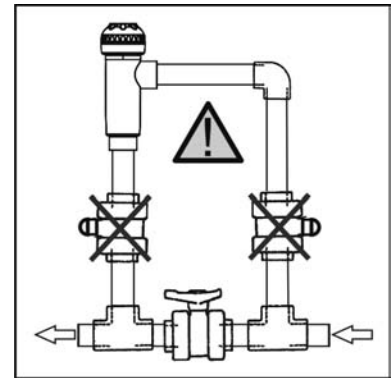


Fig.4

1. Flow direction marked in the cell must be respected. (ver. apartado 9). Recirculation system must guarantee the minimum flow stated in the Table of Technical Specifications for each model (see Section 8)

2. The system flow detector activates if there is not recirculation (flow) of water through the cell or if flow is very low. If electrolysis gases are not properly removed through the electrolysis cell, the generated gas bubble electrically isolates the auxiliary electrode (electronic detection). Therefore, when locating the electrodes in the cell, the level probe (auxiliary electrode) will have to be located in the higher area of the cell. The safest orientation is shown in the recommended installation diagram.

3. **WARNING:** if the in-out valves of the electrolysis cell are closed simultaneously, the flow detector (gas detector) will not work correctly, with the consequent risk of cell breakdown. Although this situation is extremely unusual, **it can be easily avoided once the equipment has been installed, by locking at opened position the return valve to the swimming pool**, so it cannot accidentally be manipulated.

Other installations would only be acceptable if the detection of low or null flow is also allowed.

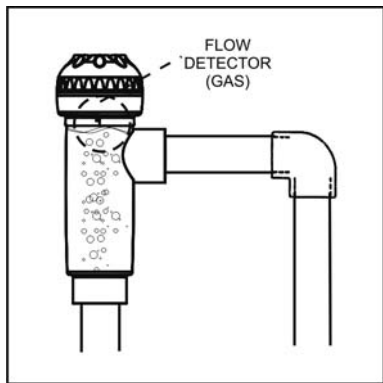


Fig.5

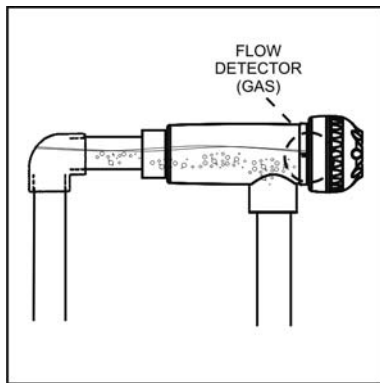


Fig.6

1. Recommended installation

2. Allowed installation (not recommended)

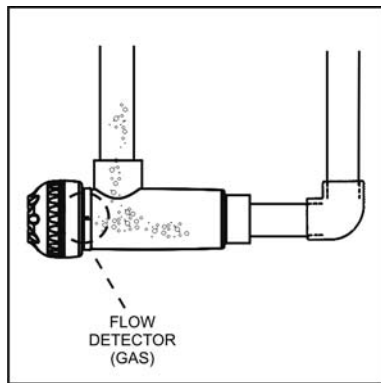


Fig.7

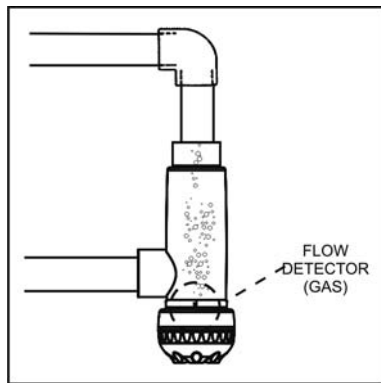


Fig. 8

3. Not allowed installations

The electrodes should be introduced into the inside of the electrolysis cell, securing the main electrode of the unit through the guides located at the top and bottom of it.

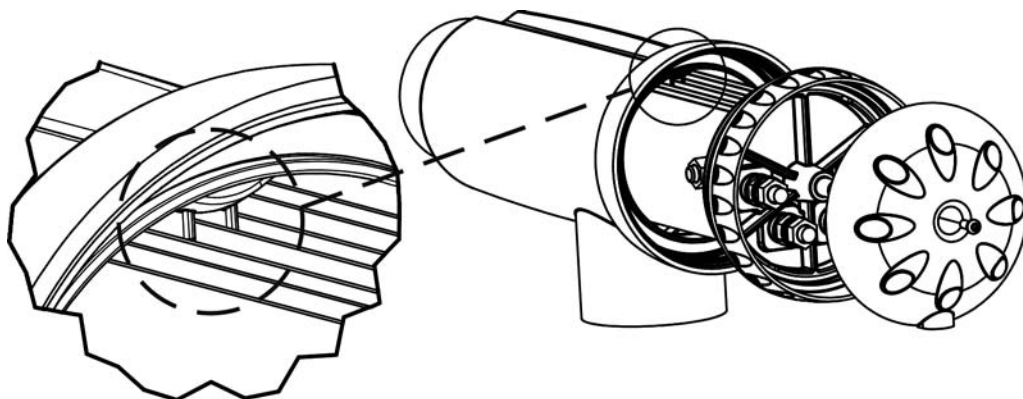
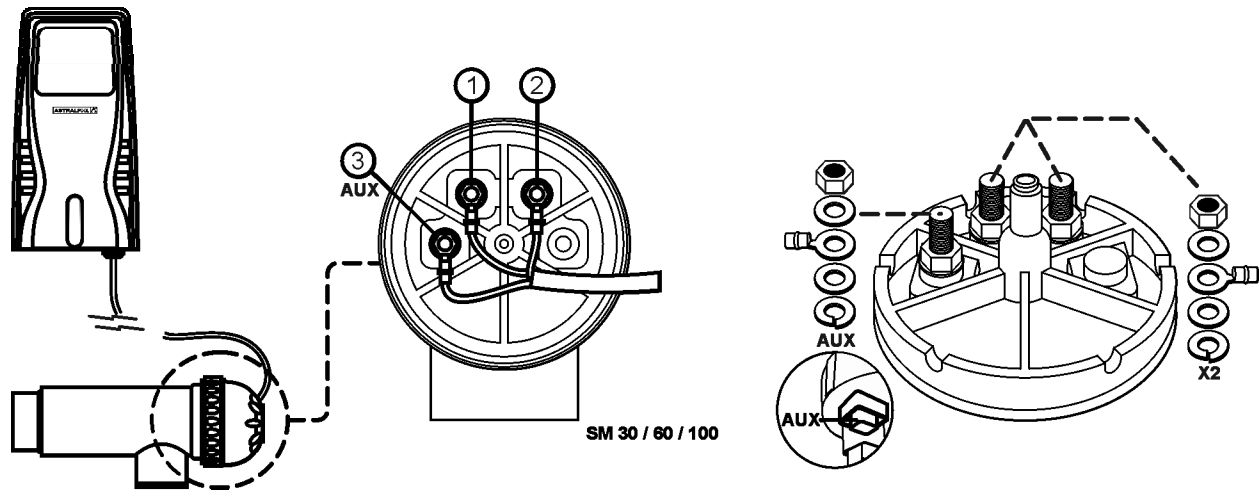


Fig. 9a

4.3. Electrical connection of the electrolysis cell

Make the interconnection between the electrolysis cell and the power supply according to the following scheme. Due to relatively high current intensity circulating do not modify or cut either the length or section of the supplied cables without making a previous consultation to an authorized Astralpool distributor. The cable connecting the electrolysis cell and the power supply should never exceed the maximum length recommended in this Manual: Smart 30 / 42347, 15 m.; Smart 60 / 42348, 7.5 m.; Smart 100 / 42349, 4.0 m.

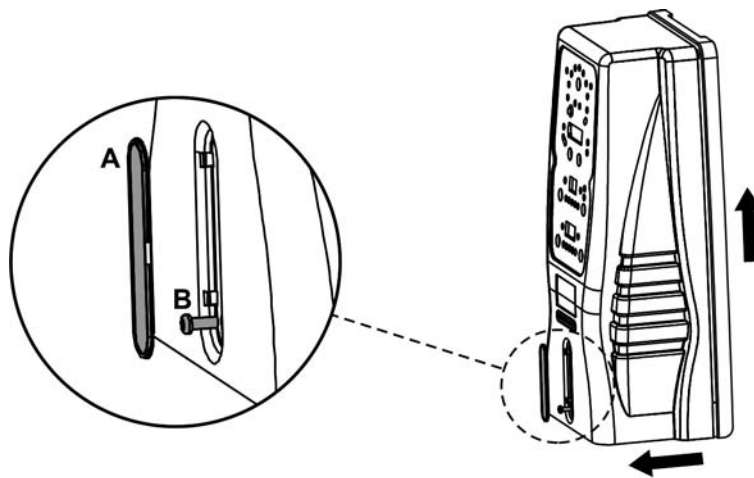


- 1.- Electrode 1 (Red)
- 2.- Electrode 2 (Red)
- 3.- Flow detector (Yellow)

Fig. 9b

4.4 Cover detaching

1. Remove the embellisher (A) situated in the cover.
2. Unscrew the cover fixation screw (B).
3. Remove the cover by sliding it upwards and outwards.



4.5. Controls and indicators

The AstralPool Chlore Smart Salt Electrolysis systems are fitted with a control panel on the front (Fig. 10).

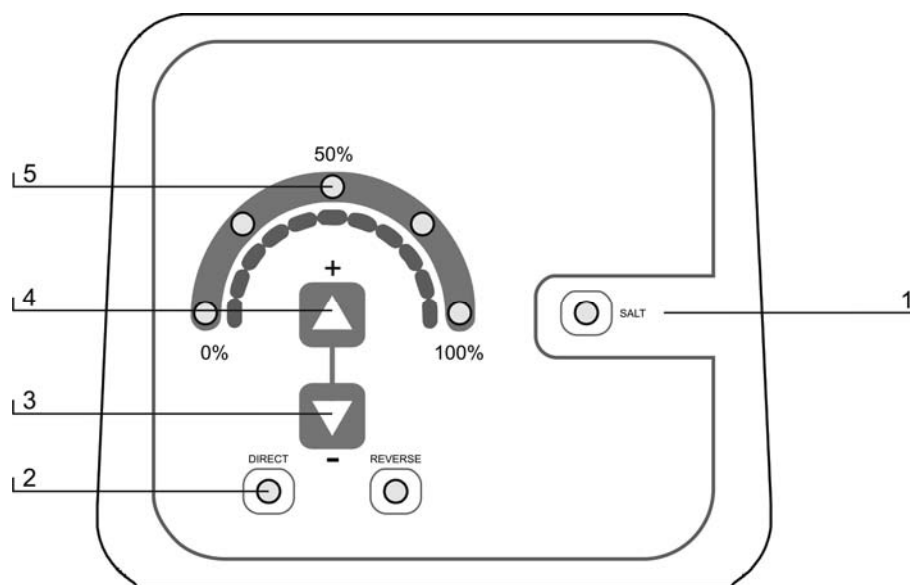


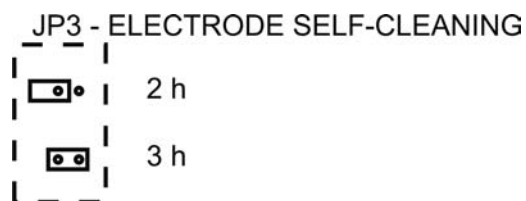
Fig. 10

1. SALINITY Alarm.
2. SELF-CLEANING indicators (DIRECT/REVERSE polarity)
3. Key “-” (decrease production)
4. Key “+” (increase production)
5. Production indicator 0 ... 100 %

4.6. Programming and control

Besides the basic operations, the AstralPool Chlore Smart Salt Electrolysis System has an input for an external control by means of an ORP controller, residual chlorine, etc.; as well as one for the adjustment of the production of the equipment on activation of the automatic swimming pool cover. Moreover, it permits the configuration of three electrode SELF-CLEANING modes: TEST, 2/2, 3/3 hours.

- **ELECTRODE SELF-CLEANING System:** the leds [2] indicate electrode polarisation status (direct/reverse). The reversal frequency can be selected by means of jumper “JP3” on the system control panel (Figs. 11- 12).



Smart 30 / 60

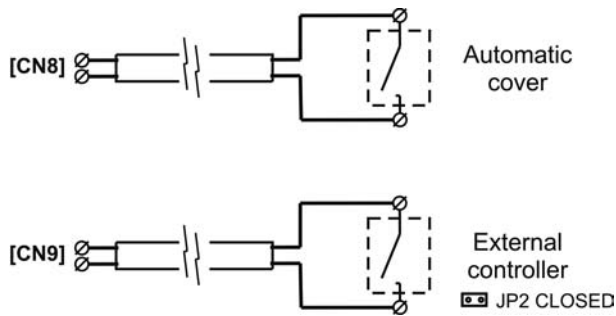
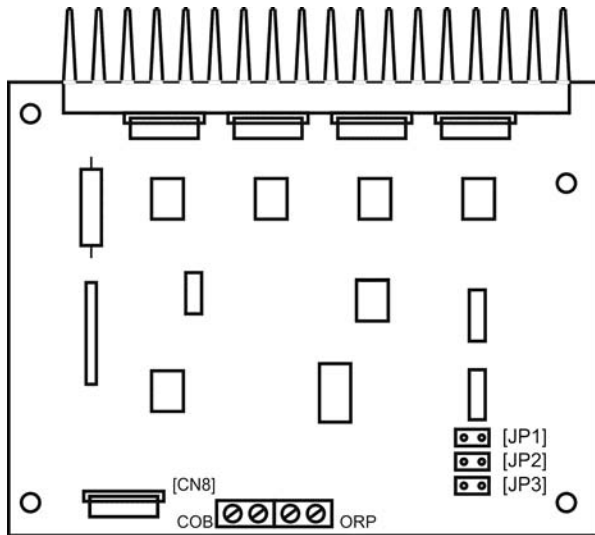


Fig. 11

Smart 100

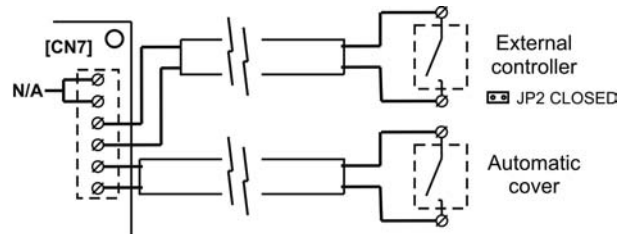
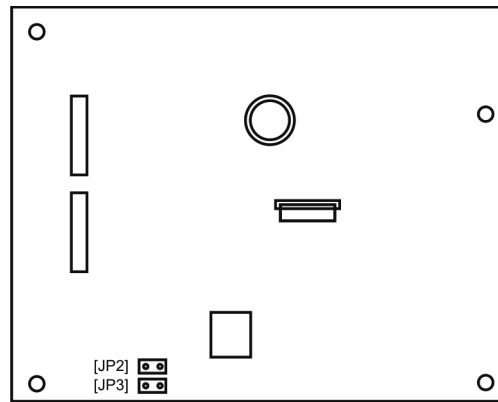
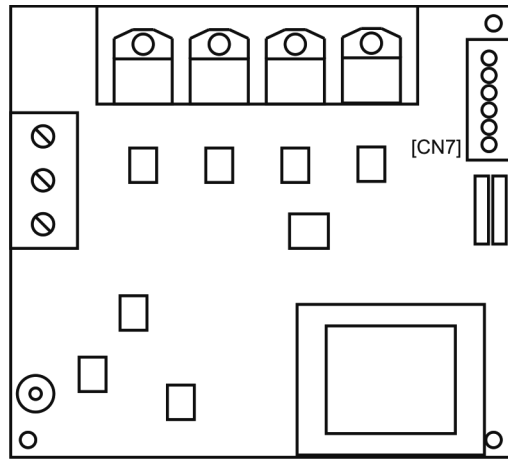
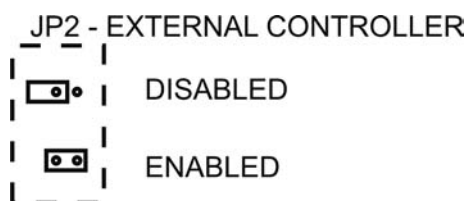


Fig. 12

- **AUTOMATIC COVER control:** the system has an input for a potential-free contact [COB]. When the contact connected to this input is closed (automatic cover closed), the electrolysis system reduces its production to 10% of its rated value.
- **EXTERNAL Control:** the system has an additional auxiliary input for a potential-free contact [ORP]. This input can be used to make the electrolysis system interact with an external controller (ORP, RESIDUAL CHLORINE, PHOTOMETER, etc.). When the contact connected to this input is OPEN, the electrolysis system is stopped. To activate this input, place jumper "JP2" located on the unit's control panel.



4.7. Start-up

1. Check that the filter is 100% clean, and ensure that the swimming pool and the installation do not contain copper, iron or algae. Ensure that any heating equipment on the pool is suitable for use in salt water.
2. Ensure that the swimming pool water is balanced. Balanced water enables the chlorine that is produced to be used more efficiently and effectively, and ensures that the life of the electrodes is prolonged. Water should be maintained within the parameters shown below:
 - a) pH must be in the range 7.2-7.6
 - b) Total alkalinity must be in the range 80-120 ppm
3. Although the AstralPool Chlore Smart system can work at a salinity range of 4-6 g/l, try to maintain the recommended minimum salt level of 5 g/l, by adding 5 kg per m³ of water if the water does not already contain salt. Always use common salt (sodium chloride), without additives like iodides, that is "apt for human consumption". Never add the salt through the cell. Add it directly to the swimming pool or into the balance tank.
4. When adding the salt, and in case the swimming pool is going to be used immediately, carry out a treatment with chlorine. An initial dose of 2 g/m³ of trichloroisocyanuric acid may be added.
5. Prior to starting up the salt chlorinator, disconnect the power supply to the salt chlorinator and run the pump for 24 hours to ensure that the salt is completely dissolved.
6. Next, reconnect the power supply and turn on the salt chlorinator, locating the production level so that free chlorine concentration stays within the recommended range (0.5 - 1.5 ppm).

NOTE: in order to establish the free chlorine level you will need to use a test kit.

7. In outdoor swimming pools it is advisable to maintain a level of 25-30 g/m³ of chlorine stabiliser (cyanuric acid) in the pool. A level of 75 ppm should be never exceeded. This will help to stop the chlorine that is in the water from being destroyed by the sun.

5. OPERATION:

5.1. System stopped

The system enters "stand-by" MODE when the "-" key [3] is pressed successively until the "0 %" led flashes. In this situation there is no production in the electrolysis cell.

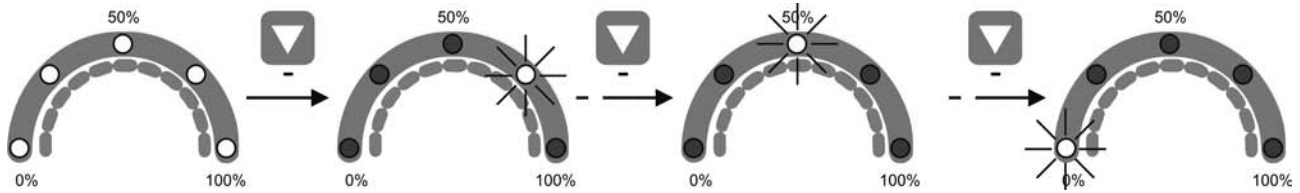


Fig. 13

5.2. Selection of the level of production

To select the required production level, press the "+" [4] or "-" key [3] successively until the led corresponding to the target production level keeps flashing. After a few seconds have elapsed, the system will set production to the level selected.

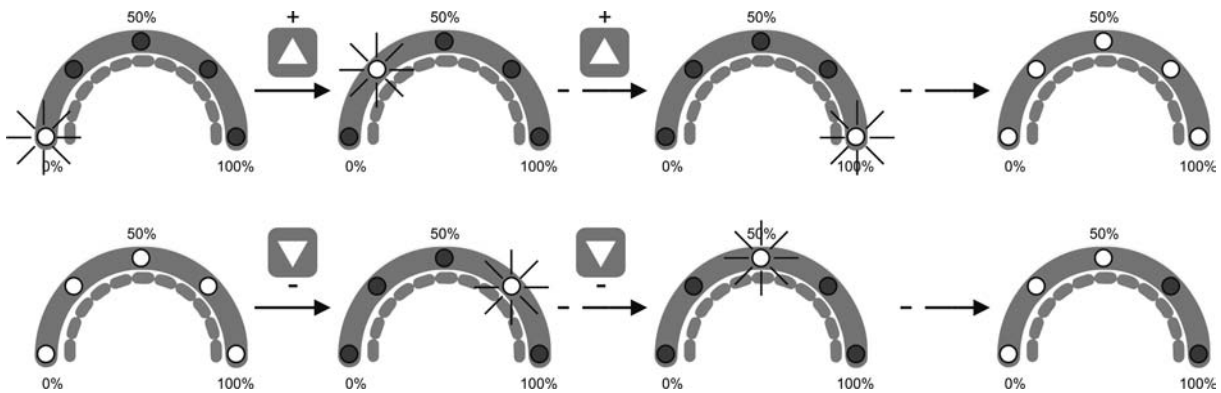


Fig. 14



WINTER Mode: during periods of low water temperature, where the chlorine demand will be low, select a production level [1] of 50%, because in this way power consumption and lifetime of the package of electrodes are optimized.

5.3. TEST Mode

To enter TEST MODE, reduce the production level to "0%" by pressing the "-" key in a row [3] (Fig. 13).

Once the system has stopped, hold down this key for 5 seconds. The system will indicate that it has entered TEST MODE and all the leds will light up for one second.

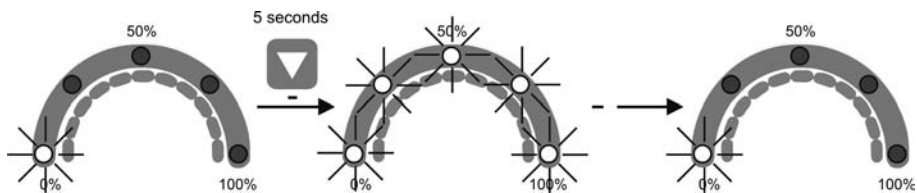


Fig. 15

When the system enters TEST MODE, the system resets the polarity change timer and the level of production selected. In this mode, the system is totally operational, and the electrode polarity reversal will be performed every 2 minutes. To quit TEST MODE, the system must be switched off from the 230 V mains.

When the system is in TEST MODE, the polarity led "DIRECT - REVERSE" [2] will flash.

5.4. Alarms

- **HIGH SALT LEVEL**

If too much salt has been added, the power supply will reduce the level of power with regard to that which was selected automatically. The "SALT" [1] led will stay on. In this case, empty part of the swimming pool (for example 10%), and add fresh water to reduce the salt concentration. To know the exact level of salt, we recommend the use of a portable salinity-temperature meter.

- **LOW SALT LEVEL**

If the level of salt in the swimming pools water were below the recommended level, the power supply may not reach the level of output selected. The "SALT" [1] will blink. It is possible that the system indicates salt levels below the real ones if the water temperature is less than 20°C or if the electrode package has reached the end of its lifetime. In this case, determine the level of salt in the water and add the amount of salt needed. The type of common salt (NaCl) indicated for salt electrolysis should have no additives (anti-clogging agents, iodides) and should be suitable for human consumption. To know the exact level of salt we recommend the use of a portable salinity-temperature meter.

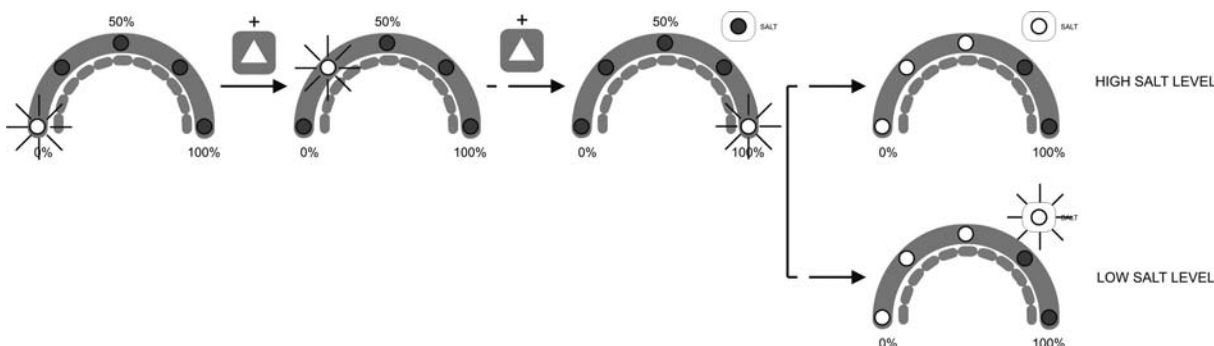


Fig. 16

- **LEVEL OF WATER IN THE CELL/FLOW DETECTOR (GAS)**

If an air or gas bubble formed at any time at the top of the electrolysis cell and the FLOW DETECTOR were not submerged, the system will automatically disconnect the output of current to the electrodes, and all the system leds will flash. The system will reset automatically once the flow of water through the cell is restored and the bubble is released.

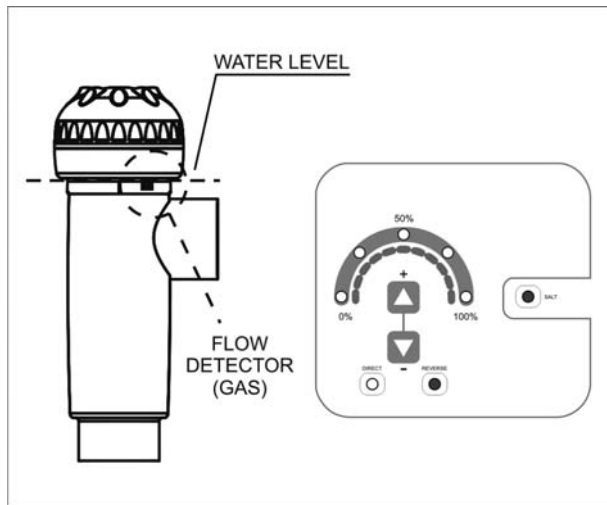


Fig. 17

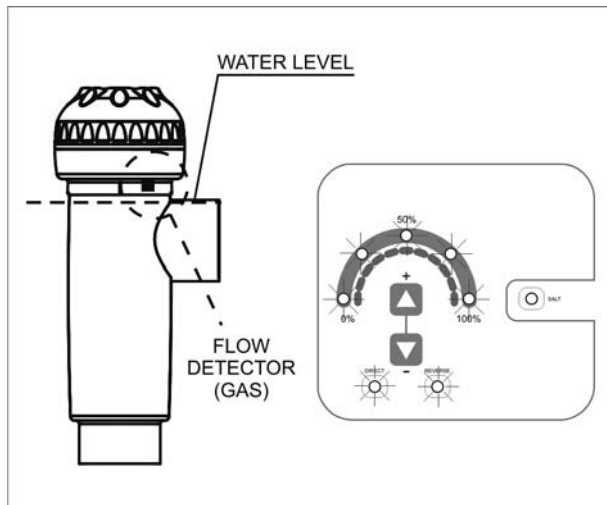


Fig. 18

1. Gas detector submerged. Operating system.

2. Gas detected. System stopped.

6. MAINTENANCE:

The electrolysis cell must be kept in suitable conditions to ensure a long lifetime. This salt chlorination unit has an automatic electrode cleaning system that helps to prevent scale build-up on the electrode surface. If the salt chlorination system is operated in accordance with these instructions, and in particular if the pool water balance is kept within the recommended parameters, it should not be necessary to manually clean the electrodes. However, if the pool water and the salt chlorination system are not maintained in line with these instructions then it may be necessary to manually clean the electrodes following the procedure outlined below:

1. Stop the electrolysis system and the rest of equipment of the pool.
2. Close valves and empty the electrolysis cell.
3. Unscrew the closing nut located at the end where the electrodes are located, and remove the electrode package.
4. Use diluted hydrochloric acid (a part of commercial acid in 10 parts of water), submerging the electrode package in the prepared solution for no more than 10 minutes.
5. NEVER SCRAPE OR SWEEP THE CELL OR THE ELECTRODES.

The electrodes of a salt chlorination system comprise of a titanium sheet coated with a layer of noble metal oxides. The electrolysis processes that take place on their surface produce a progressive wearing down - the electrodes do have a finite life. In order to optimise electrode lifetime, please consider the following:

1. Although all Astralpool Chlore salt electrolysis units are SELF-CLEANING, a prolonged operation of the system at pH values over 7.6 in waters of high hardness can produce scale formation on the surface of the electrodes. Scaling on the electrodes surface will progressively deteriorate the coating, causing a decrease of lifetime.
2. Manually cleaning/washing the electrodes (as described above) will shorten their life.
3. Prolonged operation of the system at salinities lower than 3 g/l (3000 ppm) will cause a premature deterioration of the electrodes.
4. Frequent use of copper based algaecides will promote the formation of copper deposits on the electrodes, progressively damaging the coating.

7. TROUBLESHOOTING:

Any action required to solve possible problems in the equipment should always be performed with the equipment disconnected from the mains. Any problem not indicated in the following list should be solved by an AstralPool technician.

PROBLEMA	SOLUCION
Production indicator always indicates "0" at all production levels	Check electrodes. Verify connections between power supply and the electrolysis cell. Check salt concentration.
The power supply is not turned on.	Check the system is properly connected to 230 V/50-60 Hz in the command box of the pump. Check the state of the fuse located at the bottom of the power supply.
Free chlorine levels in the water are very low.	Check that the system produces chlorine in pool jets. Verify that the water Chemicals parameters (pH, combined chlorine, isocyanuric acid, etc.) are correct. Increase filtering time. Add chlorine stabilizer (cyanuric acid) until a concentration of 25 - 30 g/m ³ is achieved.

8. TECHNICAL CHARACTERISTICS:

TECHNICAL SPECIFICATIONS:**Standard working voltage**

230V AC - 50/60 Hz.
 Cable: 3 x 1.5 mm², leng. 2 m.
 Smart 30 / 42347 0,18 A
 Smart 60 / 42348 0,36 A
 Smart 100 / 42349 0.72 A

Fuse

Smart 30 / 42347 1 A T (5x20 mm)
 Smart 60 / 42348 2 A T (5x20 mm)
 Smart 100 / 42349 3,15 A T (5x20 mm)

Output voltage

9 V DC / Cable: 3 x 4 mm², leng. 2 m.
 Smart 30 / 42347 - 6 A (2x3 A)
 Smart 60 / 42348 - 12 A (2x6 A)
 Smart 100 / 42349 - 24 A (2x12 A)

Production

Smart 30 / 42347 5 - 6 g./h.
 Smart 60 / 42348 10 - 12 g./h.
 Smart 100 / 42349 20 - 24 g./h.

Minimum recirculation flow

Smart 30 / 42347 1 m³/h.
 Smart 60 / 42348 2 m³/h.
 Smart 100 / 42349 4 m³/h.

Electrode number

Smart 30 / 42347 3
 Smart 60 / 42348 5
 Smart 100 / 42349 7

Net weight

Smart 30 / 42347 9 Kg.
 Smart 60 / 42348 11 Kg.
 Smart 100 / 42349 13 Kg.

GENERAL FEATURES:**Control system**

- Microprocessor.
- Membrane keypad with 2 control keys and operation indication leds.
- Control I/O: 2 inputs (potential-free contact type for automatic cover state and external controller (ORP, RESIDUAL CHLORINE, etc.).
- Cell output: production control (5 discrete levels).
- Salinity range / Temperature: 4 ... 6 g/l. / 15°C - 40°C (59°F - 104°F)

Self-cleaning

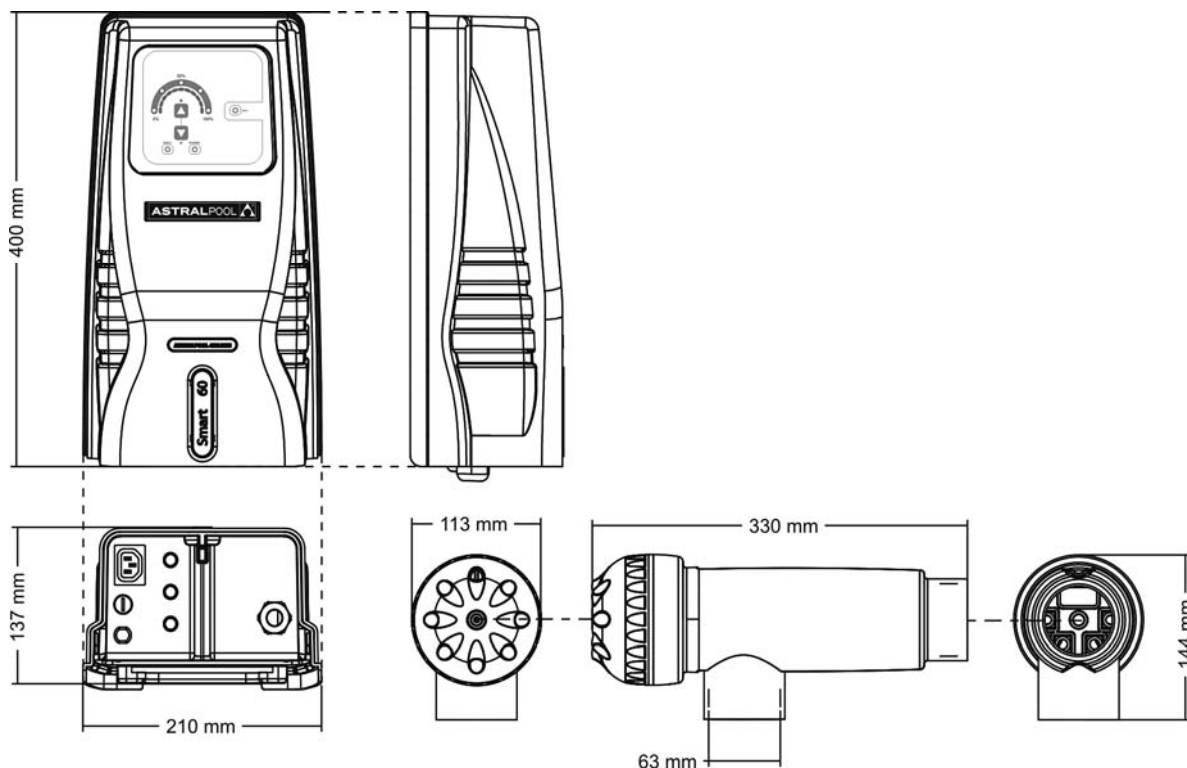
Automatic polarity switch

Working temperature

0°C to +40°C
 Cooling: natural convection

Material

- Power supply
- Blue ABS
 - Aluminium
- Electrolysis cell
- Blue methacrylate

Dimensions

9. WARRANTY CONDITIONS:

9.1. GENERAL ASPECTS

- 9.1.1. In accordance with these provisions, the seller guarantees that the product corresponding to this Warranty presents no lack of conformity at the time of delivery.
- 9.1.2. The Total Warranty period for the product is 2 YEARS, calculated as of delivery to the purchaser. The electrode is covered by a 2-YEAR WARRANTY (or 3.000 hours), which is not extendable.
- 9.1.3. If there were any defect in the product and the purchaser informed the seller within the warranty period, the seller must repair or replace the product at its own cost where it deems fitting, unless this were impossible or disproportionate.
- 9.1.4. When the product cannot be repaired or replaced, the purchaser may request a proportional reduction in the price, or, if the defect is substantial, the termination of the sales agreement.
- 9.1.5. Parts replaced or repaired pursuant to this warranty will not extend the term of the warranty of the original Product, while will have its own warranty.
- 9.1.6. For this warranty to be effective, the purchaser must accredit the date of purchase and delivery of the Product.
- 9.1.7. When more than six months have elapsed between the delivery of the Product to the purchaser and the latter alleges a defect, the purchaser must substantiate the source and the existence of the alleged defect.
- 9.1.8. This Warranty Certificate does not limit or prejudice the rights that correspond to the consumers by virtue of obligatory national legislation.

9.2. SPECIAL CONDITIONS

- 9.2.1. For this warranty to be effective, the purchaser must strictly follow the Manufacturer's indications included in the documentation supplied with the Product, when applicable according to the range and model of the Product.
- 9.2.2. When a programme is specified for the replacement, maintenance or cleaning of certain parts or product components, the warranty will only be valid when programme has been followed properly.

9.3. LIMITATIONS

- 9.3.1. This Warranty will only be applicable to sales made to consumers, with "consumer" taken to mean any person that purchases the Product for a purpose outside the sphere of their own professional activity.
- 9.3.2. No warranty is given regarding normal wear through the use of the product, or with regard to parts, components and and/or perishable materials or consumables (barring the electrode).
- 9.3.3. The Warranty does not cover cases in which the Product: (i) has been unduly handled or used; (ii) has been inspected, repaired, maintained or handled by an unauthorised person; (iii) has been repaired or maintained with non-original parts or (iv) has been installed or started up incorrectly.
- 9.3.4. When the Product defect is a consequence of an incorrect installation or start-up, this Warranty will only be effective if the installation or start-up is included in the Product contract of sale and was performed by the seller or under its responsibility.
- 9.3.5. Damages or faults of the product due to any of the following causes:
 - Operation at salinities below 3 g/l of sodium chloride and/or temperatures lower than 15°C (59°F) or higher than 40°C (104°F).
 - Operation at pH above 7.6.
 - Use of chemical products not explicitly authorised.
 - Exposure to corrosive environments and/or temperatures below 0°C (32°F) or above 50°C (125°F).

IMPORTANT: le manuel d'instructions que vous avez entre les mains contient des informations de première importance sur les mesures de sécurité à adopter au moment de l'installation et de la mise en service. Il est par conséquent indispensable que l'installateur et l'utilisateur lisent attentivement les instructions avant de commencer le montage et la mise en marche. Conservez ce manuel en vue de futures consultations sur le fonctionnement de cet appareil.



Élimination de résidus de systèmes domestiques électriques et électroniques dans l'Union Européenne.

Tout produit marqué avec ce symbole indique qu'on ne peut pas éliminer avec le reste de résidus domestiques. Il est la responsabilité de l'utilisateur d'éliminer ce type de résidu en le déposant dans un point adéquat pour le recyclage sélectif de résidus électriques et électroniques. Le traitement adéquat et le recyclage de ces résidus contribue de manière essentielle à la conservation de l'Environnement et la santé des utilisateurs. Pour obtenir une information plus précise sur les points de récolte de ce type de résidus, contactez avec les autorités locales.

Pour obtenir un rendement optimal des Systèmes d'Électrolyse Saline Astralpool Chlore, il convient d'observer les instructions qui sont indiquées ci-après :

1. VÉRIFIEZ LE CONTENU DE L'EMBALLAGE:

À l'intérieur de la boîte, vous trouverez les accessoires suivants:

- Source d'alimentation
- Cellule d'électrolyse
- Manuel d'Opération

2. CARACTÉRISTIQUES GÉNÉRALES:

Une fois installé le système d'Électrolyse Saline Astralpool Chlore, il est nécessaire de dissoudre une quantité de sel dans l'eau. Cette eau saline circule à travers la cellule d'électrolyse située dans l'épuratrice. Le système d'électrolyse saline Astralpool Chlore comporte deux éléments: la cellule d'électrolyse et la source d'alimentation. La cellule d'électrolyse contient un nombre déterminé de plaques de titane (électrodes), de sorte que quand on applique un courant électrique et la solution saline passe à sa traversée, se produit chlore libre.

Le maintien d'un certain niveau de chlore dans l'eau de la piscine, garantira sa qualité sanitaire. Un système d'Électrolyse Saline Astralpool Chlore fabriquera chlore quand le système de recyclage de la piscine (bombe et filtre) seront opérationnels.

La source d'alimentation est dotée de divers dispositifs d'alarme qui s'activent en cas de fonctionnement anormal du système, tel qu'un système de contrôle de production contrôlé par microprocesseur.

Le système d'Électrolyse Saline Astralpool Chlore dispose d'un système automatique de nettoyage qui évite les incrustations de calcaire dans les électrodes.

DESCRIPTION	MODÈLE		
	SMART 30 - Code 42347	SMART 60 - Code 42348	SMART 100 - Code 42349
Tension de service standard	230 V AC, 50/60 Hz.		
Sortie (dc)	6 A	12 A	24 A
Production (g/h)	5 - 6	10 -12	20 -24
Détecteur de débit	Détecteur de gaz		
Rang de salinité / Température	4 - 6 g./l. / 15°C - 40°C		
Électrodes	Titane avec couverture AUTO-NETTOYANTE Temps de vie prévu: 8.000 - 10.000 heures de fonctionnement (suivant la qualité de l'eau) ⁽²⁾		
Contrôle de production	0 - 100 % (5 niveaux de production)		
Contrôle couverte	Entrée pour contact libre de potentiel Réduction de production à 10% de sa valeur nominale avec couverte fermée		
Inversion de polarité	Programmable 2 ⁽¹⁾ / 3 heures + mode test (jumper en plaque de contrôle)		
Contrôle externe	Entrée pour contact libre de potentiel habilitée au moyen jumper en plaque de contrôle Logique : ON (contact fermé)/OFF (contact ouvert)		
Protection niveau de sel	Protection automatique de production		

⁽¹⁾ Valeurs par défaut de fabrique

⁽²⁾ Dans conditions idéales : salinité (6 g/l), pH (7,2), dureté de l'eau (120 mg/l) et débit minimum.

3. MISES EN GARDE DE SÉCURITÉ ET RECOMMANDATIONS:

- Le système doit être installé par le personnel qualifié.
- Il faut respecter les normes en vigueur électriques et pour la prévention d'accidents.
- Le fabricant ne se responsabilisera en aucun cas du montage, de l'installation ou mise en fonctionnement ni de la manipulation ou incorporation de composants qui n'auront pas été réalisés dans ses installations.
- Les Systèmes de d'Électrolyse Saline Astralpool Chlore (42347, 42348, 42349) travaillent à 230VAC, 50/60 Hz. N'essayez pas de modifier le système pour travailler sous un autre voltage.
- S'assurer de réaliser des connexions firmes pour éviter de faux contacts lors du préchauffement.
- Avant de procéder à l'installation ou au remplacement de d'un certain composant, débrancher l'appareil du réseau électrique, et utilisez exclusivement des rechanges fournis par Astralpool.
- Étant donné que l'appareil génère de la chaleur, il est important de l'installer dans un endroit suffisamment aéré et de veiller à maintenir les orifices de ventilation dégagés de tout élément pouvant les obstruer. Veiller à ne pas l'installer près de matériaux inflammables.
- Les systèmes d'Électrolyse Saline AstralPool Chlore (42347, 42348, 42349) disposent d'un degré de protection IP24. Ils ne doivent en aucun cas être installés dans des endroits exposés aux inondations.
- Si l'équipement d'électrolyse ne dispose pas de détection de couverture, il est important de réduire la production de l'équipement au minimum, chaque fois que la couverture est déployée au-dessus de la piscine. Autrement, un excès de chlore pourrait se produire et endommager les matériaux de la piscine.

4. INSTALLATION:

4.1. Installation de la source d'alimentation

Toujours installer la SOURCE D'ALIMENTATION du système Astralpool Chlore de façon VERTICALE et sur une surface (mur) rigide de la même mode que sur le diagramme d'installation recommandée. Pour garantir son bon état de conservation, vous devez essayer de toujours installer l'équipement dans un endroit sec et bien ventilé. Le degré d'étanchéité de la SOURCE D'ALIMENTATION du système Astralpool Chlore ne permet pas son utilisation en plein air. La SOURCE D'ALIMENTATION devra préférablement être installée suffisamment loin de la cellule d'électrolyse de façon à ce qu'elle ne puisse pas subir d'éclaboussure d'eau accidentellement.

Très important: évitez la formation de milieux corrosifs dus aux solutions qui diminuent le pH (concrètement celles formulées avec acide chlorhydrique « HCl »). Ne pas installer jamais le système Astralpool Chlore près des lieux de stockage de ces produits. Nous recommandons spécialement l'utilisation de produits basés en bisulfate sodique ou acide sulfurique dilué

La connexion de la source d'alimentation au réseau électrique doit s'effectuer sur le cadrant de manoeuvre du épurateur, **de façon que la pompe et le système Astralpool Chlore se connectent de façon simultanée.**

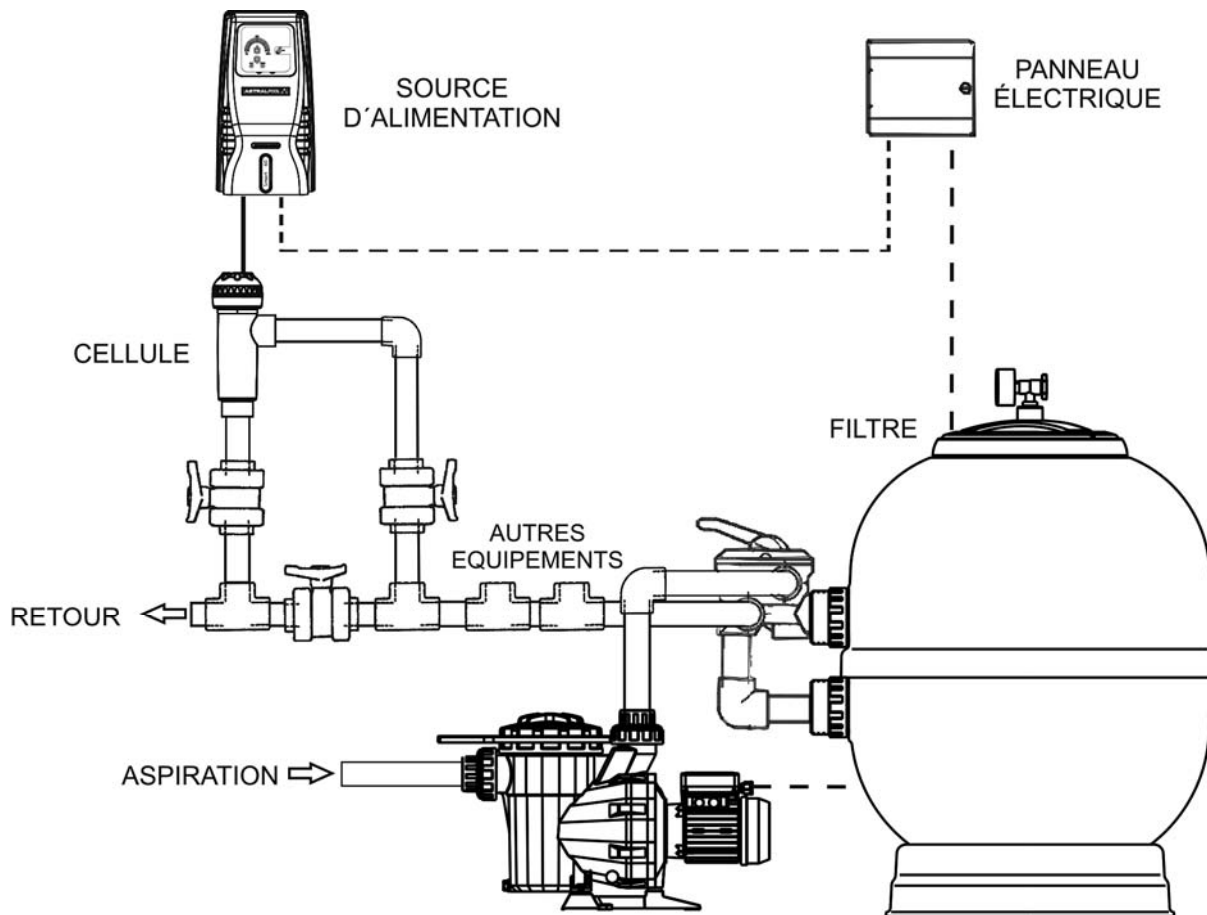


Fig.1 Diagramme d'installation recommandée.

4.2. Installation de la cellule d'électrolyse

La cellule d'électrolyse devra être installée dans un endroit à l'abri des intempéries et **toujours derrière le système de filtration**, en cas d'existence d'autres dispositifs dans l'installation tels que des pompes de chaleur, des systèmes de contrôle, etc.; ceux-ci devront toujours être placés avant le système d'électrolyse.

L'installation de la cellule devrait permettre l'accès facile de l'utilisateur aux électrodes installées. La cellule d'électrolyse doit toujours être située de mode VERTICALE dans un endroit de la canalisation qui puisse être isolé du reste de l'installation grâce à deux valves, de telle façon que les tâches d'entretien de celle-ci puissent être effectuées sans avoir besoin de vider entièrement ou partiellement la piscine.

Si la cellule s'installe en by-pass (option recommandée), vous devrez introduire une valve qui régule le débit à travers de celle-ci. Avant de procéder à l'installation définitive du système, les commentaires suivants doivent être pris en compte:

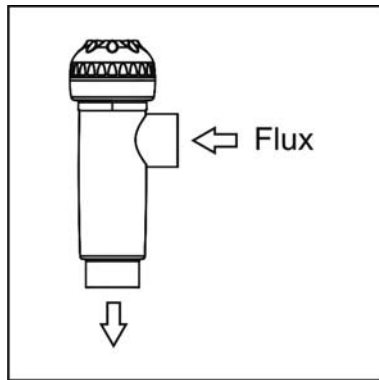


Fig.2

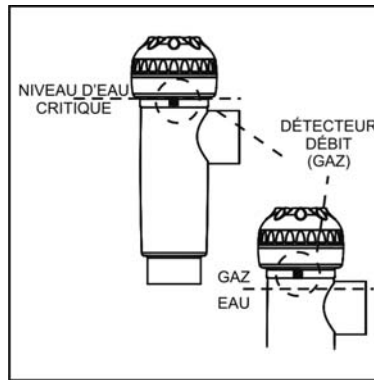


Fig.3

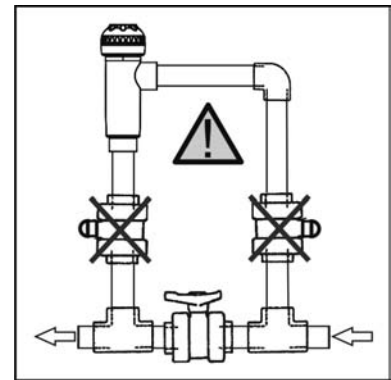


Fig.4

1. Le sens du fluide marqué sur la cellule doit être respecté. Le système de circulation doit garantir le débit minimal consigné dans le Tableau de Spécificités Techniques pour chaque modèle (voir Section 8).

2. Le système détecteur de flux (détecteur de gaz) s'active en cas de non circulation de l'eau à travers la cellule ou bien si le flux est très faible. La non-évacuation du gaz d'électrolyse génère une poche qui isole électriquement l'électrode auxiliaire (détection électronique). Par conséquent en introduisant les électrodes dans la cellule, la sonde de niveau (électrode auxiliaire) doit rester située dans la partie supérieure de celle-ci. La disposition la plus sûre est celle du diagramme d'installation recommandée.

3. **ATTENTION:** le détecteur de flux ne fonctionnera pas correctement, ce qui produira un risque de rupture de la cellule, si les valves d'entrée et de sortie de la canalisation où est installée la cellule d'électrolyse se ferment simultanément. Bien que cela reste une situation extrêmement inhabituelle, **elle peut être évitée en bloquant, une fois l'équipement installé, la valve de la sortie vers la piscine**, de mode qu'elle ne puisse être manipulée accidentellement.

D'autres installations seraient seulement acceptables si elles permettent la détection de débit faible ou nul.

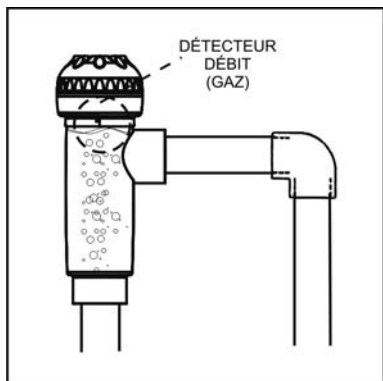


Fig.5

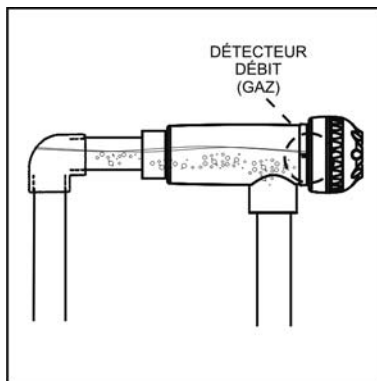


Fig.6

1. Installation recommandée

2. Installation permise (non recommandée)

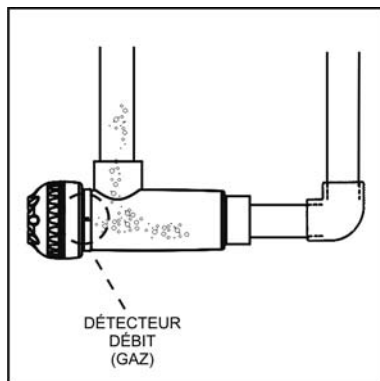


Fig.7

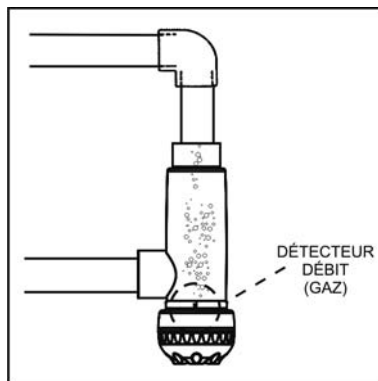


Fig. 8

3. Installations non permises

Les électrodes devront être introduites à l'intérieur de la cellule d'électrolyse en emboîtant l'électrode centrale de l'ensemble au moyen des guides situés dans la partie supérieure ou inférieure du corps de celle-ci.

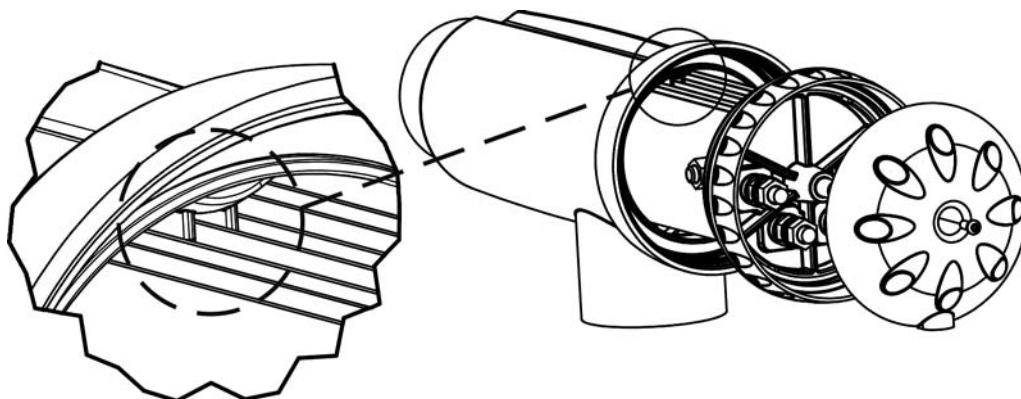
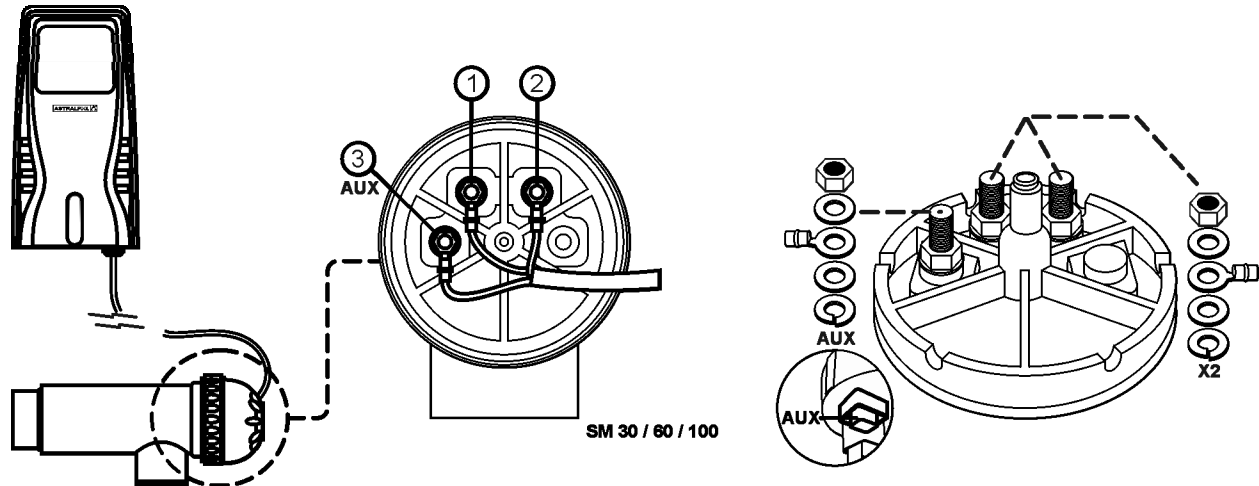


Fig. 9a

4.3. Connexions électriques de la cellule d'électrolyse

Réaliser l'interconnexion entre la cellule d'électrolyse et la source d'alimentation selon le schéma suivant. Dû à l'intensité relativement élevée du courant qui circule dans les câbles d'alimentation de la cellule d'électrolyse, la longueur et la section de ceux-ci ne doivent en aucun cas être modifiés sans consulter au préalable votre distributeur agréé ASTRALPOOL. Le câble de connexion cellule-source d'alimentation ne doit jamais dépasser la longueur maximale recommandée dans ce Manuel: Smart 30 / 42347, 15 m.; Smart 60 / 42348, 7.5 m.; Smart 100 / 42349, 4 m.

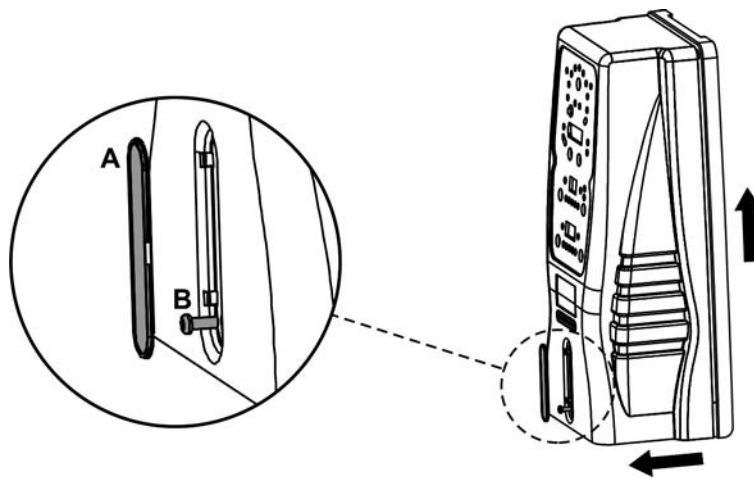


- 1.- Électrode 1 (rouge)
- 2.- Électrode 2 (rouge)
- 3.- Détecteur flux (jaune)

Fig. 9b

4.4 Désassemblage du couvercle

1. Enlever l'enjoliveur (A) situé à la partie frontale du couvercle.
2. Dévisser la vis de fixation (B).
3. Enlever le couvercle en glissant vers le haut et vers dehors.



4.5. Contrôles et indicateurs

Les systèmes d'Électrolyse de Sel AstralPool Chlore sont équipés d'un tableau de commande situé sur la partie avant (Fig. 10).

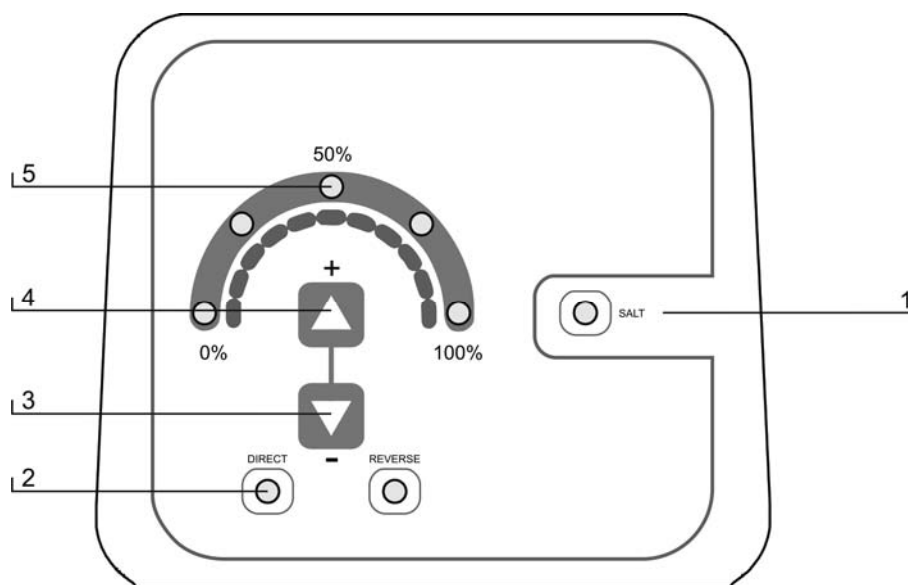


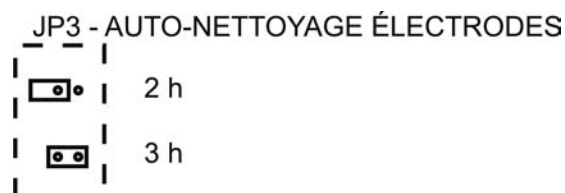
Fig. 10

1. Alarme de SALINITÉ.
2. Indicateurs AUTO-NETTOYAGE (polarité DIRECTE/INVERSE)
3. Touche « - » (diminuer production)
4. Touche « + » (augmenter production)
5. Indicateur de production 0 ... 100 %

4.5. Programmation et contrôle

En plus des opérations de base, le Système d'Électrolyse de Sel AstralPool Chlore Smart dispose d'une entrée pour contrôle externe au moyen d'un contrôleur ORP, chlore résiduel, etc.; ainsi que d'une autre pour le réglage de la production de l'équipement lors de l'activation de la couverture automatique de la piscine. Il permet en outre la configuration de trois modes d'AUTONETTOYAGE des électrodes : TEST, 2/2, 3/3 heures.

- **Système d'AUTONETTOYAGE DES ÉLECTRODES :** les leds [2] indiquent l'état de polarisation des électrodes (directe/inverse). La fréquence d'inversion peut être sélectionnée au moyen du jumper « JP3 » situé dans la carte de contrôle du système (Fig. 11-12).



Smart 30 / 60

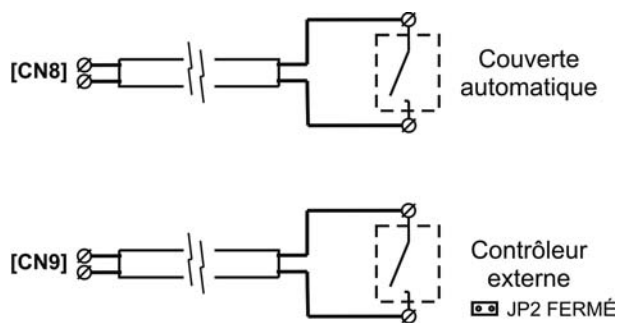
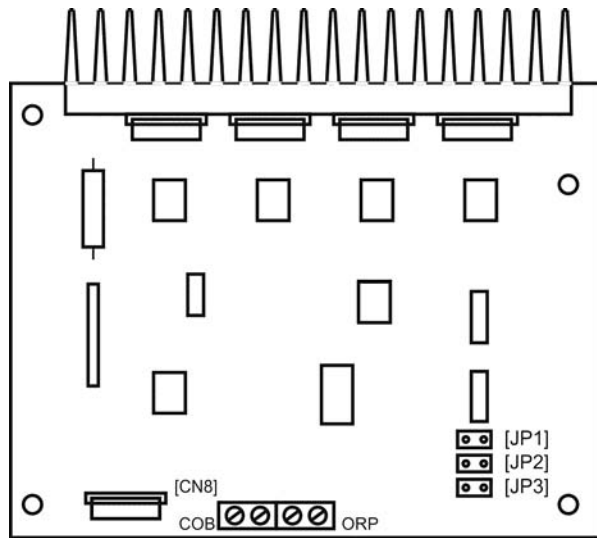


Fig. 11

Smart 100

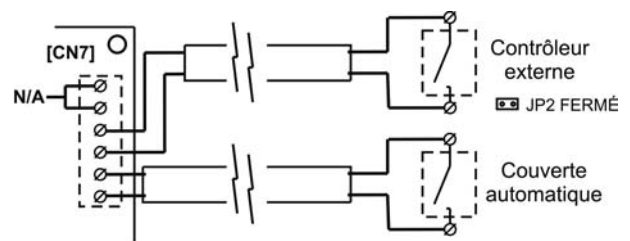
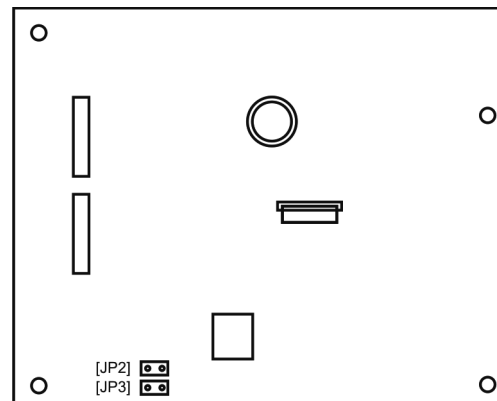
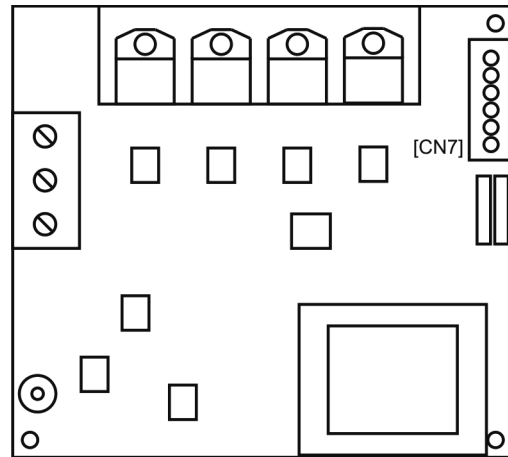
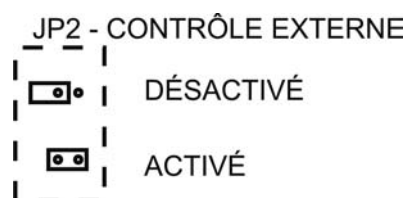


Fig. 12

- **Contrôle COUVERTE AUTOMATIQUE :** le système dispose d'une entrée pour contact libre de tension **[COB]**. Lorsque le contact connecté à cette entrée se ferme (couverture automatique FERMÉE), le système d'électrolyse réduit sa production à 10% de sa valeur nominale.
- **Contrôle EXTERNE:** le système dispose d'une entrée auxiliaire supplémentaire pour contact libre de tension **[ORP]**. Cette entrée peut être utilisée pour l'interaction du système d'électrolyse avec un contrôleur externe (ORP, CHLORE RÉSIDUEL, PHOTOMÈTRE, etc.). Lorsque le contact connecté à cette entrée est OUVERT, le système d'électrolyse s'arrête. Pour activer cette entrée, il faut mettre en place le jumper « **JP2** » situé sur la carte de contrôle de l'unité.



4.7. Mise en marche

1. S'assurer que le filtre est propre à 100%, et que la piscine et l'installation ne contiennent ni cuivre, ni fer, ni algues. Tout équipement de chauffage installé doit être compatible avec la présence de sel dans l'eau.
2. Équilibrer l'eau de la piscine. Ceci nous permettra d'obtenir un traitement plus efficace avec une concentration plus faible de chlore libre dans l'eau, ainsi qu'un fonctionnement prolongé des électrodes et une moindre formation de dépôts calcaires dans la piscine:

a) Le pH doit être de 7.2-7.6

b) L'alcalinité totale doit être de 60-120 ppm.

3. Bien que le système AstralPool Chlore Smart puisse fonctionner avec une plage de salinité de 4 - 6 g/l, il convient d'essayer de maintenir le niveau minimum de sel recommandé de 5 g/l, en ajoutant 5 Kg. pour chaque m³ d'eau si l'eau ne contenait pas de sel au préalable. Toujours utiliser du sel commun (chlorure de sodium), sans additifs tels que iodures ou anti-compactants, et qui soit apte à la consommation humaine. Ne jamais ajouter le sel à travers la cellule. Ajouter-la directement à la piscine ou dans le vaisseau de compensation (loin du drain de la piscine).

4. En ajoutant le sel, et dans le cas où la piscine va être utilisée de façon immédiate, effectuer un traitement avec chlore. Comme dose initiale, on peut ajouter 2 g/m³ d'acide trichloroisocyanurique.

5. Avant de commencer le cycle de travail, déconnecter la source d'alimentation et mettre en marche la pompe de l'épurateur pendant 24 heures pour garantir la dissolution complète du sel.

6. Ensuite, mettre en marche le système d'électrolyse saline, en situant le niveau de production de façon que le niveau de chlore libre se maintienne aux niveaux recommandés (0.5 - 1.5 ppm).

NOTE : pour pouvoir déterminer le niveau de chlore libre vous devrez employer un kit d'analyse.

7. Dans des piscines à forte insolation ou d'utilisation intensive, il est conseillé de maintenir un niveau de 25-30 g./m³ de stabilisant (acide isocyanurique). Dans aucun cas, on devra dépasser un niveau de 75 g/m³. Ceci servira d'appui grande aide pour éviter la destruction du chlore libre présent dans l'eau par l'action de la lumière solaire.

5. FONCTIONNEMENT:

5.1. Système arrêté

Le système entre en mode « ATTENTE » lorsque l'on appuie plusieurs fois sur la touche « - » [3] jusqu'à ce que le led de « 0 % » clignote. Dans cette situation, il n'y a pas de production dans la cellule d'électrolyse.

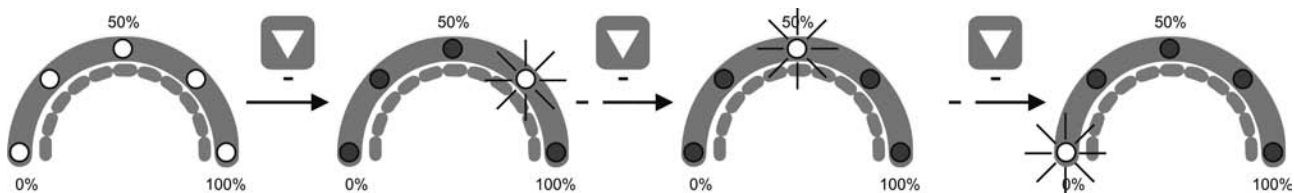


Fig. 13

5.2. Sélection du niveau de production

Pour sélectionner le niveau de production désiré, appuyer plusieurs fois sur les touches « + » [4] ou « - » [3] jusqu'à ce que le led correspondant au niveau de production désiré clignote. Après quelques secondes, le système situera sa production au niveau sélectionné.

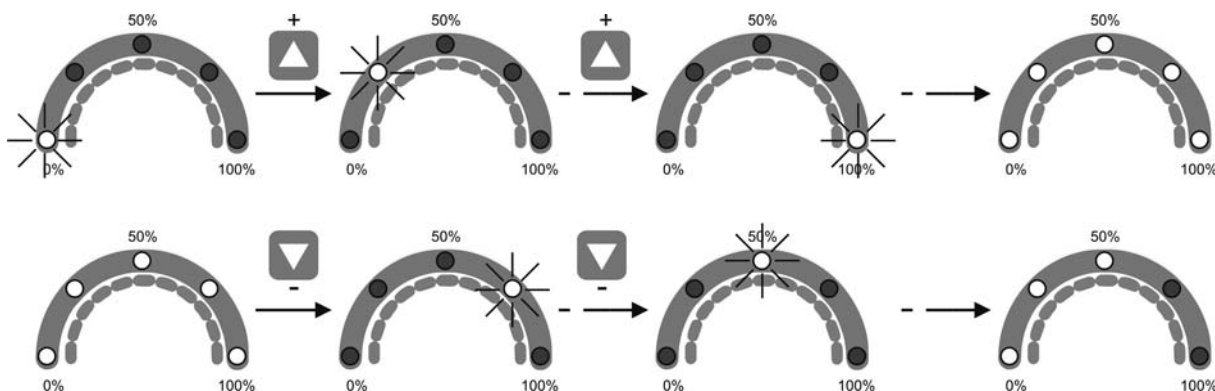


Fig. 14



MODE HIVER: pendant les périodes de température faible de l'eau et où la demande de chlore sera faible, sélectionnez un niveau de production [1] de 50%. Cela permettra d'optimiser la consommation d'énergie et la durée de l'ensemble de électrodes.

5.3. Mode TEST

Pour entrer en MODE TEST, baisser le niveau de production à « 0 % » en appuyant plusieurs fois sur la touche « - » [3] (Fig. 13)

Une fois le système arrêté, maintenir cette touche appuyée pendant 5 secondes. Le système indiquera qu'il est entré en MODE TEST en illuminant tous les leds pendant une seconde.

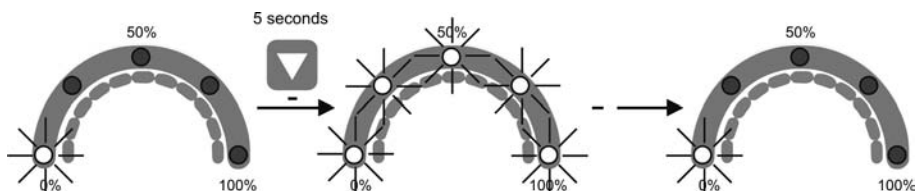


Fig. 15

Lorsque le système entre en MODE TEST, il met à zéro le temporisateur de changement de polarité et le niveau de production sélectionné. Dans ce mode, le système est totalement opérationnel, les inversions de polarités des électrodes s'effectuant **toutes les 2 minutes**. Pour quitter le MODE TEST, il faudra couper l'alimentation de 230 V du système.

Lorsque le système se trouve en MODE TEST, le led indicateur de polarité « DIRECT - REVERSE » [2], clignote.

5.4. Alarmes

- **HAUT NIVEAU DE SEL**

Dans le cas où l'on aurait ajouté trop de sel, la source d'alimentation diminuera automatiquement le niveau de puissance par rapport au niveau sélectionné. Le led « SALT » [1] restera illuminé. Dans ce cas, vider une partie de la piscine (par exemple, environ 10%), et ajouter de l'eau fraîche pour diminuer la concentration de sel. Pour une connaissance précise du niveau de sel, nous recommandons d'utiliser un appareil de mesure portable de salinité-température.

- **FAIBLE NIVEAU DE SEL**

Dans le cas où le niveau de sel dans l'eau de la piscine serait inférieur au niveau recommandé, la source d'alimentation ne pourra pas atteindre le niveau de sortie sélectionné. Le led « SALT » [1] clignotera. Il est possible que le système indique valeurs de salinité inférieures à la réalité, si la température est inférieure à 20°C ou si l'électrode a atteint la fin de sa vie utile. Dans ce cas, déterminer le niveau de salinité de l'eau et ajouter la quantité de sel nécessaire. Le type de sel commun (NaCl) indiqué pour électrolyse saline ne doit pas présenter d'additifs (antiagglomérants, iodures) et doit être apte à la consommation humaine. Pour une connaissance précise du niveau de sel, nous recommandons d'utiliser un appareil de mesure portable de salinité-température.

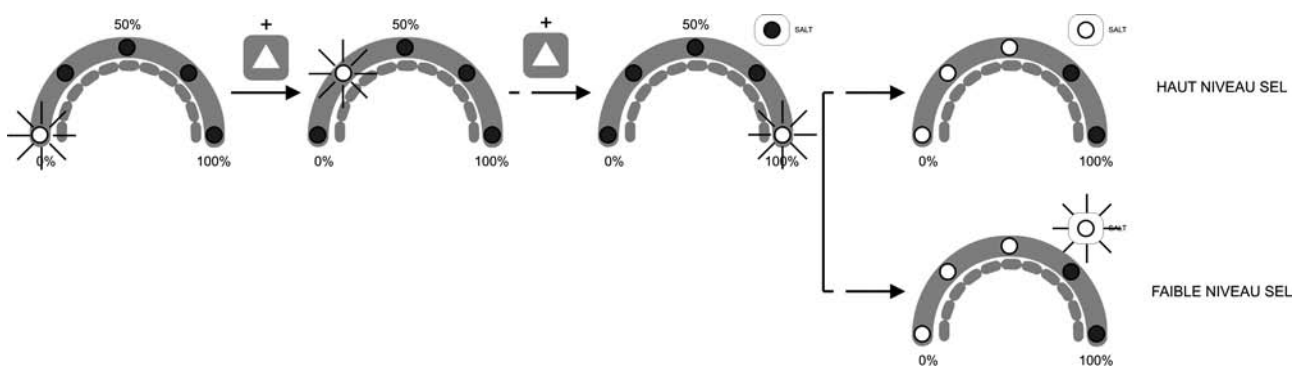


Fig. 16

- **NIVEAU D'EAU DANS LA CELLULE/DÉTECTEUR DE DÉBIT (GAZ)**

Si à un moment quelconque se forme une bulle d'air ou de gaz dans la partie supérieure de la cellule d'électrolyse et que le DÉTECTEUR DE DÉBIT n'est pas immergé, le système déconnectera automatiquement la sortie de courant vers les électrodes et tous les leds du système clignoteront. Le système se réarme automatiquement une fois que le passage de l'eau est rétabli dans la cellule et que la bulle est évacuée.

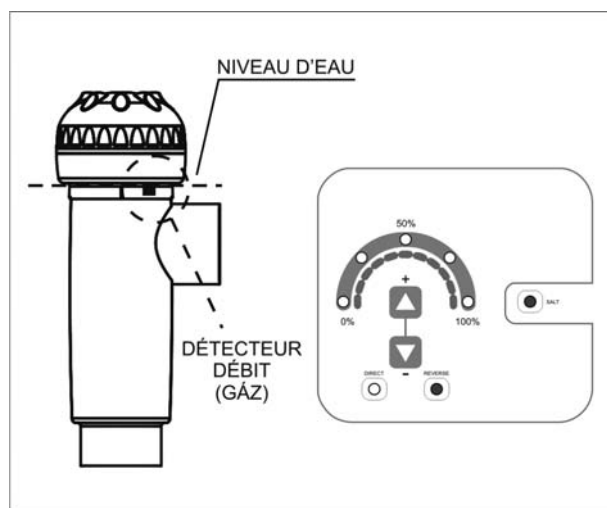


Fig. 17

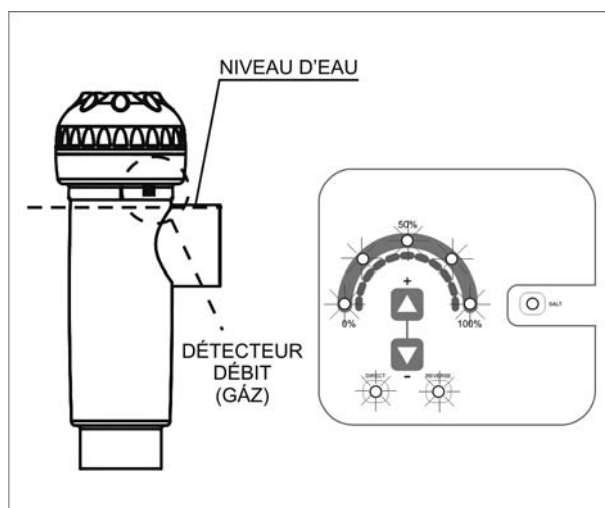


Fig. 18

1. Détecteur de gaz immergé. Système opérationnel.

2. Gaz détecté. Système arrêté.

6. ENTRETIEN:

La célula debe mantenerse en condiciones adecuadas para asegurar un largo tiempo de funcionamiento. El sistema de electrolisis salina dispone de un sistema de limpieza automática de los electrodos. Evita que se formen incrustaciones calcáreas sobre los mismos, por lo que no es previsible que sea necesario efectuar limpieza alguna de los mismos. No obstante, si fuese necesario efectuar la limpieza en el interior de la célula, proceder de la siguiente forma:

1. Arrêtez le système d'électrolyse et le reste d'équipement de la piscine.
2. Fermez les valves et videz la cellule d'électrolyse.
3. Dévisser l'écrou de fermeture situé aux extrémités où se trouvent les électrodes, et extraire le paquet d'électrodes.
4. Utiliser une solution diluée d'acide chlorhydrique (une dose de acide dans 10 doses d'eau), en submergeant le paquet d'électrodes dans celle-ci pendant 10 minutes maximum.
5. NE JAMAIS GRATTER OU BROSSER LA CELLULE OU LES ELECTRODES.

Il faut tenir compte du fait que les électrodes d'un système d'électrolyse saline sont constituées de lames de titane recouvertes d'une couche d'oxyde de métaux nobles. Les procédés d'électrolyse qui ont lieu sur sa surface produisent son usure progressive, c'est pourquoi afin d'optimiser le temps de durée des électrodes, il est important de tenir compte des aspects suivants:

1. Bien qu'il s'agisse de systèmes d'électrolyse saline AUTONETTOYANTS, un fonctionnement prolongé du système avec des valeurs de pH supérieures à 7,6 dans des eaux d'une dureté élevée peut produire l'accumulation de dépôts calcaires sur la surface des électrodes. Ces dépôts détérioreront progressivement la couverture, occasionnant une diminution de son temps de vie utile.
2. Ne pas effectuer trop fréquemment des lavements du paquet d'électrodes comme ceux décrits antérieurement.
3. Le fonctionnement prolongé du système à des salinités inférieures à 3 g/l occasionne une détérioration prématurée des électrodes.
4. L'utilisation fréquente de produits algicides à contenus élevés en cuivre peut provoquer un dépôt de celui-ci sur les électrodes, détériorant progressivement la couverture. Pensez que le meilleur algicide est le chlore.

7. SOLUTION DE PROBLÈMES:

Il faut toujours débrancher l'appareil du réseau électrique avant d'entreprendre toute action requise pour y solutionner de possibles problèmes. Tout problème qui n'est pas envisagé dans la liste suivante devra être résolu par un technicien agréé d'AstralPool.

PROBLEME	SOLUTION
L'indicateur de production indique toujours « 0 » dans tout niveau de production choisi.	Vérifier l'état des électrodes. Vérifier les connexions électriques entre la source d'alimentation et la cellule d'électrolyse. Vérifier la concentration de sel.
La source d'alimentation ne se connecte pas	Vérifier que le système est convenablement alimenté à 230 V/ 50-60 Hz depuis le cadran de manoeuvre de l'épurateur. Vérifier l'état du fusible situé sur la partie inférieure de la source d'alimentation.
Le niveau de chlore dans la piscine est faible.	Vérifier que le système produit du chlore dans le retour de la piscine. Vérifier que les paramètres chimiques de l'eau (pH, chlore combiné, acide isocyanurique) sont corrects. Augmenter le temps de filtration. Ajouter stabilisant (acide isocyanurique) jusqu'à atteindre une concentration de 25-30 g./m ³ .

8. CARACTERISTIQUES TECHNIQUES:

SPÉCIFICATIONS TECHNIQUES:

Tension de service standard

230V AC - 50/60 Hz.
 Câble: 3 x 1.5 mm², long. 2 m.
 Smart 30 / 42347 0,18 A
 Smart 60 / 42348 0,36 A
 Smart 100 / 42349 0.72 A

Fusible

Smart 30 / 42347 1 A T (5x20 mm)
 Smart 60 / 42348 2 A T (5x20 mm)
 Smart 100 / 42349 3,15 A T (5x20 mm)

Voltage sortie

9 V DC / Câble: 3 x 4 mm², long. 2 m.
 Smart 30 / 42347 - 6 A (2x3 A)
 Smart 60 / 42348 - 12 A (2x6 A)
 Smart 100 / 42349 - 24 A (2x12 A)

Production

Smart 30 / 42347 5 - 6 g./h.
 Smart 60 / 42348 10 - 12 g./h.
 Smart 100 / 42349 20 - 24 g./h.

Débit recirculation minimum

Smart 30 / 42347 1 m³/h.
 Smart 60 / 42348 2 m³/h.
 Smart 100 / 42349 4 m³/h.

Nombre électrodes

Smart 30 / 42347 3
 Smart 60 / 42348 5
 Smart 100 / 42349 7

Poids net

Smart 30 / 42347 9 Kg.
 Smart 60 / 42348 11 Kg.
 Smart 100 / 42349 13 Kg.

CARACTÉRISTIQUES GÉNÉRALES:

Système de contrôle

- Microprocesseur.
- Clavier de membrane avec deux boutons de contrôle et voyants indicateurs de fonctionnement
- E/S contrôle: 2 entrées type contacte libre de potentiel pour état couverte automatique et contrôleur externe (ORP, CHLORE RÉSIDUEL, etc.).
- Sortie cellule: contrôle de production (5 niveaux discrets).
- Rang de salinité / Température: 4 ... 6 g/l. / 15°C - 40°C.

Auto-limpeza

Inversion de polarité automatique

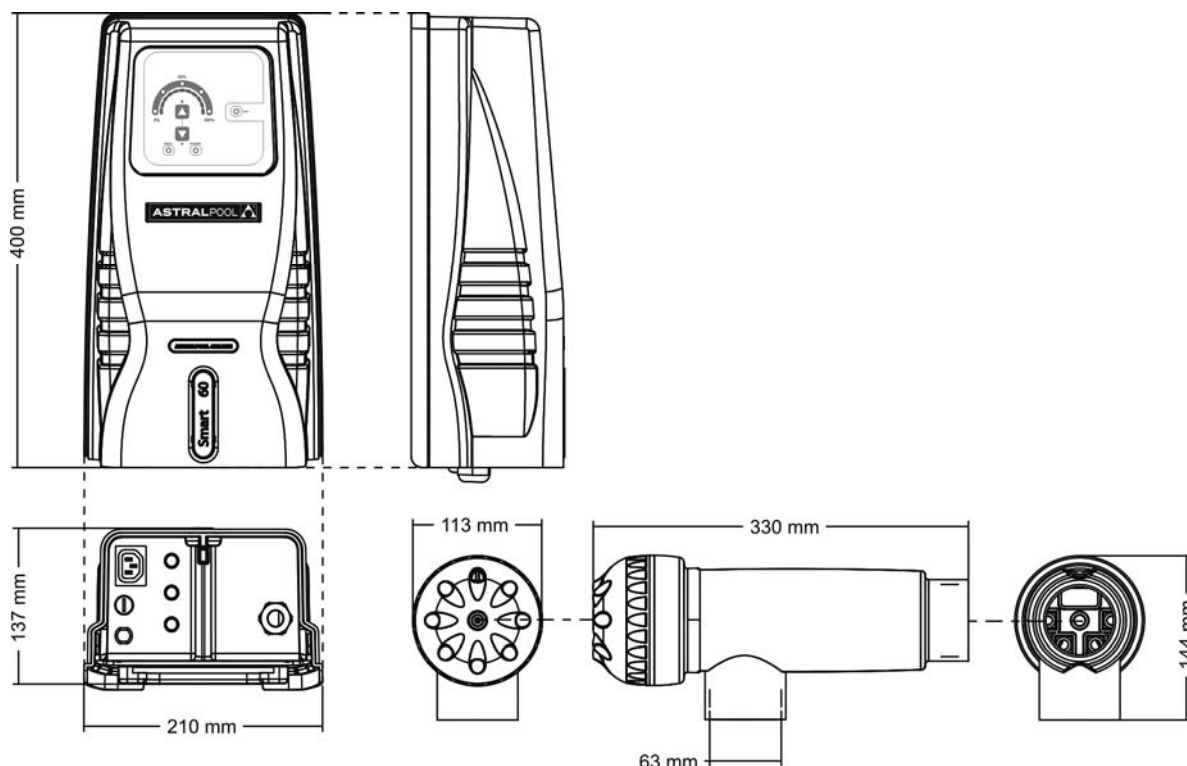
Température de travail

0°C à +40°C
 Réfrigération: convection naturel

Matériel

- Source d'alimentation
- ABS bleu
 - Aluminium
- Cellule d'électrolyse
- Métacrylate bleu

Dimensions



9. CONDITIONS DE GARANTIE

9.1. ASPECTS GÉNÉRAUX

- 9.1.1. Conformément à ces dispositions, le vendeur garantit que le produit correspondant à cette garantie ne présente aucun défaut de conformité au moment de sa livraison.
- 9.1.2. La période de garantie totale pour le produit est de 2 ANS, et elle sera calculée à partir de la livraison à l'acheteur. L'électrode est couverte par une garantie de 2 ANS (ou 3.000 heures), sans extensions.
- 9.1.3. En cas de défaut de conformité du produit et si l'acheteur le notifie au vendeur pendant la période de garantie, le vendeur devra réparer ou remplacer le produit à ses frais et à l'endroit qu'il considère opportun, sauf si cela est impossible ou manifestement disproportionné.
- 9.1.4. Lorsqu'il est impossible de réparer ou de remplacer le produit, l'acheteur pourra demander une réduction proportionnelle du prix, ou, si le défaut de conformité est suffisamment important, la résiliation du contrat de vente.
- 9.1.5. Les parties remplacées ou réparées en vertu de cette garantie n'allongeront pas le délai de la garantie du produit original, mais disposeront de leur propre garantie.
- 9.1.6. Pour l'effectivité de la présente garantie, l'acheteur devra justifier la date d'acquisition et de livraison du produit.
- 9.1.7. Lorsque plus de six mois se sont écoulés depuis la livraison du produit à l'acheteur et que celui-ci invoque un défaut de conformité de ce produit, l'acheteur devra justifier l'origine et l'existence du défaut invoqué.
- 9.1.8. Le présent Certificat de Garantie ne limite ni ne préjuge les droits qui correspondent aux consommateurs en vertu de normes nationales à caractère impératif.

9.2. CONDITIONS PARTICULIÈRES

- 9.2.1. Pour l'effectivité de cette garantie, l'acheteur devra suivre strictement les indications du fabricant, comprises dans la documentation qui accompagne le produit, pour autant qu'elle soit applicable en fonction de la gamme et du modèle du produit.
- 9.2.2. Lorsqu'un calendrier est indiqué pour le remplacement, la maintenance ou le nettoyage de certaines pièces ou de certains composants du produit, la garantie sera valable uniquement si ce calendrier a été respecté.

9.3. LIMITATIONS

- 9.3.1. La présente garantie sera uniquement d'application pour les ventes réalisées aux consommateurs, ce terme de « consommateur » correspondant à toute personne qui acquiert le produit à des fins n'entrant pas dans le cadre de son activité professionnelle.
- 9.3.2. Aucune garantie n'est octroyée en ce qui concerne l'usure normale par utilisation du produit ni en ce qui concerne les pièces, composants et/ou matériaux fongibles ou consommables (à exception de l'électrode).
- 9.3.3. La garantie ne couvre pas les cas où le produit : (i) a été l'objet d'un traitement incorrect ; (ii) a été vérifié, réparé, entretenu ou manipulé par une personne non autorisée ; (iii) a été réparé ou entretenu avec des pièces non originales ou (iv) a été installé ou mis en marche de manière incorrecte.
- 9.3.4. Lorsque le défaut de conformité du produit est la conséquence d'une installation ou d'une mise en marche incorrectes, la présente garantie sera seulement effective lorsque ladite installation ou mise en marche est incluse dans le contrat de vente du produit et a été réalisée par le vendeur ou sous sa responsabilité.
- 9.3.5. Dommages ou défauts du produit dus à une des causes suivantes :
 - Fonctionnement à salinités inférieures à 3 g./l. de chlorure de sodium et/ou températures inférieures à 15°C ou supérieures à 40°C.
 - Fonctionnement à pH supérieur à 7,6.
 - Emploi de produits chimiques non explicitement autorisés.
 - Exposition à des environnements corrosifs et/ou à des températures inférieures à 0°C ou supérieures à 50°C.

IMPORTANTE: El manual de instrucciones que usted tiene en sus manos, contiene información fundamental acerca de las medidas de seguridad a adoptar a la hora de la instalación y la puesta en servicio. Por ello, es imprescindible que tanto el instalador como el usuario lean las instrucciones antes de pasar al montaje y puesta en marcha. Conserve este manual para futuras consultas acerca del funcionamiento de este aparato.



Tratamiento de equipos eléctricos y electrónicos después de su vida útil (sólo aplicable en la U.E.)

Todo producto marcado con este símbolo indica que no puede eliminarse junto con el resto de residuos domésticos una vez finalizada su vida útil. Es responsabilidad del usuario eliminar este tipo de residuo depositándolos en un punto adecuado para el reciclado selectivo de residuos eléctricos y electrónicos. El adecuado tratamiento y reciclado de estos residuos contribuye de forma esencial a la conservación del Medio Ambiente y la salud de los usuarios. Para obtener una información más precisa sobre los puntos de recogida de este tipo de residuos, póngase en contacto con las autoridades locales.

Para conseguir un óptimo rendimiento de los Sistemas de Electrólisis de Sal es conveniente seguir las instrucciones que se indican a continuación:

1. COMPRUEBE EL CONTENIDO DEL EMBALAJE:

En el interior de la caja encontrará los siguientes accesorios:

- Fuente de alimentación
- Célula de electrolisis
- Manual del equipo

2. CARACTERISTICAS GENERALES:

Una vez instalado su sistema de Electrólisis de Sal AstralPool Chlore, es necesario disolver una cantidad de sal en el agua. Este agua salina circula a través de la célula de electrolisis situada en la depuradora. El sistema de Electrólisis de Sal AstralPool Chlore consta de dos elementos: una célula de electrolisis y una fuente de alimentación. La célula de electrolisis contiene un número determinado de placas de titanio (electrodos), de forma que cuando se hace circular a través de los mismos una corriente eléctrica y la solución salina pasa a su través, se produce cloro libre.

El mantenimiento de un cierto nivel de cloro en el agua de la piscina, garantizará su calidad sanitaria. El sistema de Electrólisis de Sal AstralPool Chlore fabricará cloro cuando el sistema de recirculación de la piscina (bomba y filtro) estén operativos.

La fuente de alimentación dispone de varios dispositivos de seguridad, los cuales se activan en caso de un funcionamiento anómalo del sistema, así como de un microcontrolador de control.

Los sistemas de Electrólisis de Sal AstralPool Chlore disponen de un sistema de limpieza automático de los electrodos que evita la formación de incrustaciones en los mismos.

DESCRIPCION	MODELO		
	SMART 30 - Código 42347	SMART 60 - Código 42348	SMART 100 - Código 42349
Tensión de servicio	230 V AC, 50/60 Hz.		
Salida (dc)	6 A	12 A	24 A
Producción (g/h)	5 - 6	10 -12	20 -24
Detector flujo	Detector gas		
Rango de salinidad / Temperatura	4 - 6 g./l. / +15 - 40°C		
Electrodos	Titanio con recubrimiento AUTO-LIMPIANTE Duración estimada: 8.000 - 10.000 horas de funcionamiento (en función de tipo de agua) ⁽²⁾		
Control producción	0 - 100 % (5 niveles de producción)		
Control cobertor	Entrada para contacto libre de tensión Reducción de producción al 10% de su valor nominal con cobertor cerrado		
Inversión polaridad	Programable 2 ⁽¹⁾ / 3 horas + modo test (jumper en placa de control)		
Control externo	Entrada para contacto libre de tensión habilitada mediante jumper en placa de control Lógica: ON (contacto cerrado) / OFF (contacto abierto)		
Protección nivel de sal	Protección automática de la corriente de salida		

⁽¹⁾ Configuración fábrica.

⁽²⁾ En condiciones ideales: salinidad (6 g/l), pH (7.2), dureza agua (120 mg/l) and caudal mínimo.

3. ADVERTENCIAS DE SEGURIDAD Y RECOMENDACIONES:

- El montaje o manipulación deben ser efectuados por personal debidamente cualificado.
- Se deben respetar las normas vigentes para la prevención de accidentes, así como para las instalaciones eléctricas.
- El fabricante en ningún caso se responsabiliza del montaje, instalación o puesta en funcionamiento, así como de cualquier manipulación o incorporación de componentes que no se hayan llevado a cabo en sus instalaciones.
- Los sistemas de Electrolisis de Sal AstralPool Chlore (42347, 42348, 42349) operan a 230 V AC / 50-60 Hz. No intente alterar la fuente de alimentación para operar a otro voltaje.
- Asegúrese de realizar conexiones eléctricas firmes para evitar falsos contactos, con el consiguiente recalentamiento de los mismos.
- Antes de proceder a la instalación o sustitución de cualquier componente del sistema asegúrese que éste ha quedado previamente desconectado de la tensión de alimentación, y utilice exclusivamente repuestos suministrados por AstralPool..
- Debido a que el equipo genera calor, es importante instalarlo en un lugar suficientemente ventilado y procurar mantener los orificios de ventilación libres de cualquier elemento que los pueda obstruir. Procurar no instalarlo cerca de materiales inflamables.
- Los sistemas de Electrolisis de Sal AstralPool Chlore (42347, 42348, 42349) disponen de un grado de protección IP24. En ningún caso, deben ser instalados en zonas expuestas a inundaciones.
- Si el equipo de electrólisis no dispone de detección de cubierta, es importante reducir la producción del equipo al mínimo, siempre que la cubierta esté desplegada sobre la piscina. De otro modo, podría producirse un exceso de cloro que podría degradar los materiales de la piscina.

4. INSTALACION:

4.1. Instalación de la fuente de alimentación

Instalar siempre la FUENTE DE ALIMENTACIÓN del sistema Astralpool Chlore de forma VERTICAL y sobre una superficie (pared) rígida tal y como se muestra en el diagrama de instalación recomendada (Fig. 1). Para garantizar su buen estado de conservación, debe procurarse instalar siempre el equipo en un lugar seco y bien ventilado. El grado de estanqueidad de la FUENTE DE ALIMENTACION del sistema AstralPool Chlore no permite su instalación a la intemperie. LA FUENTE DE ALIMENTACION debería ser preferiblemente instalada lo suficientemente alejada de la célula de electrolisis de forma que no pueda sufrir salpicaduras de agua de forma accidental.

De manera especial, evite la formación de ambientes corrosivos debidos a las soluciones minoradoras del pH (concretamente las formuladas con ácido clorhídrico "HCl"). No instale el sistema AstralPool Chlore cerca de los lugares de almacenamiento de estos productos. Recomendamos encarecidamente el uso de productos basados en bisulfato sódico o ácido sulfúrico diluido. La conexión de la fuente de alimentación a la red eléctrica debe efectuarse en el cuadro de maniobra de la depuradora, de forma que la bomba y el sistema ASTRALPOOL se conecten de forma simultánea.

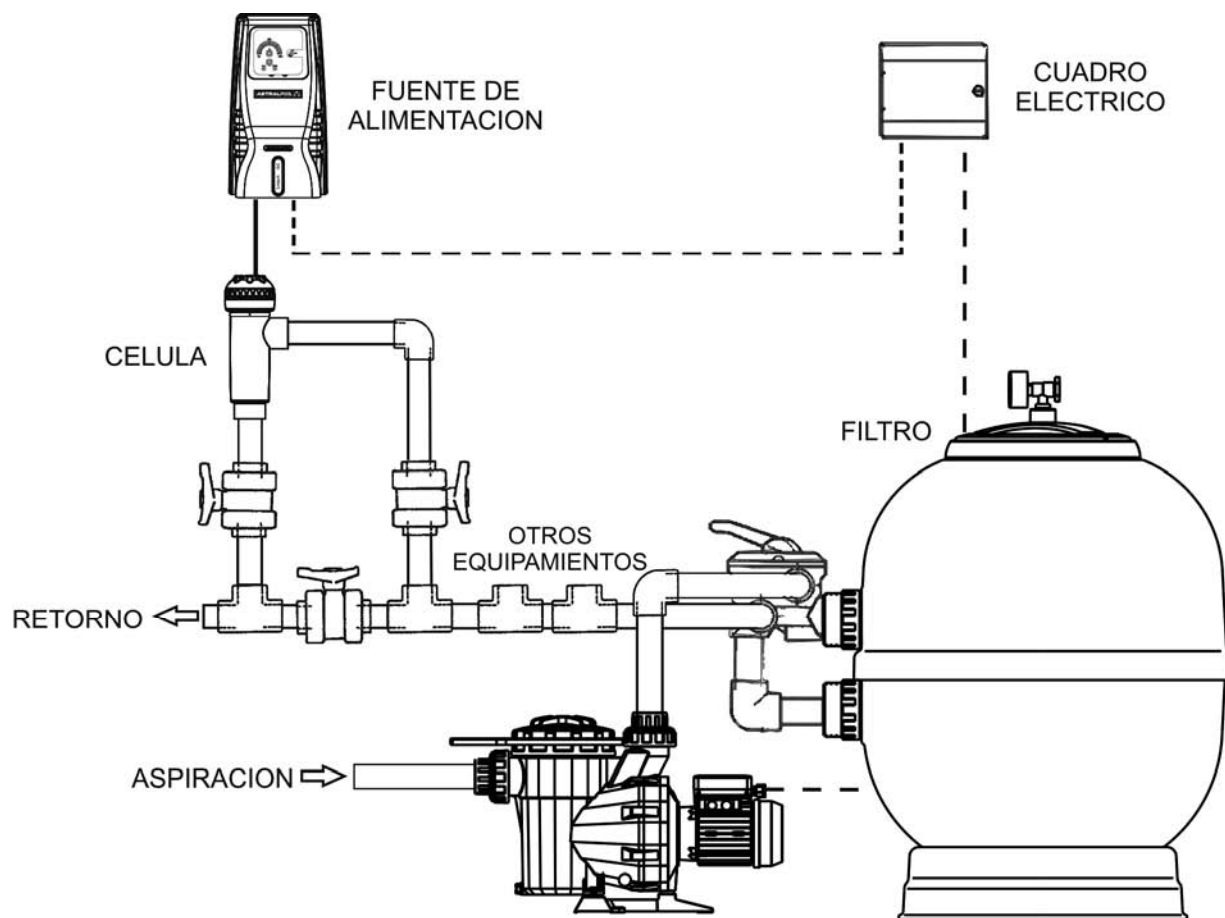


Fig. 1 Diagrama de instalación recomendada

4.2. Instalación de la célula de electrolisis

La célula de electrolisis está fabricada de un polímero transparente en cuyo interior se alojan los electrodos. La célula de electrolisis debería instalarse en un lugar protegido de la intemperie y **siempre detrás del sistema de filtración**, y de cualquier otro dispositivo en la instalación como bombas de calor, sistemas de control, etc.; estos deberían situarse siempre antes del sistema de electrolisis.

La instalación de la misma debería permitir el fácil acceso del usuario a los electrodos instalados. La célula de electrolisis siempre debe situarse, preferentemente, de forma **VERTICAL** en un lugar de la tubería que pueda ser aislado del resto de la instalación mediante dos válvulas, de tal modo que se puedan efectuar las tareas de mantenimiento de la misma sin necesidad de vaciar total o parcialmente la piscina.

En caso de que la célula se instale en by-pass (opción recomendada), se deberá introducir una válvula que regule el caudal a través de la misma. Antes de proceder a la instalación definitiva del sistema se deberían tener en cuenta los siguientes comentarios:

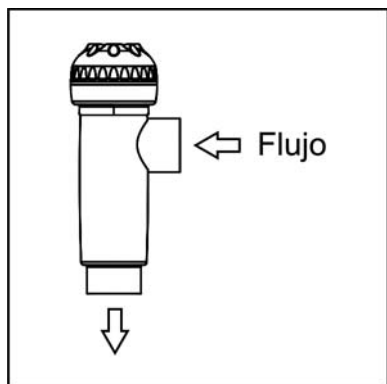


Fig.2

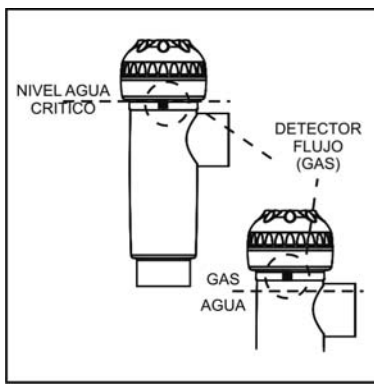


Fig.3

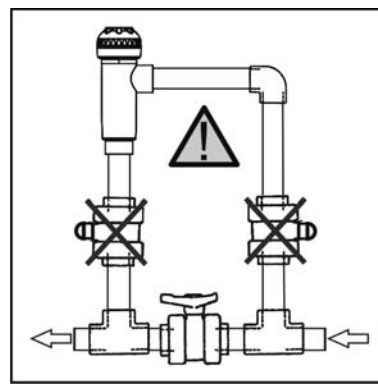


Fig.4

1. Debe respetarse el sentido de flujo marcado en la célula. El sistema de recirculación debe garantizar el caudal mínimo consignado en la Tabla de ESPECIFICACIONES TECNICAS anterior para cada modelo (ver. Apartado 8).

2. El sistema detector de flujo se activa en caso de que no haya recirculación (flujo) de agua a través de la célula o bien que éste sea muy bajo. La no evacuación del gas de electrolisis genera una burbuja que aísla eléctricamente al electrodo auxiliar (detección electrónica). Por lo tanto, al introducir los electrodos en la célula, la sonda de nivel (electrodo auxiliar) deberá quedar situada en la parte superior de la misma. La disposición más segura es la del diagrama de instalación recomendada.

3. **ATENCIÓN:** el detector de flujo no funcionará correctamente, con el consiguiente riesgo de ruptura de la célula, si se cierran simultáneamente las válvulas de entrada y salida a la tubería donde va instalada la célula de electrolisis. Aunque resulta una situación extremadamente inusual, **se puede evitar bloqueando, una vez instalado el equipo, la válvula de retorno hacia la piscina**, de forma que no pueda ser manipulada accidentalmente.

Otras disposiciones sólo serían aceptables si permitieran igualmente la detección de burbujas de gas debidas a un caudal de paso de agua a través de la célula demasiado bajo.

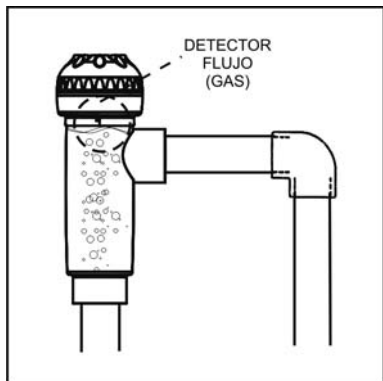


Fig.5

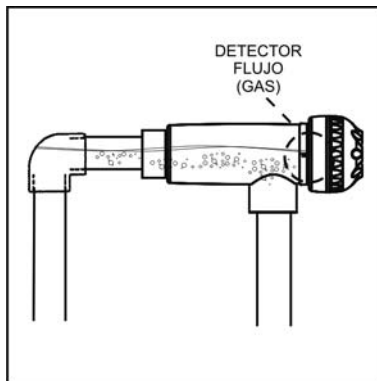


Fig.6

1. Instalación recomendada

2. Instalación admisible (no recomendada)

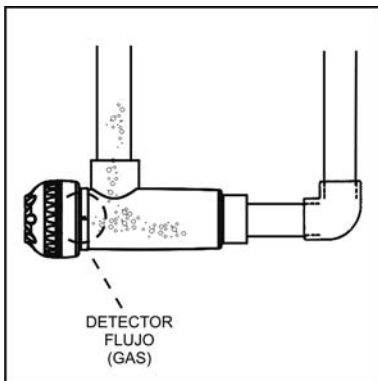


Fig.7

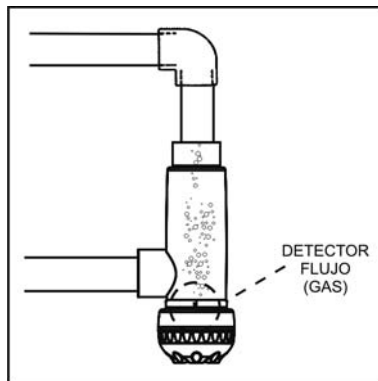


Fig. 8

3. Instalaciones no admisibles

Los electrodos deberán ser introducidos en el interior de la célula de electrolisis encajando el electrodo central del conjunto a través de las guías situadas en la parte superior e inferior del cuerpo de la misma.

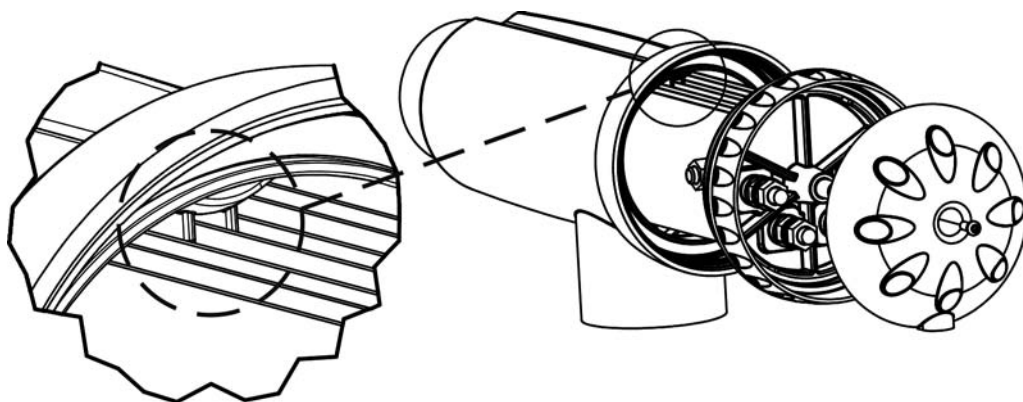
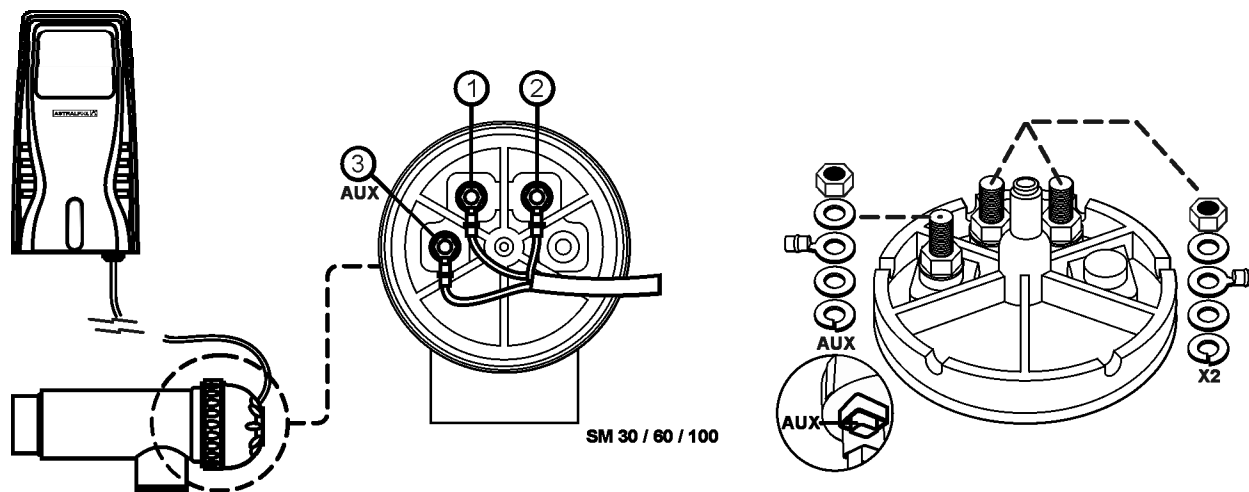


Fig. 9a

4.3. Conexiones eléctricas de la célula de electrolisis

Realizar la interconexión entre la célula de electrolisis y la fuente de alimentación según los siguientes esquemas. Debido a la relativamente elevada intensidad de corriente que circula por los cables de la célula de electrolisis, en ningún caso debe modificarse la longitud ni la sección de los mismos, sin consultar previamente a su distribuidor AstralPool autorizado. El cable de conexión célula-fuente de alimentación nunca debe exceder la longitud máxima recomendada en este Manual: Smart 30 / 42347, 15 m.; Smart 60 / 42348, 7.5 m.; Smart 100 / 42349, 4 m.

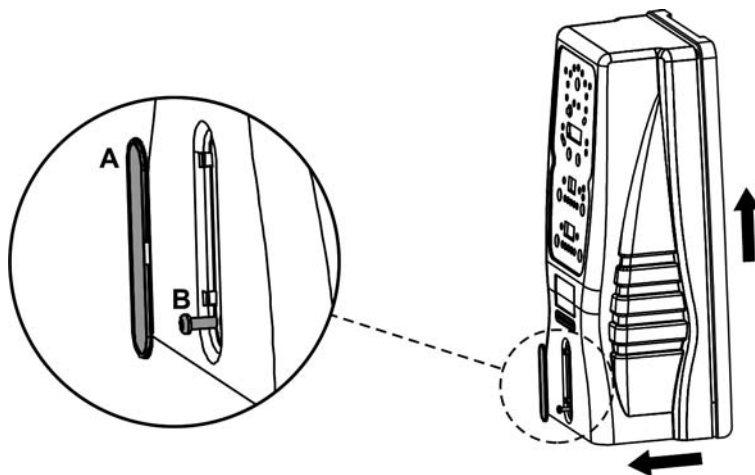


- 1.- Electrodo 1 (Rojo)
- 2.- Electrodo 2 (Rojo)
- 3.- Detector flujo (Amarillo)

Fig. 9b

4.4. Desmontaje carátula

1. Quitar el embellecedor (A) situado en la parte frontal de la carátula.
2. Desenroscar el tornillo de fijación (B) a la base del equipo.
3. Retirar la carátula deslizando la misma hacia arriba y hacia fuera



4.5. Indicadores

Los sistemas de Electrolisis de Sal AstralPool Chlore Smart están equipados con un panel de control situado en su frontal (Fig. 10).

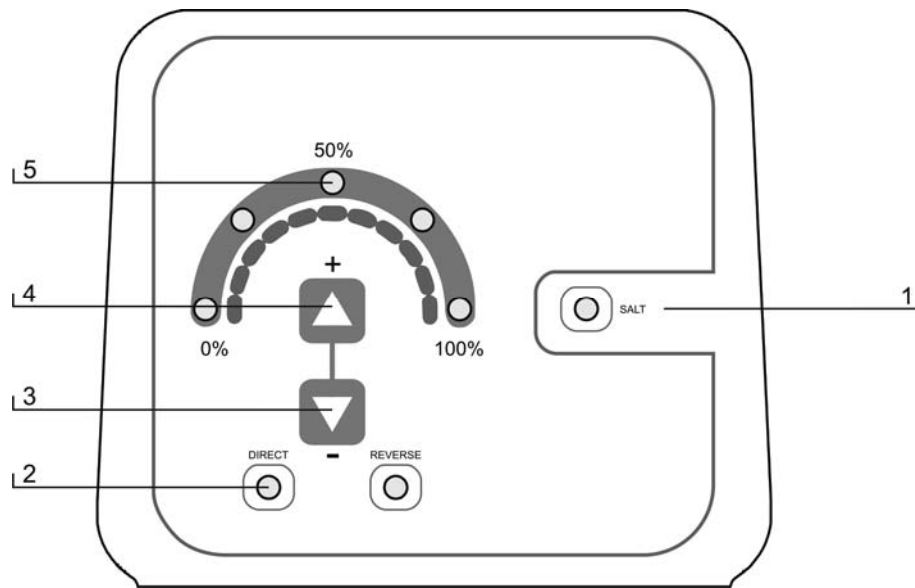


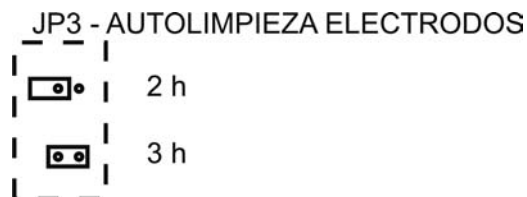
Fig. 10

1. Alarma de SALINIDAD.
2. Indicadores AUTOLIMPIEZA (polaridad DIRECTA/INVERSA)
3. Tecla “-” (disminuir producción)
4. Tecla “+” (aumentar producción)
5. Indicador de producción 0 ... 100 %

4.6. Programación y control

Además de las operaciones básicas, el Sistema de Electrolisis de Sal AstralPool Chlore Smart dispone de una entrada para control externo mediante un controlador de ORP, cloro residual, etc.; así como una para el ajuste de la producción del equipo al activarse la cubierta automática de la piscina. Además permite la configuración de tres modos de AUTOLIMPIEZA de los electrodos: TEST, 2/2, 3/3 horas.

- **Sistema de AUTOLIMPIEZA DE ELECTRODOS:** los leds [2] indican el estado de polarización de los electrodos (directa/inversa). La frecuencia de inversión se puede seleccionar mediante el jumper “JP3” situado en la placa del control del sistema (Figs. 11-12).



Smart 30 / 60

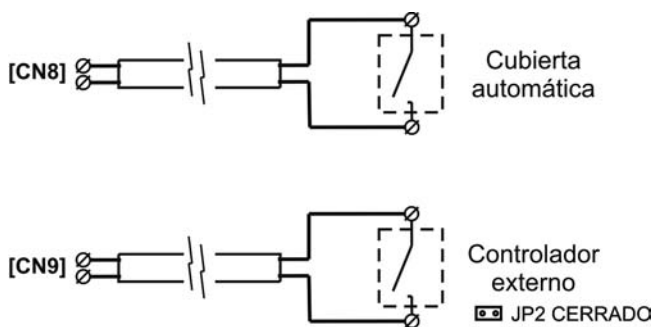
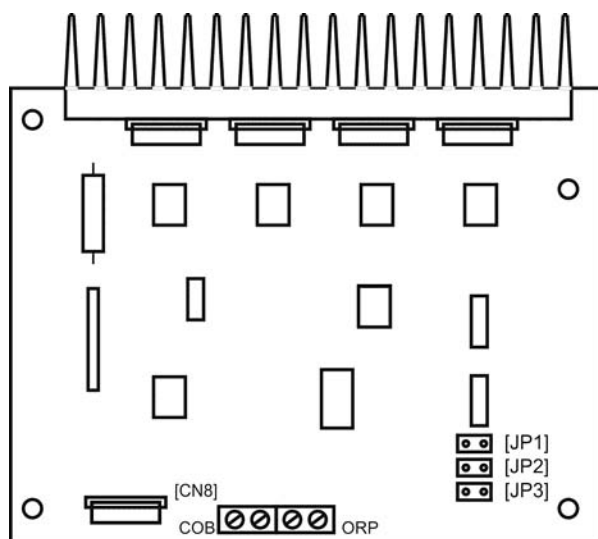


Fig. 11

Smart 100

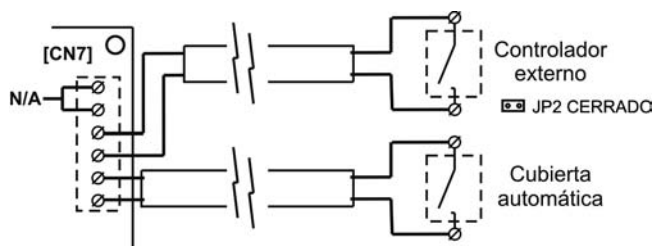
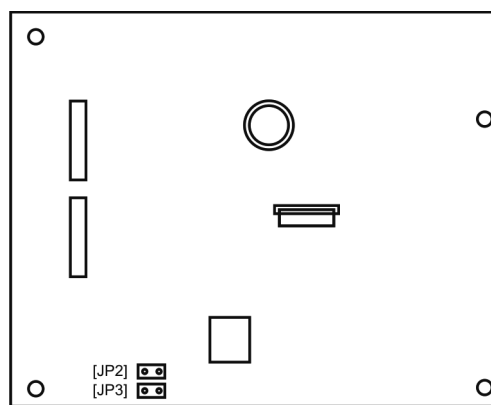
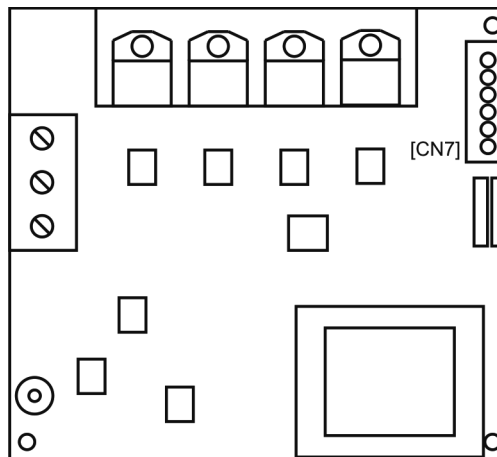
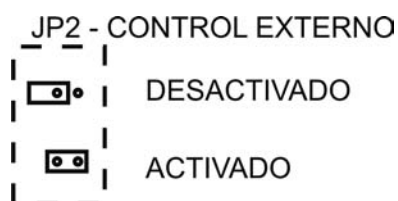


Fig. 12

- **Control CUBIERTA AUTOMÁTICA:** el sistema dispone de una entrada para contacto libre de tensión [COB]. Cuando el contacto conectado a esta entrada se cierra (cubierta automática CERRADA), el sistema de electrolisis reduce su producción al 10% de su valor nominal.
- **Control EXTERNO:** el sistema dispone de una entrada auxiliar adicional para contacto libre de tensión [ORP]. Esta entrada se puede utilizar para hacer interactuar el sistema de electrolisis con un controlador externo (ORP, CLORO RESIDUAL, FOTOMETRO, etc.). Cuando el contacto conectado a esta entrada está ABIERTO, el sistema de electrolisis se detiene. Para activar esta entrada deberá colocarse el jumper "JP2" situado en la placa de control de la unidad.



4.7. Puesta en marcha

1. Asegurarse que el filtro esté limpio al 100%, y que la piscina y la instalación no contenga cobre, hierro y algas, así como que cualquier equipo de calefacción instalado sea compatible con la presencia de sal en el agua .

2. Equilibrar el agua de la piscina. Esto nos permitirá obtener un tratamiento más eficiente con una menor concentración de cloro libre en el agua, así como un funcionamiento más prolongado de los electrodos unido a una menor formación de depósitos calcáreos en la piscina.

a) El pH debe ser de 7.2-7.6

b) La alcalinidad total debe ser de 60-120 ppm.

3. Aunque el sistema AstralPool Chlore Smart puede trabajar en un rango de salinidad de 4 - 6 g/l., se debe intentar mantener el nivel mínimo de sal recomendado de 5 g/l, añadiendo 5 Kg. por cada m³ de agua si el agua no contenía sal previamente. Utilizar siempre sal común (cloruro sódico), sin aditivos como yoduros o antiapelmazante, y con calidad de apta para consumo humano. No agregar nunca la sal a través de la célula. Añadir directamente a la piscina o en el vaso de compensación (lejos del sumidero de la piscina).

4. Al añadir la sal, y en caso que la piscina vaya a ser utilizada de forma inmediata, efectuar un tratamiento con cloro. Como dosis inicial, se pueden añadir 2 g./m³ de ácido tricloroisocianúrico.

5. Antes de iniciar el ciclo de trabajo, desconectar la fuente de alimentación y poner la bomba del depurador en marcha durante 24 horas para asegurar la completa disolución de la sal.

6. A continuación poner en marcha el sistema de electrolisis salina, situando el nivel de producción del mismo, de forma que se mantenga el nivel de cloro libre dentro de los niveles recomendados (0.5 - 1.5 ppm).

NOTA: para poder determinar el nivel de cloro libre deberá emplear un kit de análisis.

7. En piscinas con fuerte insolación o utilización intensiva, es aconsejable mantener un nivel de 25-30 g./m³ de estabilizante (ácido isocianúrico). En ningún caso, deberá excederse un nivel de 75 g./m³. Esto será de gran ayuda para evitar la destrucción del cloro libre presente en el agua por la acción de la luz solar.

5. FUNCIONAMIENTO:

5.1. Sistema detenido

El sistema entra en modo "EN ESPERA" cuando se pulsa sucesivamente la tecla "-" [3] hasta que el led de "0 %" quede parpadeando. En esta situación no hay producción en la célula de electrolisis.

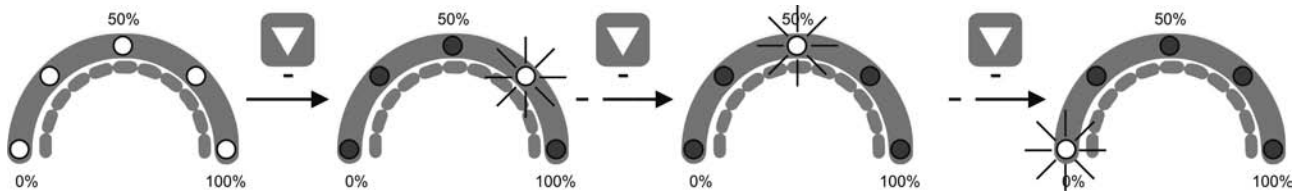


Fig. 13

5.2. Selección del nivel de producción

Para seleccionar el nivel de producción deseado, pulsar sucesivamente las teclas "+" [4] o "-" [3] hasta que el led correspondiente al nivel de producción deseado quede parpadeando. Transcurridos unos segundos, el sistema situará su producción en el nivel seleccionado.

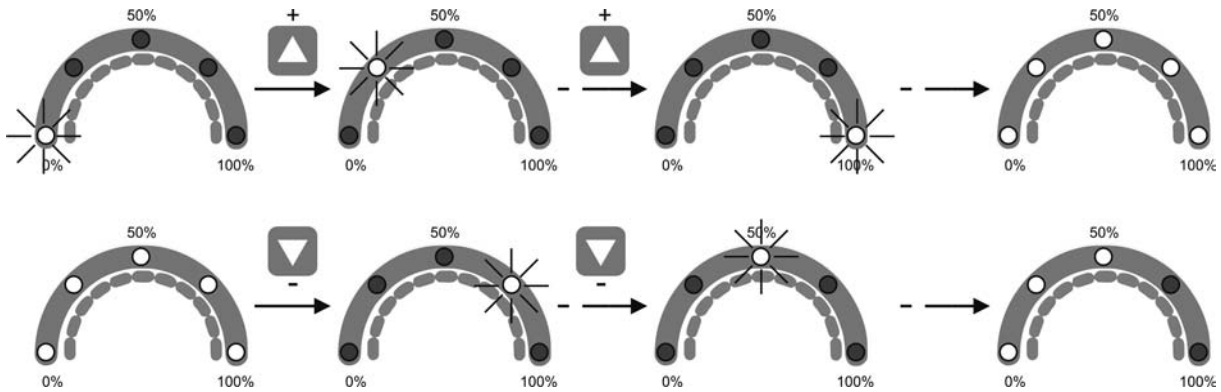


Fig. 14



Modo INVIERNO: durante periodos de baja temperatura en el agua, en los que la demanda de cloro va a ser baja, seleccionar un nivel de producción [1] del 50%, ya que de esta manera se optimiza el consumo eléctrico y la duración del paquete de electrodos.

5.3. Modo TEST

Para entrar en MODO TEST, bajar el nivel de producción a "0 %" mediante sucesivas pulsaciones de la tecla "-" [3] (Fig. 13)

Una vez parado el sistema mantener pulsada esta misma tecla durante 5 segundos. El sistema indicará que ha entrado en MODO TEST iluminando todos los led durante un segundo.

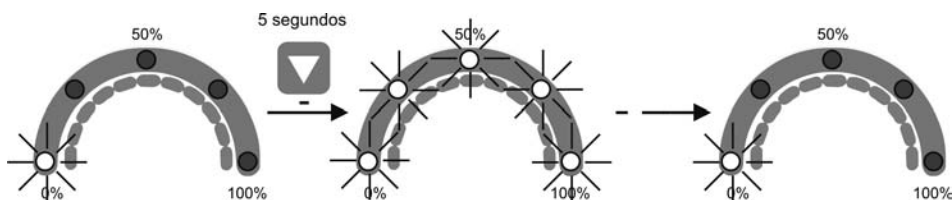


Fig. 15

Cuando el sistema entra en MODO TEST, el sistema pone a cero el temporizador de cambio de polaridad y el nivel de producción seleccionado. En este modo el sistema está totalmente operativo, efectuándose las inversiones de polaridad de los electrodos **cada 2 minutos**. Para salir del MODO TEST, será necesario quitar la alimentación de 230 V del sistema.

Cuando el sistema se encuentra en MODO TEST, el led indicador de polaridad "DIRECT - REVERSE" [2], parpadea.

5.4. Alarmas

- **NIVEL DE SAL ELEVADO**

En caso que se hubiera añadido sal en exceso, la fuente de alimentación disminuirá el nivel de potencia respecto del seleccionado de forma automática. El led "SALT" [1] permanecerá iluminado. En este caso, vaciar una parte de la piscina (por ejemplo, un 10%), y añadir agua fresca para disminuir la concentración de sal. Para un conocimiento preciso del nivel de sal recomendamos que utilice un medidor portátil de salinidad-temperatura.

- **NIVEL DE SAL BAJO**

En caso que el nivel de sal en el agua de la piscina estuviese por debajo del recomendado, la fuente de alimentación no podrá alcanzar el nivel de salida seleccionado. El led "SALT" [1] parpadeará. Es posible que el sistema indique niveles de sal inferiores a los reales si la temperatura del agua fuese inferior a 20°C o si el paquete de electrodos ha alcanzado el final de su vida útil. En este caso, determinar el nivel salino del agua y añadir la cantidad de sal necesaria. El tipo de sal común (NaCl) indicada para electrolisis salina no debe presentar aditivos (antiapelmazantes, yoduros) y debe ser apta para el consumo humano. Para un conocimiento preciso del nivel de sal recomendamos que utilice un medidor portátil de salinidad-temperatura.

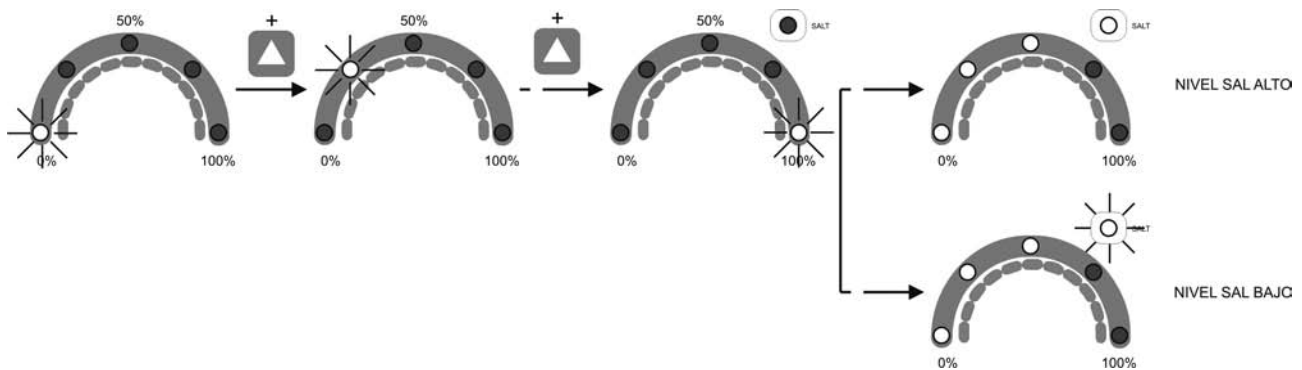


Fig. 16

- **NIVEL DE AGUA EN CELULA / DETECTOR DE FLUJO (GAS)**

Si en cualquier momento se formara una burbuja de aire o gas en la parte superior de la célula de electrolisis y el DETECTOR DE FLUJO no estuviese sumergido, el sistema desconectará automáticamente la salida de corriente hacia los electrodos, quedando todos los led del sistema parpadeando. El sistema se rearma automáticamente una vez se restituye el paso de agua por la célula y la burbuja es evacuada.

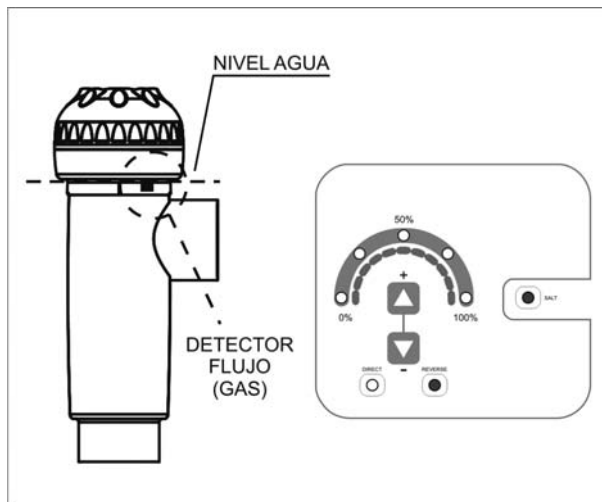


Fig. 17

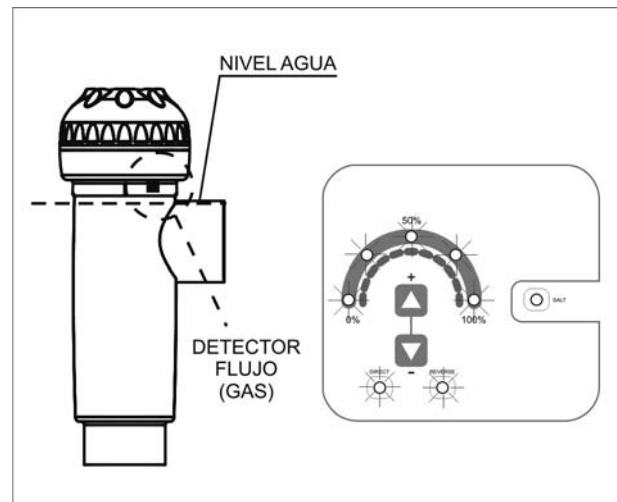


Fig. 18

1. Detector de gas sumergido. Sistema operativo.

2. Gas detectado. Sistema detenido.

6. MANTENIMIENTO:

La célula debe mantenerse en condiciones adecuadas para asegurar un largo tiempo de funcionamiento. El sistema de electrolisis salina dispone de un sistema de limpieza automática de los electrodos. Evita que se formen incrustaciones calcáreas sobre los mismos, por lo que no es previsible que sea necesario efectuar limpieza alguna de los mismos. No obstante, si fuese necesario efectuar la limpieza en el interior de la célula, proceder de la siguiente forma:

1. Parar el sistema de electrolisis y el resto de equipos de la piscina.
2. Cerrar válvulas y vaciar el agua del vaso de electrolisis.
3. Desenroscar la tuerca de cierre situada en el extremo donde se encuentran los electrodos, y sacar el paquete de electrodos.
4. Utilizar una solución diluida de ácido clorhídrico (una parte de ácido en 10 partes de agua), sumergiendo el paquete de electrodos en la misma durante 10 minutos como máximo.
5. NUNCA RASPAR NI CEPILLAR LA CELULA O LOS ELECTRODOS.

Los electrodos de un sistema de electrolisis salina están constituidos por láminas de titanio recubiertas de un capa de óxidos de metales nobles. Los procesos de electrolisis que tienen lugar sobre su superficie producen su desgaste progresivo, por lo que con el fin de optimizar el tiempo de duración de los mismos, se deberían tener en cuenta los siguientes aspectos:

1. Pese a que se trata de sistemas de electrolisis salina AUTOLIMPIANTES, un funcionamiento prolongado del sistema a valores de pH por encima de 7,6 en aguas de elevada dureza puede producir la acumulación de depósitos calcáreos sobre la superficie de los electrodos. Estos depósitos deteriorarán progresivamente el recubrimiento, ocasionando una disminución de su tiempo de vida útil.
2. La realización de limpiezas/lavados frecuentes de los electrodos (como los descritos anteriormente) acortará su vida útil.
3. El funcionamiento prolongado del sistema a salinidades inferiores a 3 g./l. ocasiona un deterioro prematuro de los electrodos.
4. La utilización frecuente de productos algicidas con altos contenidos de cobre, puede producir la deposición del mismo sobre los electrodos, dañando progresivamente el recubrimiento. Recuerde que el mejor algicida es el cloro.

7. PROBLEMAS / SOLUCIONES:

Cualquier acción requerida para solucionar posibles problemas en el equipo debe realizarse siempre con éste desconectado de la red eléctrica. Cualquier problema no contemplado en el siguiente listado deberá ser solucionado por un técnico responsable de AstralPool.

PROBLEMA	SOLUCION
El indicador de producción indica siempre "0" en cualquier nivel de producción seleccionado	Comprobar los electrodos. Comprobar las conexiones entre la fuente de alimentación y la célula de electrolisis. Comprobar la concentración de sal.
La fuente de alimentación no se conecta	Comprobar que el sistema está convenientemente conectado a 230 V/50-60 Hz en el cuadro de maniobra de la piscina. Comprobar el estado del fusible situado en la parte inferior del equipo.
Los niveles de cloro libre en el agua son demasiado bajos	Comprobar que el sistema produce cloro en las boquillas de impulsión. Verificar que los parámetros químicos del agua (pH, cloro combinado, ácido isocianúrico) son correctos. Aumentar el tiempo de filtración. Añadir estabilizante de cloro (ácido cianúrico) hasta alcanzar un nivel de 25 - 30 g/m ³ .

8. CARACTERÍSTICAS TÉCNICAS:

ESPECIFICACIONES TÉCNICAS:

Tensión de servicio estándar

230V AC - 50/60 Hz.
 Cable: 3 x 1.5 mm², long. 2 m.
 Smart 30 / 42347 0,18 A
 Smart 60 / 42348 0,36 A
 Smart 100 / 42349 0.72 A

Fusible

Smart 30 / 42347 1 A T (5x20 mm)
 Smart 60 / 42348 2 A T (5x20 mm)
 Smart 100 / 42349 3,15 A T (5x20 mm)

Tensión de salida

9 V DC / Cable: 3 x 4 mm², long. 2 m.
 Smart 30 / 42347 - 6 A (2x3 A)
 Smart 60 / 42348 - 12 A (2x6 A)
 Smart 100 / 42349 - 24 A (2x12 A)

Producción

Smart 30 / 42347 5 - 6 g./h.
 Smart 60 / 42348 10 - 12 g./h.
 Smart 100 / 42349 20 - 24 g./h.

Caudal recirculación mínimo

Smart 30 / 42347 1 m³/h.
 Smart 60 / 42348 2 m³/h.
 Smart 100 / 42349 4 m³/h.

Número de electrodos

Smart 30 / 42347 3
 Smart 60 / 42348 5
 Smart 100 / 42349 7

Peso neto

Smart 30 / 42347 9 Kg.
 Smart 60 / 42348 11 Kg.
 Smart 100 / 42349 13 Kg.

CARACTERÍSTICAS GENERALES:

Sistema de control

- Microprocesador.
- Teclado de membrana con 2 pulsadores de control y leds indicadores de funcionamiento.
- E/S de control: 2 entradas tipo contacto libre de tensión para estado de cubierta automática y controlador externo (ORP, CLORO RESIDUAL, etc.).
- Salida a célula: control de producción (5 niveles discretos).
- Rango de salinidad/temperatura : 4 ... 6 g/l. / +15 - 40°C

Auto-limpieza

Automática, por inversión de polaridad

Temperatura de trabajo

De 0°C a +40°C

Refrigeración por convección natural

Material

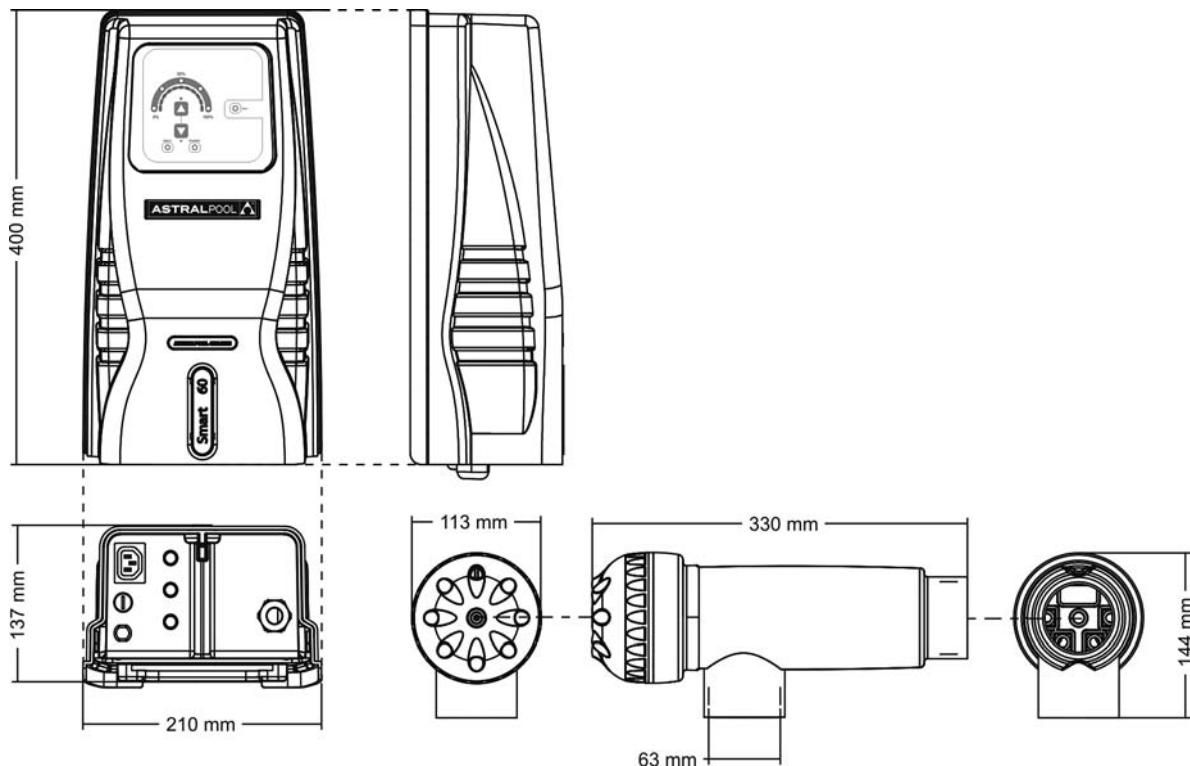
Fuente de alimentación

- ABS color azul
- Aluminio

Célula de electrolisis

- Metacrilato color azul

Dimensiones



9. CONDICIONES DE GARANTIA:

9.1. ASPECTOS GENERALES

- 9.1.1. De acuerdo con estas disposiciones, el vendedor garantiza que el producto correspondiente a esta garantía no presenta ninguna falta de conformidad en el momento de su entrega.
- 9.1.2. El Periodo de Garantía Total para el Producto es de 2 AÑOS, y se calculará desde el momento de su entrega al comprador. El electrodo está cubierto por una garantía de 2 AÑOS (ó 3.000 horas), sin extensiones.
- 9.1.3. Si se produjera una falta de conformidad del Producto y el comprador lo notificase al vendedor durante el Periodo de Garantía, el vendedor deberá reparar o sustituir el Producto a su propio coste en el lugar donde considere oportuno, salvo que ello sea imposible o desproporcionado.
- 9.1.4. Cuando no se pueda reparar o sustituir el Producto, el comprador podrá solicitar una reducción proporcional del precio o, si la falta de conformidad es suficientemente importante, la resolución del contrato de venta.
- 9.1.5. Las partes sustituidas o reparadas en virtud de esta garantía no ampliarán el plazo de la garantía del Producto original, si bien dispondrán de su propia garantía.
- 9.1.6. Para la efectividad de la presente garantía, el comprador deberá acreditar la fecha de adquisición y entrega del Producto.
- 9.1.7. Cuando hayan transcurrido más de seis meses desde la entrega del Producto al comprador y éste alegue falta de conformidad de aquél, el comprador deberá acreditar el origen y la existencia del defecto alegado.
- 9.1.8. El presente Certificado de Garantía no limita o prejuzga los derechos que correspondan a los consumidores en virtud de normas nacionales de carácter imperativo.

9.2. CONDICIONES PARTICULARES

- 9.2.1. Para la eficacia de esta garantía, el comprador deberá seguir estrictamente las indicaciones del Fabricante incluidas en la documentación que acompaña al Producto, cuando ésta resulte aplicable según la gama y modelo del Producto.
- 9.2.2. Cuando se especifique un calendario para la sustitución, mantenimiento o limpieza de ciertas piezas o componentes del Producto, la garantía sólo será válida cuando se haya seguido dicho calendario correctamente.

9.3. LIMITACIONES

- 9.3.1. La presente garantía únicamente será de aplicación en aquellas ventas realizadas a consumidores, entendiéndose por "consumidor", aquella persona que adquiere el Producto con fines que no entran en el ámbito de su actividad profesional.
- 9.3.2. No se otorga ninguna garantía respecto del normal desgaste por uso del producto, ni tampoco respecto a las piezas, componentes y/o materiales fungibles o consumibles (a excepción del electrodo).
- 9.3.3. La garantía no cubre aquellos casos en que el Producto: (i) haya sido objeto de un trato incorrecto; (ii) haya sido inspeccionado, reparado, mantenido o manipulado por persona no autorizada; (iii) haya sido reparado o mantenido con piezas no originales o (iv) haya sido instalado o puesto en marcha de manera incorrecta.
- 9.3.4. Cuando la falta de conformidad del Producto sea consecuencia de una incorrecta instalación o puesta en marcha, la presente garantía sólo responderá cuando dicha instalación o puesta en marcha esté incluida en el contrato de compra-venta del Producto y haya sido realizada por el vendedor o bajo su responsabilidad.
- 9.3.5. Daños o fallos del producto debido a cualquiera de las siguientes causas:
 - o Funcionamiento a salinidades inferiores a 3 g./l. de cloruro sódico y/o temperaturas inferiores a +15°C o superiores a 40°C.
 - o Funcionamiento a pH superior a 7,6.
 - o Empleo de productos químicos no autorizados de forma explícita.
 - o Exposición a ambientes corrosivos y/o temperaturas inferiores a 0°C o superiores a 50°C.

IMPORTANTE: Il manuale d'istruzioni in suo possesso contiene informazioni fondamentali sulle misure di sicurezza da adottare per l'installazione e la messa in servizio. Per ciò è imprescindibile che sia l'installatore che l'utente leggano le istruzioni prima di iniziare il montaggio e la messa in servizio.
Conservi questo manuale per poterlo consultare in futuro in merito al funzionamento di questo apparecchio.



Eliminazione di rifiuti di apparecchiature domestiche elettriche ed elettroniche nell'Unione Europea.

Tutti i prodotti marchiati con questo simbolo non si possono eliminare insieme ai rifiuti domestici una volta ultimato l'utilizzo. E' responsabilità dell'utilizzatore eliminare questo tipo di rifiuti in un punto di raccolta per lo smaltimento selettivo di rifiuti elettrici ed elettronici. Il trattamento ed il riciclo corretti di questi rifiuti contribuiscono in forma essenziale alla conservazione dell'ambiente e alla salute delle persone. Per ottenere un'informazione più precisa sui punti di raccolta contatti l'amministrazione locale.

Per ottenere il massimo rendimento dei Sistemi per l'Elettrolisi del Sale Astralpool Chlore, è opportuno rispettare le istruzioni di seguito riportate:

1. VERIFICARE IL CONTENUTO DELL'IMBALLAGGIO: _____

All'interno dell'imballo troverà i seguenti accessori:

- Alimentatore
- Cella elettrolitica
- Manuale

2. CARATTERISTICHE GENERALI: _____

Una volta installato il Sistema per l'Elettrolisi del Sale Astralpool Chlore, è necessario dissolvere una quantità di sale nell'acqua. Quest'acqua salina circola attraverso la cella elettrolitica. Il Sistema per l'Elettrolisi del Sale Astralpool Chlore è composto da due elementi: una cella elettrolitica ed un alimentatore. La cella elettrolitica contiene un numero determinato di placche di titanio (elettrodi), in modo che quando si fa circolare all'interno una corrente elettrica e la soluzione salina, si forma cloro libero.

Il mantenimento di un certo livello di cloro nell'acqua della piscina, garantirà la sua qualità sanitaria. Un Sistema per l'Elettrolisi del Sale Astralpool Chlore produce cloro quando il sistema di ricircolo della piscina (pompa e filtro) sono operativi.

L'Alimentatore dispone, oltre ad un microregolatore, di vari dispositivi di sicurezza che si attivano in caso di un funzionamento anomalo del sistema.

I Sistemi per l'Elettrolisi del Sale Astralpool Chlore dispongono di un sistema di pulizia automatica degli elettrodi che evita la formazione di incrostazioni negli stessi.

DESCRIZIONE	MODELLO		
	SMART 30 - Codici 42347	SMART 60 - Codici 42348	SMART 100 - Codici 42349
Tensione di alimentazione	230 V AC, 50/60 Hz.		
Uscita (dc)	6 A	12 A	24 A
Produzione (g/h)	5 - 6	10 -12	20 -24
Rivelatore di flusso	Rivelatore di gas		
Gamma di salinità / Temperatura	4 - 6 g./l. / 15°C - 40°C		
Elettrodi	Titanio con copertura AUTO-PULENTE Tempo di vita previsto: 8.000 - 10.000 ore di funzionamento (secondo la qualità di l'acqua) ⁽²⁾		
Controllo di produzione	0 - 100 % (5 livelli di produzione)		
Controllo della copertura	Entrata per contatto libero di tensione Riduzione di produzione al 10% del suo valore nominale con copertura chiusa		
Inversione di polarità	Programabile 2 ⁽¹⁾ / 3 ore + modo test (jumper in targa di controllo)		
Controllo esterno	Entrata per contatto libero di tensione autorizzata a mezzo jumper in targa di controllo. Logica: ON (contatto chiuso) / OFF (contatto aperto)		
Protezione del livello di sale	Protezione automatica di produzione		

⁽¹⁾ Predefinite in fabbrica

⁽²⁾ In condizioni ideali: salinità (6 g/l), pH (7,2), durezza dell'acqua (120 mg/l) e flusso minimo.

3. AVVERTENZE DI SICUREZZA E RACCOMANDAZIONI:

- Il montaggio o la manutenzione devono essere effettuati da personale qualificato.
- Devono essere rispettate le norme di legge vigenti elettriche e per la prevenzione di incidenti.
- Il fabbricante non è responsabile in nessun caso del montaggio, installazione o messa in marcia non realizzate in conformità al presente manuale né di qualunque altra manipolazione o montaggio di componenti che non siano installati in fabbrica .
- I Sistemi per l'Elettrolisi del Sale Astralpool Chlore (42347, 42348, 42349) funzionano a 230 VAC, 50/60 Hz. Non cercare di alterare il sistema per farlo funzionare con un altro voltaggio.
- Assicurarsi di realizzare connessioni stabili onde evitare falsi contatti, con il conseguente surriscaldamento delle stesse.
- Prima di procedere all'impianto o alla sostituzione di un componente, staccare l'apparecchio della rete elettrica, ed utilizzare esclusivamente pezzi di ricambio forniti da Astralpool.
- Poiché il sistema genera calore, è importante installarlo in un luogo ben ventilato e cercare di mantenere gli spazi per la ventilazione liberi da qualsiasi elemento che li possa ostruire. Cercare di non installarlo vicino a materiali infiammabili
- I Sistemi per l'Elettrolisi del Sale AstralPool Chlore (42347, 42348, 42349) dispongono di un grado di protezione IP24. In nessun caso devono essere installati in zone esposte a rischio d'inondazione.
- Se il Sistema per l'Elettrolisi non dispone di controllo di copertura, è importante ridurre la produzione del sistema al minimo ogni volta che la copertura viene distesa sulla piscina. In caso contrario potrà crearsi un eccesso di cloro in grado di deteriorare i materiali della piscina.

4. INSTALLAZIONE :

4.1. Installazione dell'ALIMENTATORE

Installare sempre l'ALIMENTATORE del sistema Astralpool Chlore in modo VERTICALE e su una superficie (parete) rigida così come si mostra nello schema di installazione raccomandata. Per garantire il buono stato di conservazione, si deve installare l'impianto in un luogo asciutto e ben ventilato. Il grado di tenuta dell'ALIMENTATORE del sistema Astralpool Chlore non permette la sua esposizione alle intemperie. L'ALIMENTATORE dovrebbe essere installato sufficientemente lontano dalla cella elettrolitica in modo che non possa ricevere accidentalmente spruzzi di acqua.

Evitare assolutamente la formazione di ambienti corrosivi dovuti alle soluzioni che abbassano il pH (in particolare quelle che contengono acido cloridrico "HCl"). Non installare il sistema Astralpool Chlore vicino ai luoghi di stoccaggio di questi prodotti. Raccomandiamo vivamente l'uso di prodotti a base di bisolfato sodico o acido solforico diluito.

La connessione dell'alimentatore alla rete elettrica deve essere effettuata nel quadro di manovra del depuratore, in modo che la pompa ed il sistema Astralpool Chlore si accendano simultaneamente.

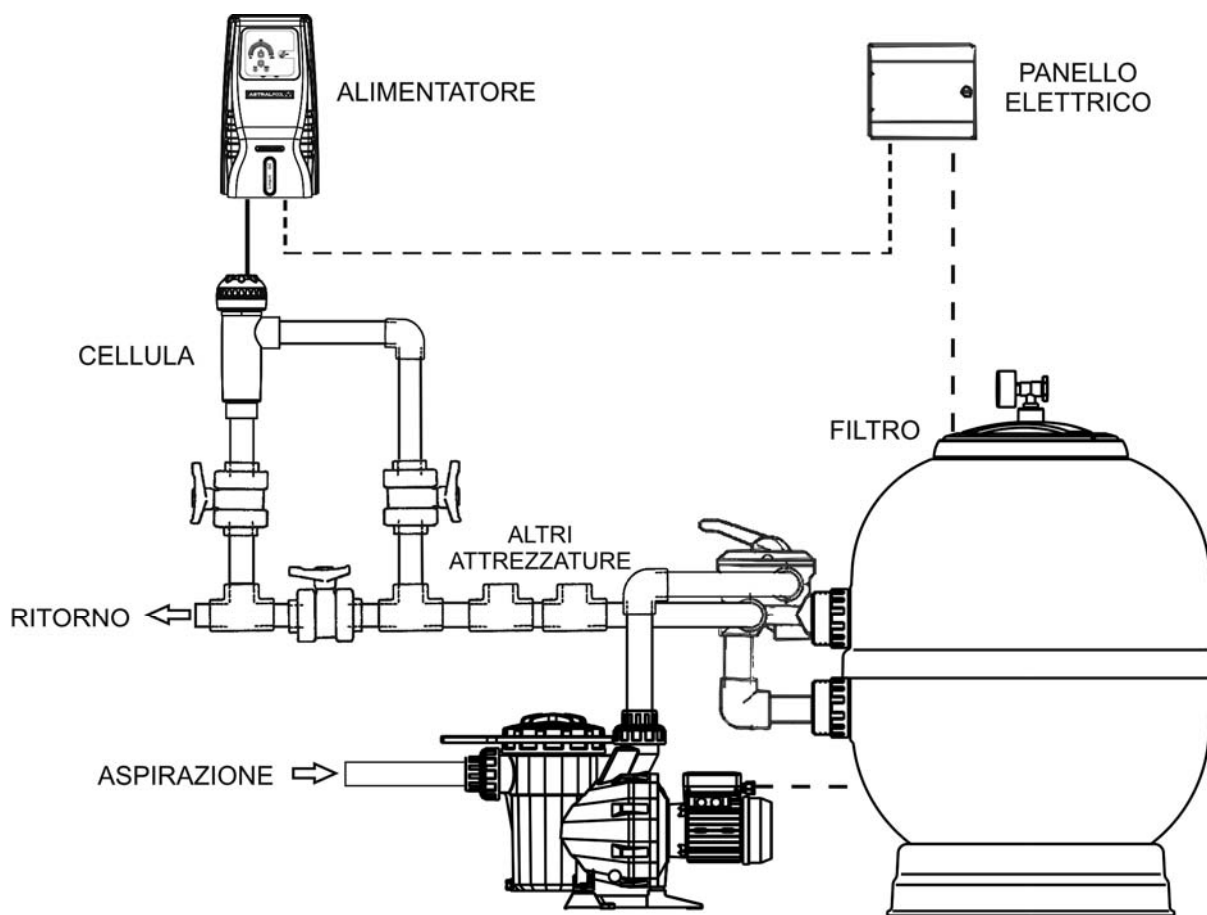


Fig.1 Schema di installazione raccomandata.

4.2. Installazione della cellula d'elettrolisi

La cella elettrolitica è fabbricata in polimero trasparente dentro il quale si trovano gli elettrodi. La cella elettrolitica dovrebbe essere installata in un luogo protetto dall'intemperie, sempre in mandata ed a valle di qualsiasi altro dispositivo dell'impianto come pompe di calore, sistemi di controllo, ecc.; questi dovrebbero essere sempre collocati prima del sistema di elettrolisi.

L'installazione dovrebbe essere effettuata in modo tale da permettere il facile accesso dell'utente agli elettrodi installati. La cella elettrolitica deve essere posizionata sempre in modo **VERTICALE** ad un'altezza tale della tubazione che possa essere isolata dal resto dell'impianto mediante due valvole, allo scopo di poter realizzare le operazioni di manutenzione della stessa senza dover svuotare totalmente o parzialmente la piscina.

Nel caso in cui la cellula sia installata in by-pass (opzione raccomandata), si dovrà inserire una valvola che ne regoli il flusso all'interno. Prima di procedere all'installazione definitiva del sistema, tenere conto delle seguenti raccomandazioni:

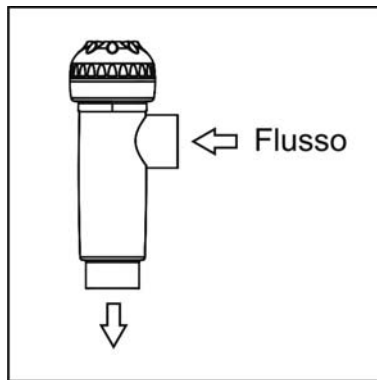


Fig.2

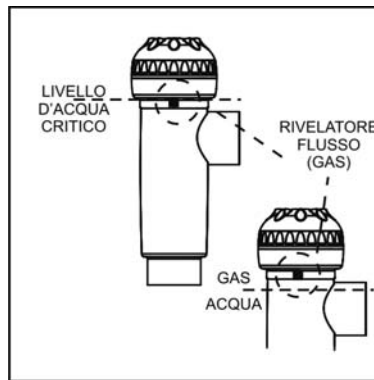


Fig.3

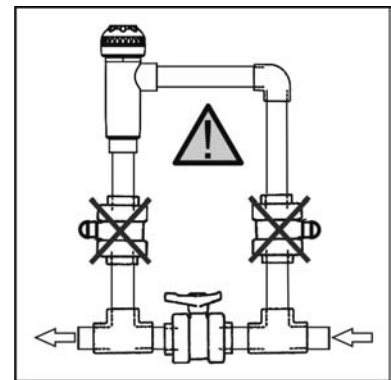


Fig.4

1. Rispettare il senso di flusso indicato nella cella. Il sistema di ricircolo deve garantire il flusso minimo indicato nella precedente Tabella di SPECIFICHE TECNICHE per ogni modello (vedere Sezione 8).

2. Il sistema rivelatore di flusso si attiva in caso di assenza o scarsità di ricircolo (flusso) di acqua attraverso la cella. La non evacuazione del gas di elettrolisi produce una sacca che isola elettricamente l'elettrodo ausiliario (rilevamento elettronico). Pertanto, inserendo gli elettrodi nella cella, la sonda di livello (elettrodo ausiliario) dovrà rimanere situata nella parte superiore della stessa. La disposizione più sicura è quella dello schema di installazione raccomandata. Per evitare un'eccessiva vibrazione degli elettrodi, questi dovrebbero essere collocati all'interno della cella parallelamente al flusso di acqua.

3. **ATTENZIONE:** il rivelatore di flusso non funzionerà correttamente, con il conseguente rischio di rottura della cellula, se si chiudono simultaneamente le valvole di entrata ed uscita alla tubazione dove deve essere installata la cella elettrolitica. Nonostante sia una situazione inusuale, **può essere evitata bloccando, una volta installato l'impianto, la valvola di ritorno verso la piscina**, in modo che non possa essere manipolata accidentalmente.

Altri schemi di installazione possono risultare accettabili solo se permettono l'individuazione di flusso debole o nullo.

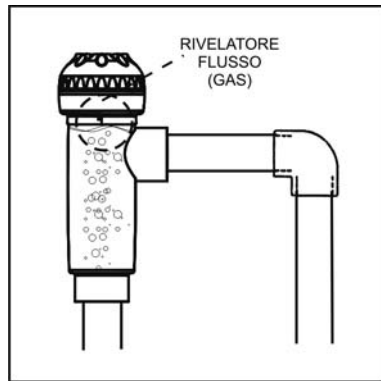


Fig.5

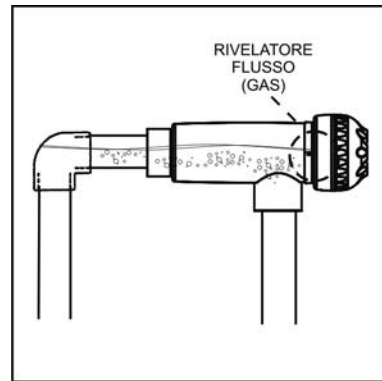


Fig.6

1. Installazione raccomandata

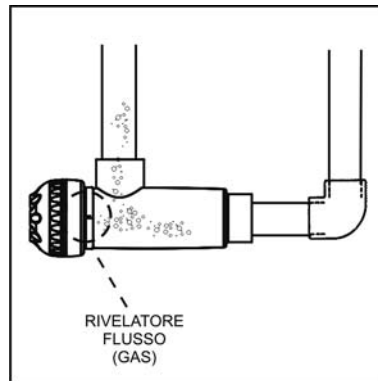


Fig.7

2. Installazione permessa (non raccomandata)

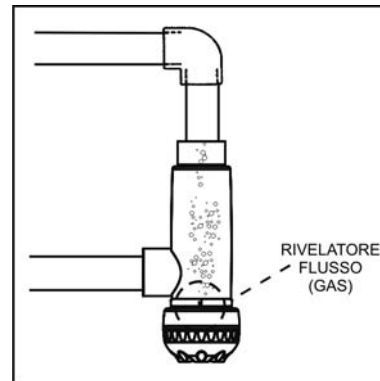


Fig. 8

3. Installazioni non permesse

Gli elettrodi dovranno essere inseriti all'interno della cellula d'elettrolisi, facendo in modo che l'elettrodo centrale del gruppo si incastri nelle guide situate nella parte superiore ed inferiore del corpo della stessa.

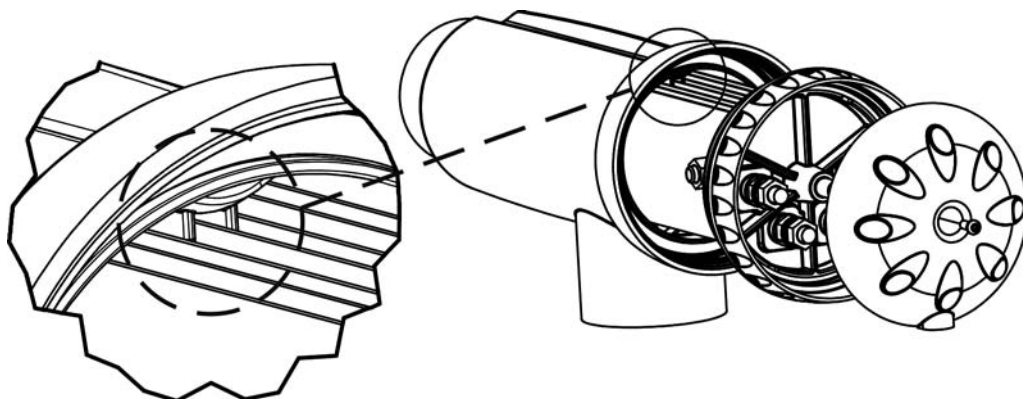
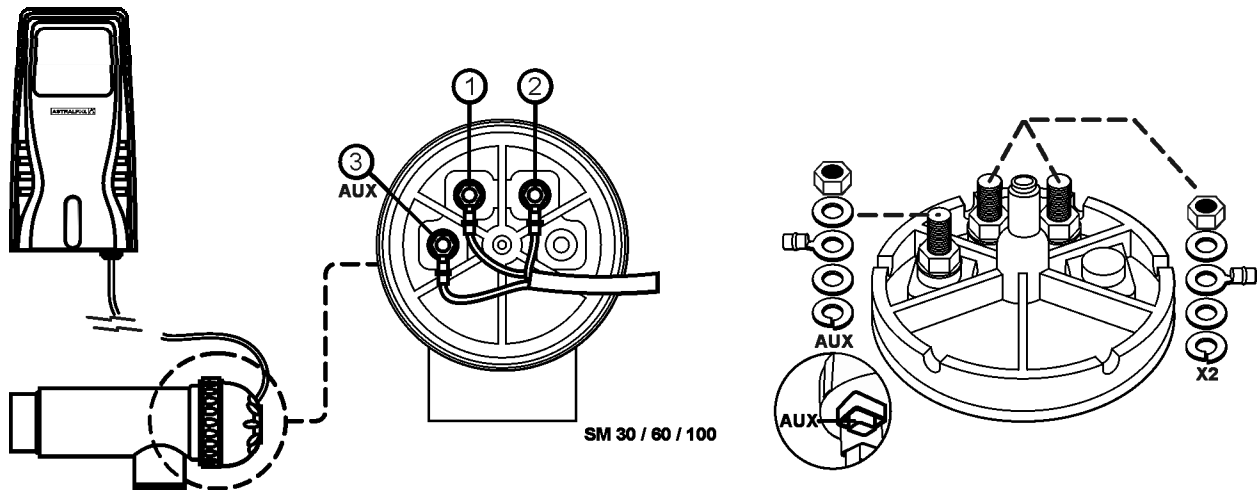


Fig. 9a

4.3. Collegamenti elettrici della cellula d' elettrolisi

A causa dell'intensità di corrente relativamente elevata che circola per i cavi di alimentazione della cella elettrolitica, non si deve assolutamente modificare la lunghezza né il diametro degli stessi senza consultare previamente il suo distributore autorizzato Astralpool. Il cavo di connessione cellula-alimentatore non deve mai superare la lunghezza massima specificata in questo Manuale: Smart 30 / 42347, 15 m.; Smart 60 / 42348, 7.5 m.; Smart 100 / 42349, 4 m.

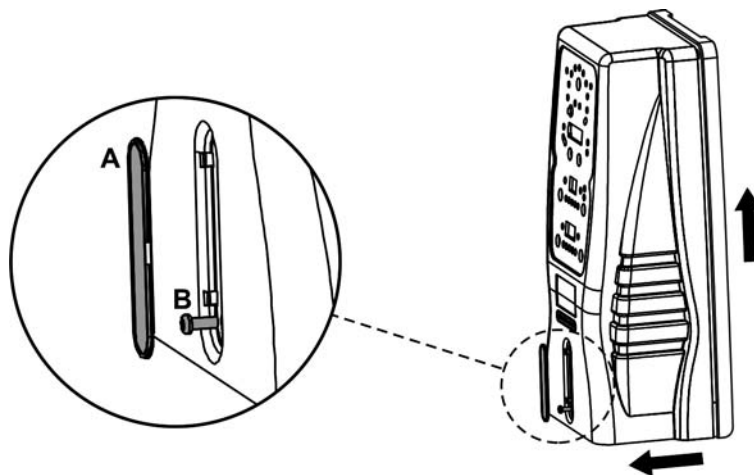


- 1.- Elettrodo 1 (rosso)
- 2.- Elettrodo 2 (rosso)
- 3.- Rivelatore di flusso (giallo)

Fig. 9b

4.4 Smontaggio del coperchio

1. Togliere l'abbellitore (A) situato nel frontale del coperchio.
2. Svitare la vite di fissazione (B).
3. Togliere il coperchio scivolando verso l'alto e verso fuori.



4.5. Controlli ed indicatori

I sistemi di Elettrolisi al Sale AstralPool Chlore Smart sono dotati di un pannello di controllo situato sulla parte frontale (Fig. 10).

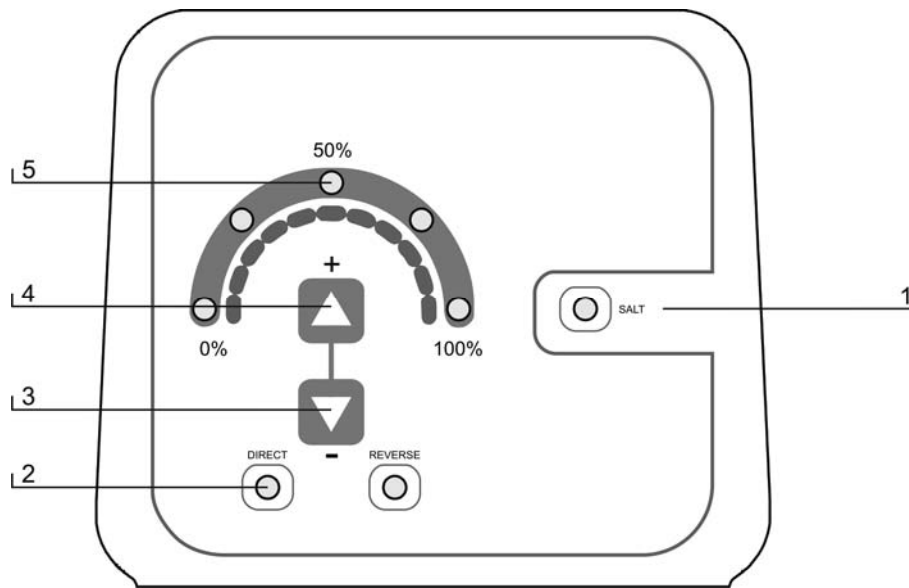


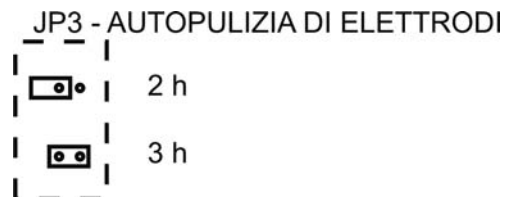
Fig. 10

1. Allarme de SALINITÀ.
2. Indicatore di AUTO-PULIZIA (polarità DIRETTA/INVERSA)
3. Tasto “-” (diminuire produzione)
4. Tasto “+” (aumentare produzione)
5. Indicatore di produzione 0 ... 100 %

4.6. Programmazione e controllo

Oltre alle operazioni base, il Sistema di Elettrolisi al Sale AstralPoolChlore Smart dispone di una entrata per il controllo esterno mediante un controllo ORP, cloro residuo, ecc., oltre ad una entrata per la regolazione della produzione del sistema all'attivazione della copertura automatica della piscina. Consente inoltre la configurazione di tre tipi di AUTOPULIZIA degli elettrodi: TEST, 2/2, 3/3 ore.

- **Sistema di AUTOPULIZIA DEGLI ELETTRODI:** gli indicatori [2] mostrano lo stato di polarizzazione degli elettrodi (diretta/inversa). La frequenza d'inversione può essere selezionata mediante il jumper "JP3" situato nella scheda di controllo del sistema (Fig. 11-12).



Smart 30 / 60

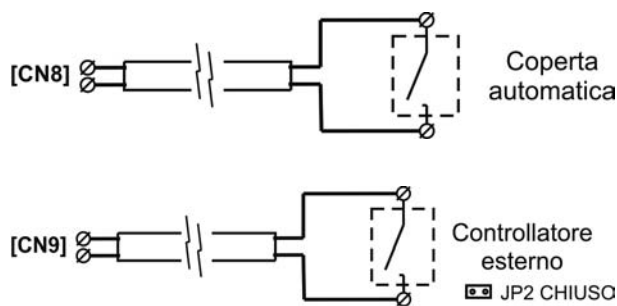
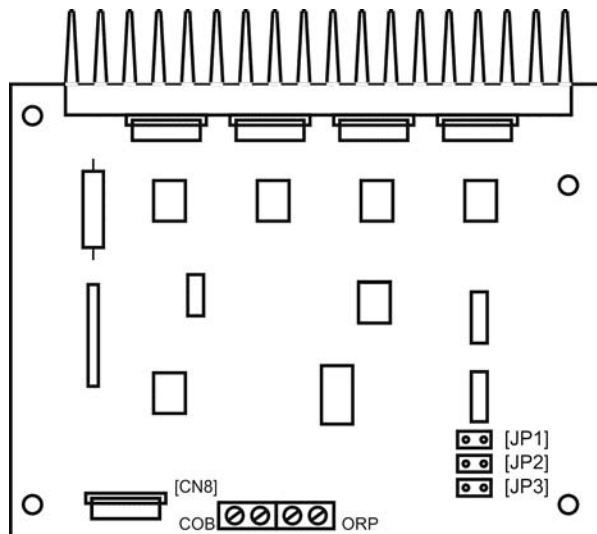


Fig. 11

Smart 100

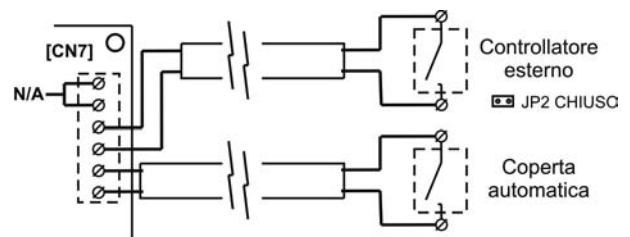
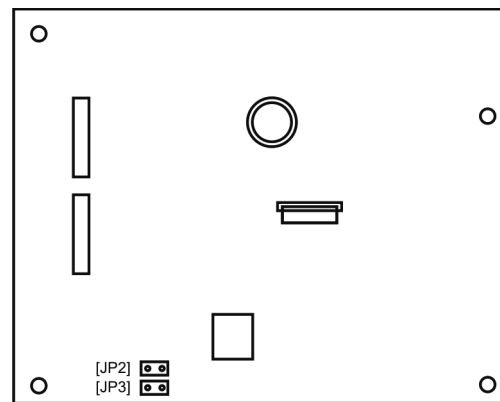
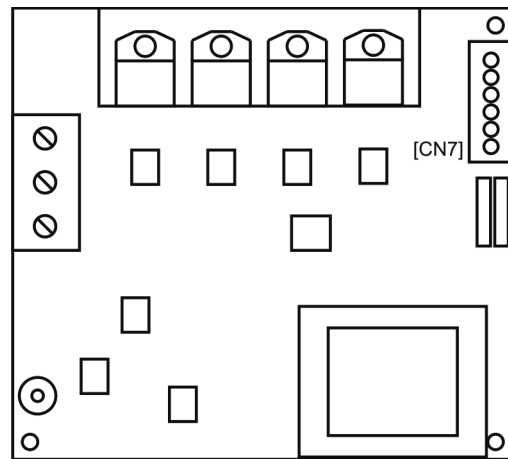
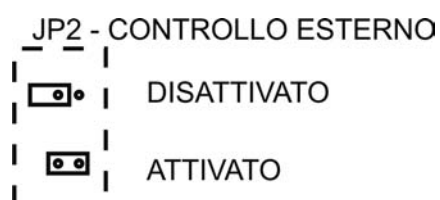


Fig. 12

- **Controllo COPERTURA AUTOMATICA:** il sistema dispone di una entrata per contatto libero da tensione [COB]. Quando si chiude il contatto collegato a questa entrata (copertura automatica CHIUSA), il sistema d'elettrolisi riduce la produzione al 10% del valore nominale.
- **Controllo ESTERNO:** il sistema dispone di una entrata ausiliare aggiuntiva per contatto libero da tensione [ORP]. Questa entrata può essere utilizzata per far interagire il sistema di elettrolisi con un controllo esterno (ORP, CLORO RESIDUO, FOTOMETRO, ecc.). Quando il contatto collegato a questa entrata è APERTO, il sistema d'elettrolisi si blocca. Per attivare l'entrata è necessario inserire il jumper "JP2", situato nella scheda di controllo dell'unità.



4.7. Avviamento

1. Assicurarsi che il filtro sia perfettamente pulito, e che la piscina e l'impianto non contengano rame, ferro ed alghe, nonché che tutti gli impianti di riscaldamento installati siano compatibili con la presenza di sale nell'acqua.

2. Equilibrare l'acqua della piscina. Questo ci permetterà di ottenere un trattamento più efficace con una minore concentrazione di cloro libero nell'acqua, nonché una vita utile più lunga degli elettrodi insieme ad una minore formazione di depositi calcarei nella piscina:

a) Il pH deve essere di 7.2-7.6

b) L'alcalinità totale deve essere di 60-120 ppm.

3. Nonostante il sistema AstralPool Chlore Elite possa lavorare con un valore di salinità di 4 - 6 g/l, è preferibile cercare di mantenere il livello minimo di sale raccomandato di 5 g/l aggiungendo 5 kg per ogni m³ di acqua, sempreché l'acqua non contenga già sale per propria natura. Non aggiungere il sale attraverso la cella. Aggiungere direttamente nella piscina o nel serbatoio di compensazione (lontano dal canale di sfioro della piscina).

4. Quando si aggiunge il sale, e nel caso in cui la piscina sia utilizzata immediatamente, realizzare un trattamento con cloro. Come dose iniziale, si possono aggiungere 2 g/m³ di acido tricloroisocianurico.

5. Prima di iniziare il ciclo di lavoro, spegnere l'alimentatore ed accendere la pompa del depuratore per 24 ore, allo scopo di assicurare la completa dissoluzione del sale.

6. Dopo di che avviare il sistema per l'ELETTROLISI del SALE, impostando il livello di produzione dello stesso, in modo che si mantenga il livello di cloro libero dentro i livelli raccomandati (0.5 - 1.5 ppm).

NOTE: per potere stabilire il livello di cloro libero si dovrà usare un kit di analisi.

7. In piscine molto assolate o fortemente utilizzate, è consigliabile mantenere un livello di 25-30 g/m³ di stabilizzante (acido isocianurico). In nessun caso, si dovrà superare il livello di 75 g/m³. Questo sarà di grande aiuto per evitare la distruzione del cloro libero presente nell'acqua dovuta all'azione della luce solare.

5. FUNZIONAMENTO:

5.1. Sistema bloccato

Il sistema entra nella modalità "IN ATTESA" mantenendo premuto il tasto "-" [3] fino a quando l'indicatore "0 %" comincia a lampeggiare costantemente. In questa situazione non vi è produzione nella cellula d'elettrolisi.

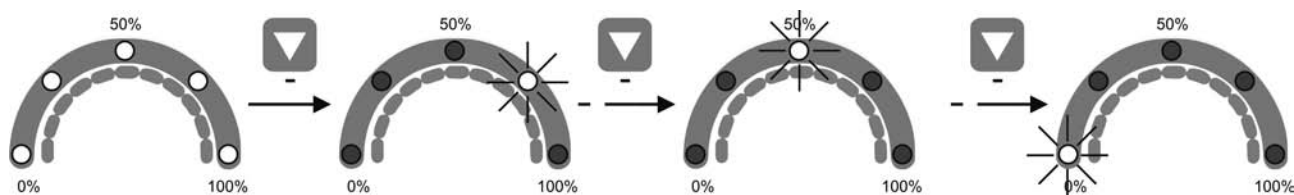


Fig. 13

5.2. Selezione del livello di produzione

Per selezionare il livello di produzione desiderato, mantenere premuti i tasti "+" [4] o "-" [3] fino a quando l'indicatore corrispondente al livello di produzione desiderato che lampeggerà costantemente. Trascorsi alcuni secondi, il sistema imposterà la produzione sul livello selezionato.

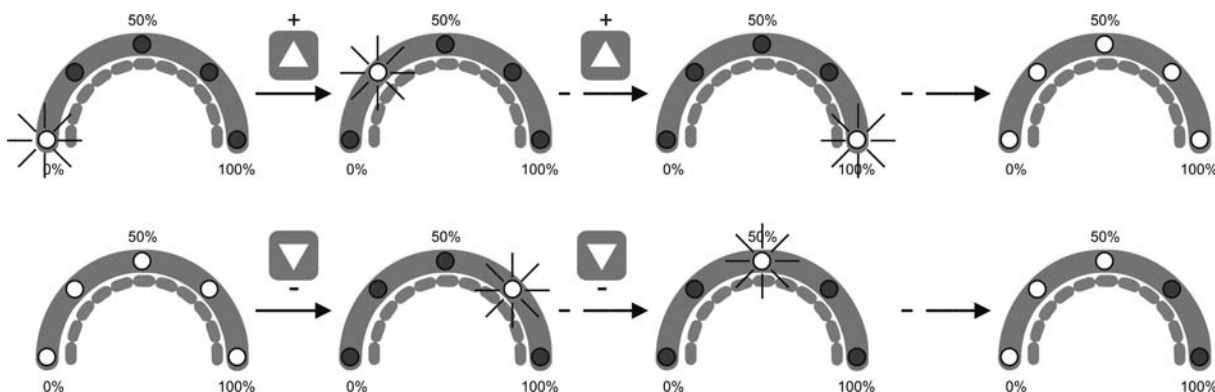


Fig. 14



Modo INVERNO: durante i periodi di bassa temperatura dell'acqua, dove la richiesta di cloro sarà bassa, selezionare un livello di produzione [1] di 50%, perché in questo modo il consumo di energia e la durata degli elettrodi è ottimizzato.

5.3. Modo TEST

Per accedere al MODO TEST, ridurre il livello di produzione a "0 %" premendo ripetutamente il tasto "-" [3] (Fig. 13)

Una volta bloccato il sistema, mantenere premuto lo stesso tasto per 5 secondi. Il sistema indicherà l'avvio del MODO TEST con l'accensione simultanea di tutti gli indicatori per un secondo.

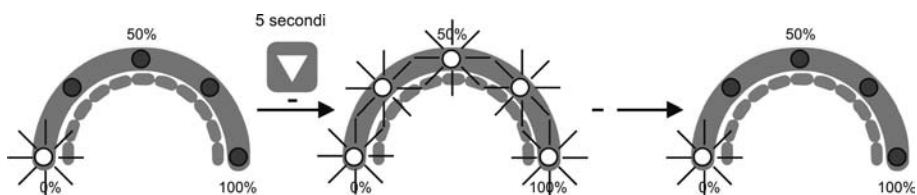


Fig. 15

Quando il sistema entra in MODO TEST vengono azzerati il temporizzatore di cambio di polarità ed il livello di produzione selezionato. In questo modo il sistema è completamente operativo ed esegue le inversioni di polarità degli elettrodi **ogni 2 minuti**. Per uscire dal MODO TEST sarà necessario scollegare l'alimentazione a 230 V del sistema.

Quando il sistema si trova in MODO TEST, l'indicatore di polarità "DIRECT - REVERSE" [2] lampeggia.

5.4. Allarmi

- **LIVELLO DI SALE ALTO**

Qualora sia stato aggiunto del sale in eccesso, la fonte di alimentazione ridurrà automaticamente il livello di potenza rispetto a quello selezionato. L'indicatore "SALT" [1] rimarrà illuminato. In questo caso svuotare una parte della piscina (per esempio il 10% circa) ed aggiungere dell'acqua fredda per diminuire la concentrazione salina. Per conoscere il livello di sale in modo preciso vi raccomandiamo l'utilizzo di un misuratore portatile di salinità-temperatura.

- **LIVELLO DI SALE BASSO**

Qualora il livello del sale nell'acqua della piscina sia inferiore a quanto raccomandato, la fonte di alimentazione non potrà raggiungere il livello d'uscita selezionato. L'indicatore "SALT" [1] lampeggerà. È possibile che il sistema indichi un livello di sale basso in caso di temperatura inferiore a 20°C, o se l'elettrodo ha raggiunto la fine della sua vita utile. In questo caso, determinare il livello salino dell'acqua ed aggiungere la quantità di sale necessario. Il tipo di sale comune (NaCl) indicato per l'elettrolisi salina non deve presentare additivi (antinfeltrenti, ioduri) e deve essere idoneo al consumo umano. Per conoscere il livello di sale in modo preciso vi raccomandiamo l'utilizzo d'un misuratore portatile di salinità-temperatura.

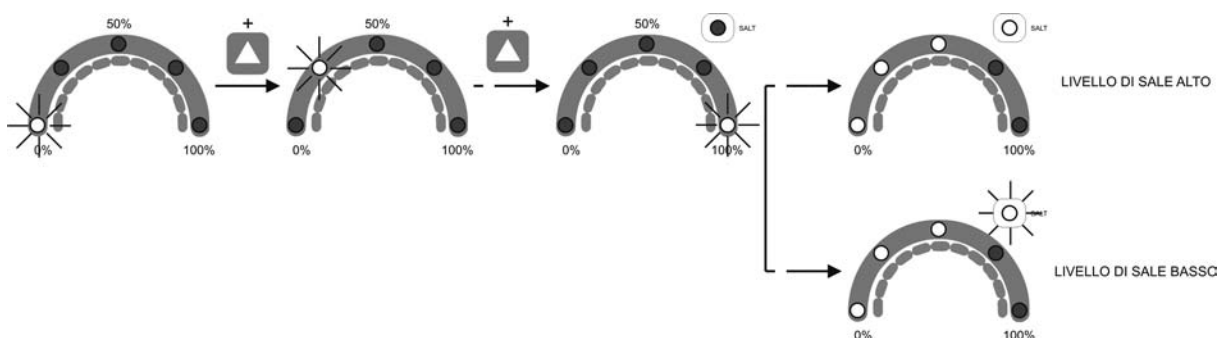


Fig. 16

- **LIVELLO D'ACQUA NELLA CELLULA / RIVELATORE DI FLUSSO (GAS)**

Qualora si formi una bolla d'aria o di gas nella parte superiore della cellula d'elettrolisi ed il RIVELATORE DI FLUSSO non sia sommerso, il sistema bloccherà automaticamente l'uscita di corrente verso gli elettrodi; tutti gli indicatori del sistema lampeggeranno costantemente. Il sistema verrà riavviato automaticamente non appena ristabilito il passaggio dell'acqua nella cellula o eliminata la bolla.

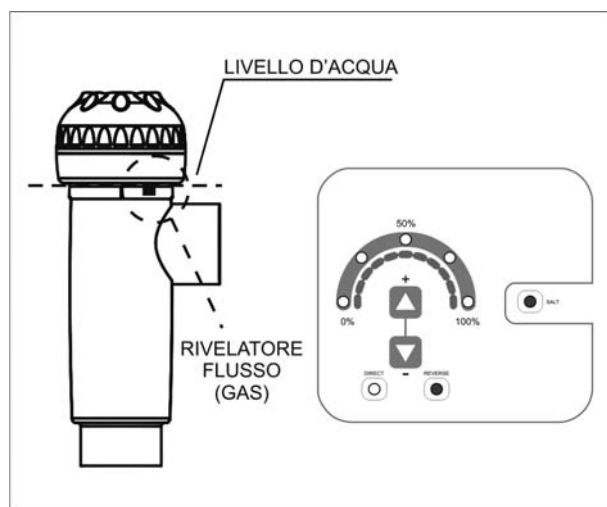


Fig. 17

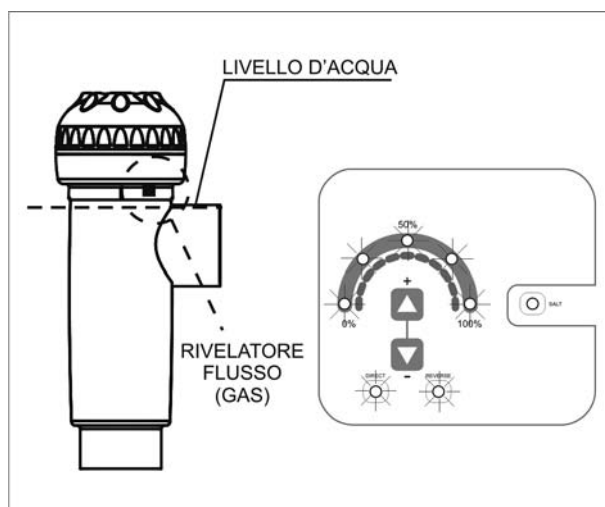


Fig. 18

1. Rivelatore di gas sommerso. Sistema operativo.

2. Gas rilevato. Sistema bloccato.

6. MANUTENZIONE:

La cella deve essere mantenuta nelle condizioni adeguate per assicurarle una lunga vita. Evitare che si formino incrostazioni calcaree sugli stessi. Il sistema per l'ELETTROLISI del SALE dispone di un sistema di pulizia automatica degli elettrodi, per questo non è prevista la realizzazione di nessuna pulizia aggiuntiva. Tuttavia, se fosse necessario effettuare la pulizia all'interno della cellula, procedere nel modo seguente:

1. Arresti il sistema di elettrolisi ed il resto di apparecchiatura della piscina.
2. Chiuda le valvole e svuoti la cellula di elettrolisi.
3. Svitare il dado di chiusura situato all'estremo dove si trovano gli elettrodi, ed estrarre il pacchetto degli elettrodi.
4. Utilizzare una soluzione diluita di acido cloridrico (una parte di acido cloridrico in 10 parti di acqua), immergendovi il pacchetto degli elettrodi per 10 minuti al massimo.
5. NON RASCHIARE NÉ SPAZZOLARE LA CELLA ELETTROLITICA.

Gli elettrodi di un sistema per l'ELETTROLISI del SALE sono costituiti da lamine di titanio ricoperte da uno strato di ossidi di metalli nobili. I processi di elettrolisi che si producono sulla sua superficie provocano un'usura progressiva, per ciò, allo scopo di ottimizzare il tempo di durata degli stessi, si dovrebbe tenere conto dei seguenti aspetti:

1. Nonostante si tratti di sistemi per l'ELETTROLISI del SALE AUTOPULENTI, un funzionamento prolungato del sistema a valori di pH superiori a 7,6 in acque di elevata durezza, può produrre l'accumulo di depositi calcarei sulla superficie degli elettrodi. Questi depositi deterioreranno progressivamente il rivestimento, causando una diminuzione della loro vita utile.
2. Puliture/lavaggi frequenti degli elettrodi (come quelli descritti precedentemente) accorceranno la loro vita utile.
3. Il funzionamento prolungato del sistema a salinità inferiori a 3 g/l causa un deterioramento prematuro degli elettrodi.
4. L'utilizzo frequente di prodotti alghicidi con alto contenuto di rame, può provocare la deposizione dello stesso sugli elettrodi, danneggiando progressivamente il rivestimento. Ricordare che il migliore alghicida è il cloro.

7. SOLUZIONE DEI PROBLEMI:

Staccare sempre l'apparecchio della rete elettrica prima di intraprendere ogni azione richiesta per risolvere possibili problemi. Qualsiasi problema che non è previsto nella lista seguente dovrà essere risolto da un tecnico autorizzato di AstralPool.

PROBLEMA	SOLUCION
L'indicatore di produzione indica sempre "0" in ogni livello di produzione scelto	Verificare lo stato degli elettrodi. Verificare le connessioni tra l'alimentatore e la cella elettrolitica. Verificare la concentrazione di sale.
L'alimentatore non si accende	Verificare che il sistema sia correttamente collegato a 230 V/50-60 Hz nel quadro di manovra della piscina. Verificare lo stato del fusibile situato nella parte inferiore dell'impianto.
Il livello di cloro libero nella piscina è basso	Verificare che il sistema produca cloro nel ritorno della piscina. Assicurarsi che i parametri chimici dell'acqua (pH, cloro combinato, acido isocianurico) siano corretti. Aumentare il tempo di filtraggio. Aggiungere stabilizzante di cloro (acido cianurico) fino a raggiungere un livello di 25-30 g./m ³ .

8. DATI TECNICI:

DETTAGLI TECNICI:

Tensione di alimentazione standard

230V AC - 50/60 Hz.
 Cavo: 3 x 1.5 mm², lung. 2 m.
 Smart 30 / 42347 0,18 A
 Smart 60 / 42348 0,36 A
 Smart 100 / 42349 0.72 A

Fusibile

Smart 30 / 42347 1 A T (5x20 mm)
 Smart 60 / 42348 2 A T (5x20 mm)
 Smart 100 / 42349 3,15 A T (5x20 mm)

Tensione d'uscita

9 V DC / Cavo: 3 x 4 mm², lung. 2 m.
 Smart 30 / 42347 - 6 A (2x3 A)
 Smart 60 / 42348 - 12 A (2x6 A)
 Smart 100 / 42349 - 24 A (2x12 A)

Produzione

Smart 30 / 42347 5 - 6 g./h.
 Smart 60 / 42348 10 - 12 g./h.
 Smart 100 / 42349 20 - 24 g./h.

Flusso minimo di acqua

Smart 30 / 42347 1 m³/h.
 Smart 60 / 42348 2 m³/h.
 Smart 100 / 42349 4 m³/h.

Numero di elettrodi

Smart 30 / 42347 3
 Smart 60 / 42348 5
 Smart 100 / 42349 7

Peso netto

Smart 30 / 42347 9 Kg.
 Smart 60 / 42348 11 Kg.
 Smart 100 / 42349 13 Kg.

CARATTERISTICHE GENERALI:

Sistema de controllo

- Microprocessore.
- Tastiera a membrana con pulsanti di controllo ed indicatori di funzionamento.
- E/U controllo: 2 entrate (tipo contatto libero di tensione) per stato della copertura automatica e controllatore esterno (ORP, CLORO RESIDUAL, etc.).
- Uscita cellula: controllo di produzione (5 livelli discrezionali).
- Gamma di salinità / Temperatura: 4 ... 6 g/l. / 15°C - 40°C.

Auto-pulizia

Inversione di polarità automatica

Temperatura d'operazione

0°C à +40°C

Refrigerazione: convezione naturale

Materiale

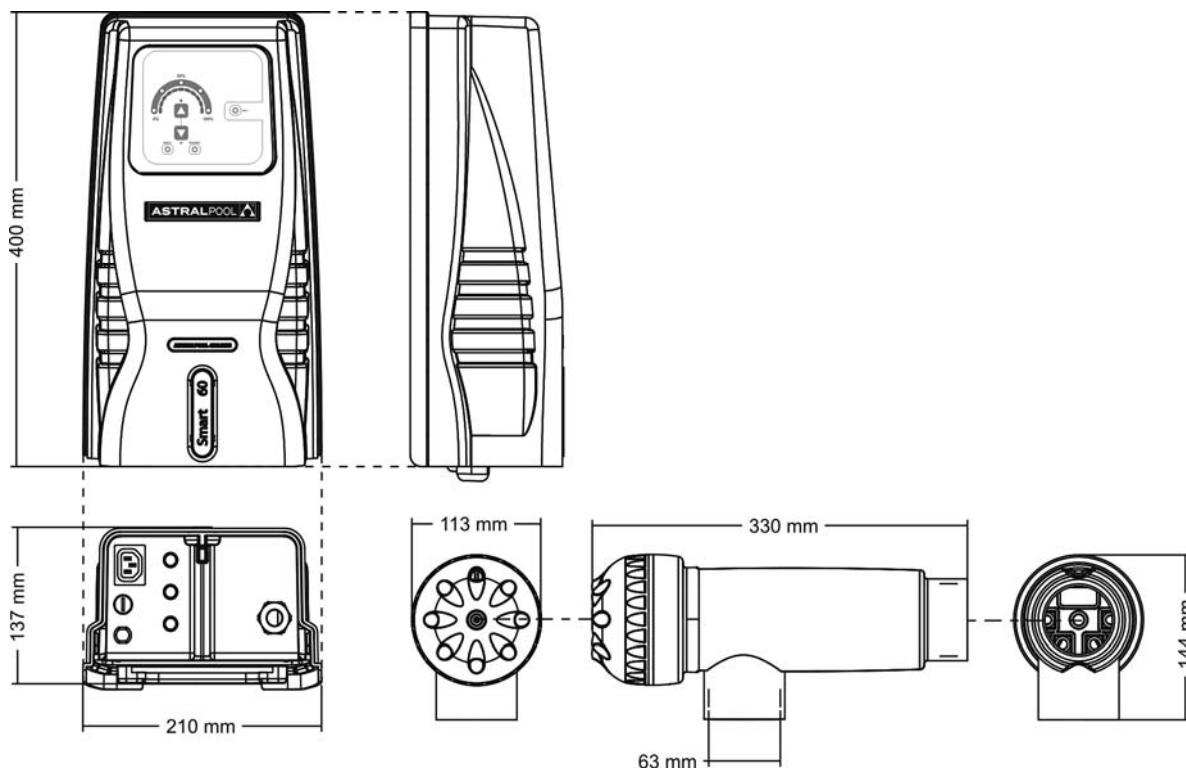
Alimentatore

- ABS blu
- Alluminio

Cellula d'elettrolisi

- Metacrilato blu

Dimensioni



9. CONDIZIONI DI GARANZIA:

9.1. ASPETTI GENERALI

- 9.1.1. Ai sensi delle presenti disposizioni, il venditore garantisce che il prodotto corrispondente a questa garanzia non presenta alcun difetto al momento della consegna.
- 9.1.2. Il periodo totale di garanzia per il prodotto è di 2 ANNI, calcolato dal momento della consegna all'acquirente. L'elettrodo è coperto da una garanzia di 2 ANNI (o 3.000 ore), non estendibile.
- 9.1.3. In caso di difetto del prodotto segnalato dall'acquirente al venditore durante il periodo di garanzia, il venditore sarà tenuto a riparare o sostituire il prodotto a proprie spese nel luogo che ritenga opportuno, salvo nel caso in cui ciò risulti impossibile o sproporzionato.
- 9.1.4. Nel caso in cui il prodotto non possa essere riparato o sostituito, l'acquirente potrà richiedere una riduzione proporzionale del prezzo ovvero, qualora il difetto sia sufficientemente importante, la risoluzione del contratto di vendita.
- 9.1.5. Le parti sostituite o riparate in virtù della presente garanzia non estenderanno la durata della garanzia del prodotto originale, sebbene siano coperte da una garanzia propria.
- 9.1.6. Affinché la presente garanzia sia efficace, l'acquirente dovrà poter certificare la data d'acquisto e di consegna del prodotto.
- 9.1.7. Qualora l'acquirente, trascorsi oltre sei mesi dalla consegna del prodotto allo stesso, ne dichiari un difetto, dovrà dimostrarne l'origine e l'esistenza.
- 9.1.8. Il presente Certificato di Garanzia non limita o pregiudica i diritti dei consumatori ai sensi delle vigenti norme legali nazionali di carattere imperativo.

9.2. CONDIZIONI PARTICOLARI

- 9.2.1. Affinché la presente garanzia sia efficace, l'acquirente dovrà seguire strettamente le indicazioni del fabbricante comprese nella documentazione allegata al prodotto, qualora essa risulti applicabile in base alla gamma ed al modello del prodotto.
- 9.2.2. Qualora venga specificato un calendario per la sostituzione, la manutenzione o la pulizia di determinate parti o componenti del prodotto, la garanzia sarà valida solamente nel caso in cui tale tempistica sia stata correttamente rispettata.

9.3. LIMITAZIONI

- 9.3.1. La presente garanzia sarà applicabile unicamente alle vendite eseguite nei confronti di consumatori; per "consumatori" si intendono le persone che acquistino il prodotto per scopi estranei alla rispettiva attività professionale.
- 9.3.2. Non verrà concessa alcuna garanzia a copertura della normale usura dovuta all'utilizzo del prodotto, né per i pezzi, i componenti e/o i materiali fungibili o di consumo (ad eccezione dell'elettrodo)
- 9.3.3. La garanzia non copre i casi in cui il prodotto: (i) sia stato oggetto di uso improprio: (ii) sia stato ispezionato, riparato, mantenuto o manipolato da personale non autorizzato: (iii) sia stato riparato o mantenuto con pezzi non originali o (iv) o sia stato installato o messo in servizio in modo improprio.
- 9.3.4. Qualora la mancanza di conformità del prodotto sia conseguenza di una impropria installazione o messa in servizio, la presente garanzia sarà valida nel caso in cui tale installazione o messa in servizio sia inclusa nel contratto di acquisto-vendita del prodotto e sia stata eseguita dal venditore o sotto la propria responsabilità.
- 9.3.5. Danni e difetti del prodotto dovuti alle seguenti cause:
 - Funzionamento a concentrazioni di salinità inferiori a 3 g/l di cloruro sodico e/o temperature inferiori a 15°C o superiori a 40°C.
 - Funzionamento in condizioni di pH superiore a 7,6.
 - Impiego di prodotti chimici non esplicitamente autorizzati.
 - Esposizione ad ambienti corrosivi e/o temperature inferiori a 0°C o superiori a 50°C .

WICHTIG: Das Handbuch mit den Betriebsanleitungen, das Sie in Händen halten, enthält wichtige Information über die anzuwendenden Sicherheitsmaßnahmen für die Installation und Inbetriebnahme. Es ist daher unerlässlich, dass die Anweisungen vom Installateur und vom Benutzer vor der Montage und Inbetriebnahme aufmerksam durchgelesen werden. Bewahren Sie dieses Handbuch auf, falls Sie zu einem späteren Zeitpunkt Informationen über die Funktion dieses Apparates nachschlagen.



Die Entsorgung der Abfälle von elektronischen Haushaltsgeräten bzw. sonstigen elektronischen Produkten in der Europäischen Union.

Alle Produkte die mit diesem Symbol markierte sind, zeigen an, dass diese nicht mit den restlichen elektronischen Haushaltsgeräten zusammen entsorgt werden dürfen. Die Verantwortung liegt beim Benutzer, dass die elektronischen Abfälle in die jeweiligen wiederverwertbaren Vorrichtungen entsorgt werden. Die richtige Behandlung und Verarbeitung von diesen Abfällen, trägt wesentlich zur Erhaltung der Umwelt und zur Erhaltung der Gesundheit der Benutzer bei. Um eine präzise Information über die Abholtellen von den Abfällen zubekommen, nimmt man Kontakt mit den Verantwortlichen der lokalen Stelle auf.

Für eine optimale Leistung des Astralpool Chlore Salzelektrolysesystems wird empfohlen, die folgenden Anweisungen zu befolgen:

1. ÜBERPRÜFEN SIE DEN INHALT DER VERPACKUNG

Im Inneren des Kartons befindet sich folgende Teile:

- Netzgerät
- Elektrolysezelle
- Betriebshandbuch

2. ALLGEMEINE KENNZEICHEN:

Nach der Montage Ihres Astralpool Chlore SALZELEKTROLYSE-SYSTEM ist es nötig, eine Grundmenge an Salz im Wasser aufzulösen. Dieses Salzwasser fließt durch die Elektrolysezelle, die sich im Filterkreislauf befindet. Die Salzelektrolyse-Anlage besteht aus zwei Bestandteilen: der Elektrolysezelle und dem Netzgerät. Die Elektrolysezelle enthält eine bestimmte Anzahl an Titanplatten (Elektroden), fließt durch diese elektrischer Strom, so wird aus der Salzlösung durch Elektrolyse, Chlor erzeugt.

Durch konstantes Einhalten eines bestimmten Chlorwertes im Beckenwasser, erhält man eine gleich bleibende Qualität. Eine Astralpool Chlore SALZELEKTROLYSE-ANLAGE stellt dann Chlor her, wenn das Strömungssystem des Pools (Pumpe und Filter) in Betrieb sind.

Das Netzgerät verfügt über verschiedene Alarmeinheiten, die bei einem abnormalen Verhalten der Anlage aktiviert werden. Das Produktionsüberwachungssystem wird über einen Mikroprozessor gesteuert.

Das Astralpool Chlore Salz-Elektrolyse-System verfügt über ein automatisches Reinigungssystem, das Kalkablagerungen an den Elektroden vorbeugt.

BESCHREIBUNG	MODELL		
	SMART 30 - Code 42347	SMART 60 - Code 42348	SMART 100 - Code 42349
Standard-Gebrauchsspannung	230 V AC, 50/60 Hz.		
Ausgang (dc)	6 A	12 A	24 A
Erzeugung (g/h)	5 - 6	10 -12	20 -24
Durchflussdetektor	Gasdetektor		
Salzgehalt/Temperatur rank	4 - 6 g./l. / 15°C - 40°C		
Elektroden	Titan mit SELBSTREINIGENDER Beschichtung Geschätzte Lebenszeit: 8.000 - 10.000 Betriebsstunden (abhängig von der Wasserart) ⁽²⁾		
Erzeugungssteuerung	0 - 100 % (5 Erzeugungsniveaus)		
Abdeckungssteuerung	Eingang für potenzialfreien Kontakt Produktionssenkung auf 10 % des Nennwerts mit geschlossener Abdeckung		
Polaritätswechsel	2 ⁽¹⁾ / 3 Stunden programmierbar + Testmodus (Jumper auf der Platine)		
Externe Steuerung	Eingang für freien Spannungskontakt mittels Jumper auf der Platine Logics: ON (Kontakt geschlossen) / OFF (Kontakt geöffnet)		
Salzstufenschutz	Automatischer Produktionsschutz		

⁽¹⁾ Vom Werk programmierte Vorgabewerte.

⁽²⁾ Unter idealen Bedingungen: Salzgehalt (6 g/l), pH (7.2), Wasserhärte (120 mg/l) und Kleinste Durchflussmenge.

3. SICHERHEITSHINWEISE UND EMPFEHLUNGEN:

- Das System muss von qualifiziertem Personal installiert werden.
- Unfallverhütungsmaßnahmen, sowie gültige Vorschriften für Elektroanlagen (VDE-Richtlinien) beachten.
- Der Hersteller haftet in keinem Fall für Montagen, Installationen oder Inbetriebnahmen oder für jegliche Handhabung oder den Einbau von Komponenten, die nicht im Werk des Herstellers erfolgten.
- Die AstralPool Chlore Salzelektrolyse Systeme (42347, 42348, 42349) funktionieren mit 230 V AC / 50-60 Hz. Versuchen Sie niemals, das System abzuändern, damit es mit einer anderen Spannung betrieben werden kann.
- Überprüfen Sie, ob alle Anschlüsse richtig sitzen, um Wackelkontakte und deren Überhitzung zu vermeiden.
- Vor dem Einbau oder Austausch eines Systembauteils bitte unbedingt darauf achten, dass vorher die Netzspannung getrennt wurde. Nur von AstralPool gelieferte Ersatzteile verwenden.
- Da das Gerät relativ viel Hitze erzeugt, muss es an einem gut belüfteten Ort installiert werden. Die Belüftungsöffnungen dürfen durch keinerlei Objekte verschlossen werden!
- Die Astralpool Chlore SalzElektrolyse Systeme (42347, 42348, 42349) entsprechen der Schutzart IP24. Sie dürfen niemals an Orten installiert werden, die überschwemmt werden können.
- Besitzt das Elektrolysegerät keinen Abdeckungssensor, so muss die Geräteleistung bei abgedecktem Schwimmbad auf ein Minimum gesenkt werden. Andernfalls könnte Chlorüberschuss entstehen, der die Schwimmbadeinbauteile (Edelstahlteile und PVC-Liner) beschädigen könnte.

4. MONTAGE:

4.1. Netzgerät

Das NETZGERÄT der Astralpool Chlore System immer SENKRECHT und auf einer festen Oberfläche (Mauer) montieren, so wie es im Montageplan dargestellt ist (Abb. 1). Um einen optimalen Erhaltungszustand zu erreichen, empfiehlt es sich das Gerät an einer trockenen und gut belüfteten Stelle zu montieren. Das NETZGERÄT des Astralpool Chlore Systems sollte nicht der Witterung ausgesetzt sein, denn es ist nicht Wasserdicht.

Vermeiden Sie insbesondere die Bildung ätzender Korrosionsmedien wegen der PH-vermindernden Lösungen (genau gesagt, die Formeln mit „HCl“-Salzsäure). Das Astralpool Chlore System nicht in der Nähe der Lagerungsorte dieser Produkte montieren. Wir empfehlen dringlichst die Benutzung von Produkten auf der Basis von Natriumhydrogensulfid oder aufgelöster Schwefelsäure. Der Anschluss des Netzgerätes an das Stromnetz muss im elektrischen Steuerkasten der Filteranlage (z.B. Filtersteuerung) erfolgen, so dass die Pumpe und das Astralpool Chlore System immer gleichzeitig betrieben werden.

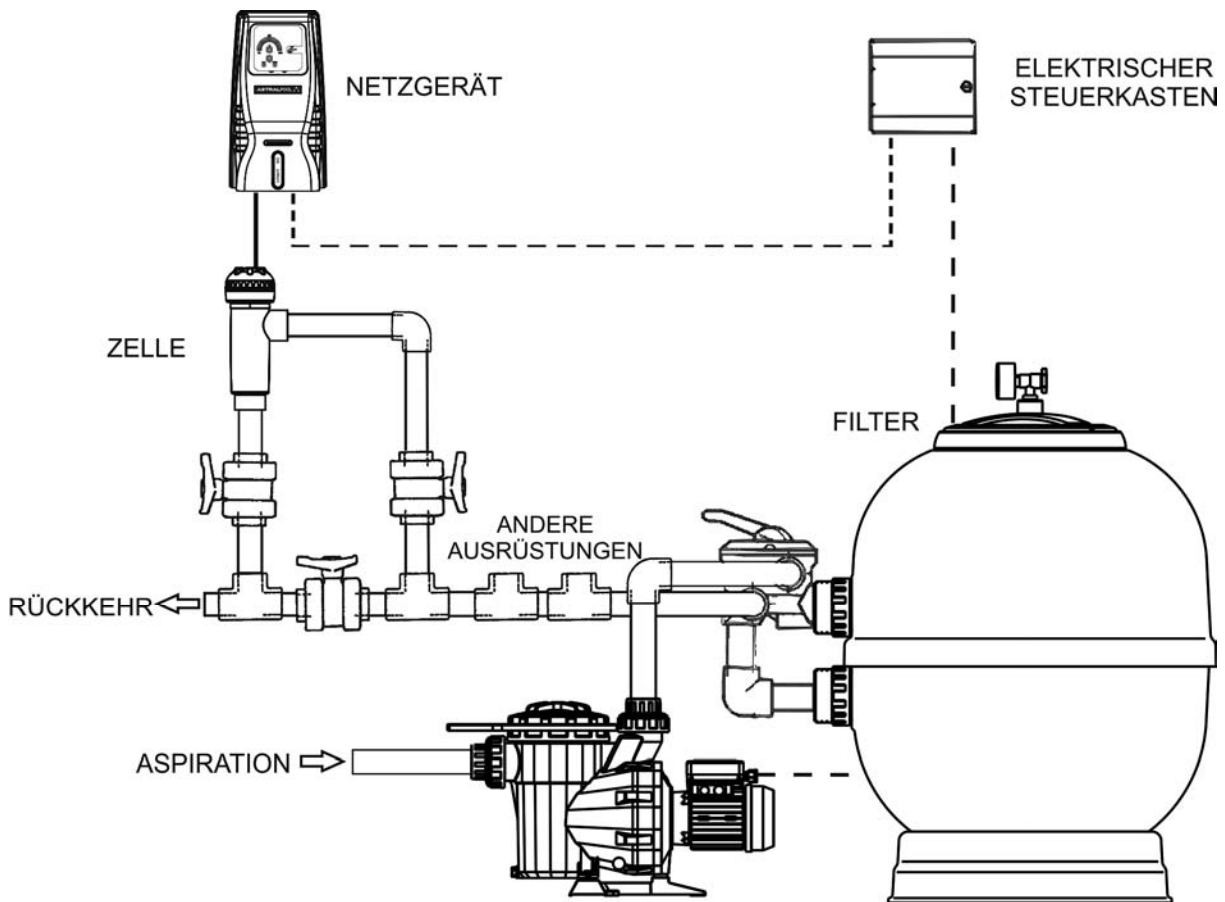


Abb. 1 Empfohlenes Installation Diagramm

4.2. Elektrolysezelle

Die Elektrolysezelle besteht aus durchsichtigem Kunststoff (Polymer). In ihrem Innern befinden sich die Elektroden. Die Elektrolysezelle sollte an einer trockenen, nicht der Witterung ausgesetzten Stelle, installiert werden und **immer nach dem Filter im Rohrleitungssystem eingebaut werden**. Wenn noch andere Elemente zur Anlage gehören wie z. B. Wärmepumpen, Steuerungssysteme, usw., sollten diese immer vor dem Elektrolysesystem angeschlossen werden.

Die Elektrolysezelle sollte an einer gut erreichbaren Stelle installiert werden, so dass der Benutzer die Elektroden gut erreichen kann. Am besten ist es, wenn die Elektrolysezelle **VERTIKAL** auf der Rohrleitung montiert wird und mit zwei Ventilen vom Rest der Anlage getrennt werden kann; dies erleichtert die Wartungsarbeiten ohne dass dazu das Schwimmbad ganz oder teilweise geleert werden muss.

Falls die Zelle im by-pass montiert wird (empfohlene Option), muss ein Ventil zur Regulierung der Strömung installiert werden. Bevor Sie mit der endgültigen Montage des Systems beginnen, sollten Sie folgende Ratschläge beachten:

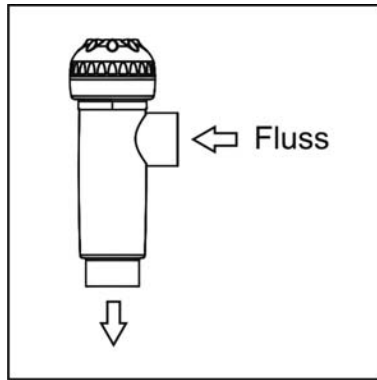


Abb.2

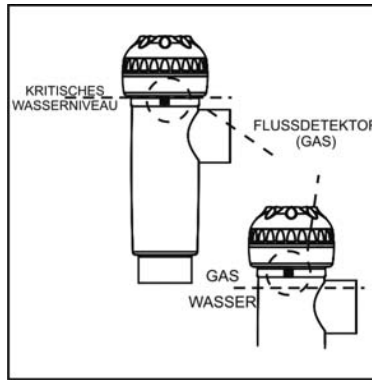


Abb.3

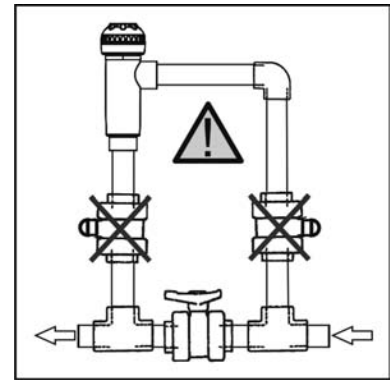


Abb.4

1. Die in der Zelle angegebene Strömungsrichtung muss unbedingt beachtet werden. Die in der Tabelle „TECHNISCHE ANGABEN“ angegebenen Mindestdurchflussmengen für die verschiedenen Modelle, müssen vom Umlaufsystem eingehalten werden. (Siehe Absatz 8).

2. Der Flussdetektor wird aktiviert wenn kein Wasserumlauf (Strömung) in der Zelle registriert wird oder wenn dieser sehr gering ist. Wenn das Gas bei der Elektrolyse nicht abgelassen wird, entstehen eine Blase welche die Hilfselektrode elektrisch isoliert (elektronische Detektion). Daher, wenn die Elektroden in die Zelle eingeführt werden, sollte sich die Niveausonde (Hilfselektrode) im oberen Bereich der Zelle befinden. Am besten sollten Sie die Hilfselektrode so platzieren wie auf der Abbildung dargestellt ist. Um eine übermäßige Schwingung der Elektroden zu vermeiden, sollten diese im Inneren der Zelle parallel zur Wasserströmung angebracht werden.

3. **ACHTUNG:** wenn beide Ventile, Eingangs und Ausgangsventil zur Rohrleitung, dort wo die Elektrolysezelle angeschlossen ist, gleichzeitig geschlossen werden funktioniert der Strömungs-Messer nicht richtig und kann sogar beschädigt werden. Obwohl dies fast nie vorkommt, kann man dieser Situation vorbeugen, indem man das Rücklaufventil zum Schwimmbad blockiert, nach dem das System installiert ist. So kann es nicht unabsichtlich geöffnet werden.

Man kann sie auch an einer anderen Stelle montieren, aber nur dann, wenn eine geringe Strömung registriert werden kann.

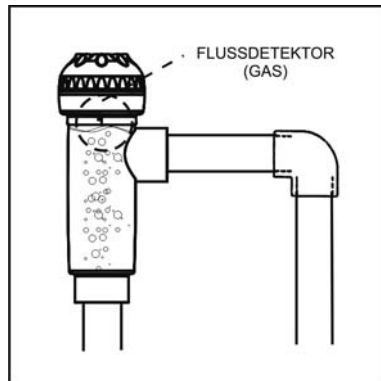


Abb.5

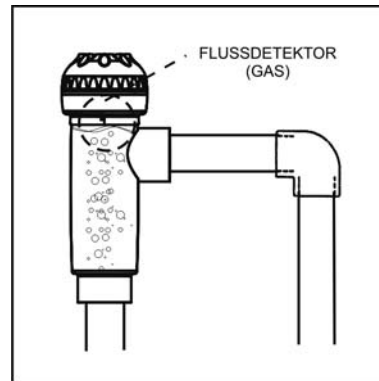


Abb.6

1. Empfohlene Installation

2. Erlaubte Installation

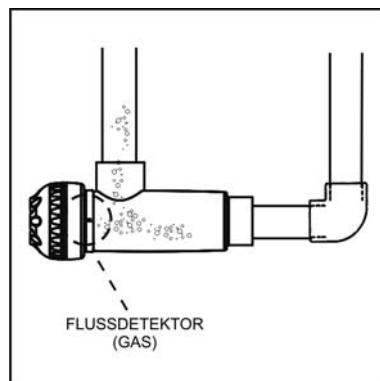


Abb.7

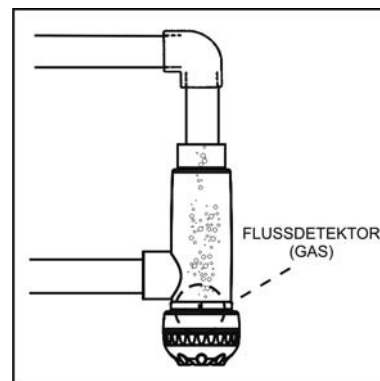


Abb. 8

3. Nicht erlaubte Installationen

Die Elektroden müssen in das Innere der Elektrolysezelle eingebaut werden, indem die Zentralelektrode der Baugruppe durch die Führungen im oberen und unteren Gehäuseteil der Zelle eingesetzt wird.

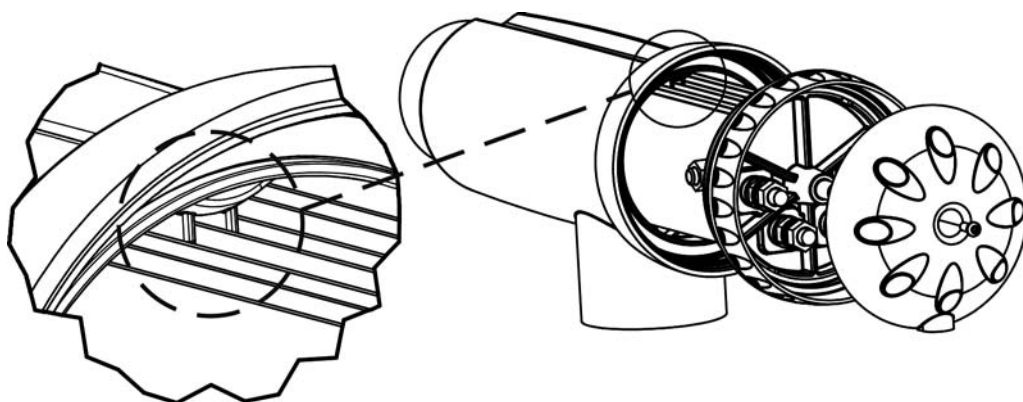
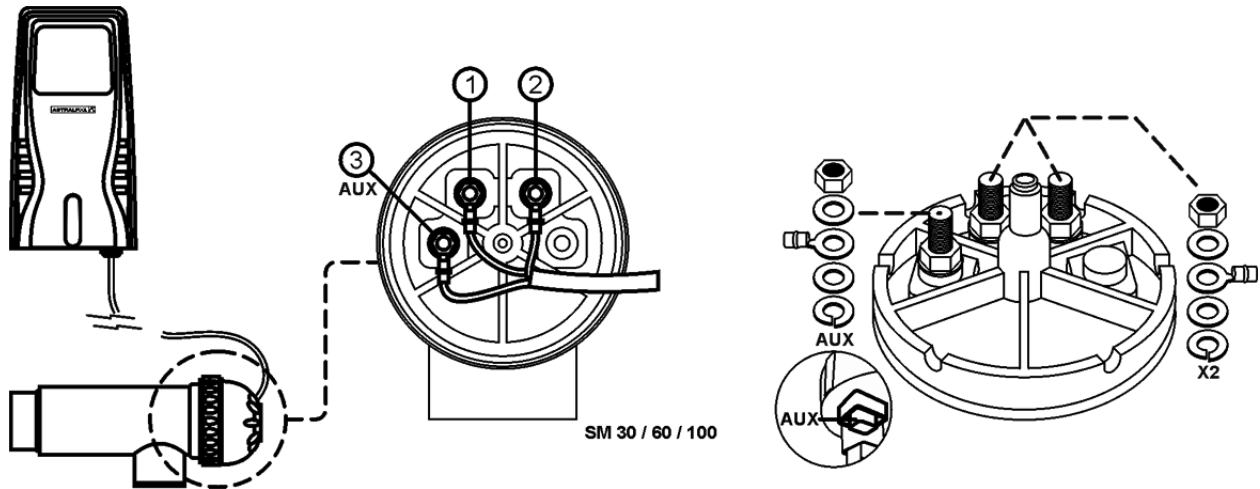


Abb. 9a

4.3. Elektrischer Anschluss der Elektrolysezelle

Der elektrische Anschluss, zwischen der Elektrolysezelle und dem Netzgerät ist gemäß der Darstellung durchzuführen. Wegen der relativ hohen Stromstärke, sollten die Stromkabel die mit der Elektrolysezelle verbunden sind, in keinem Fall gekürzt oder getrennt werden, ohne vorher den zugelassenen Fachhändler von ASTRALPOOL zu befragen. Das Anschlusskabel zwischen Zelle und Netzgerät muss die in diesem Handbuch angegebene Dicke einhalten: Smart 30 / 42347, 15 m.; Smart 60 / 42348, 7.5 m.; Smart 100 / 42349, 4 m.

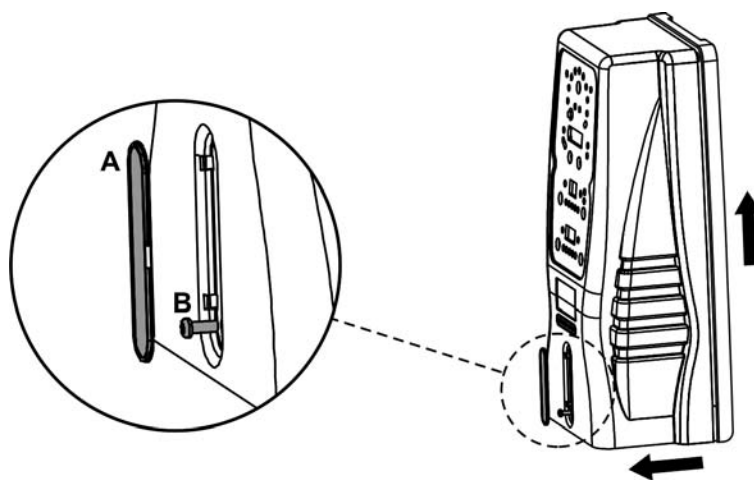


- 1.- Elektrode 1 (Rot)
- 2.- Elektrode 2 (Rot)
- 3.- Flusdetektor (Gelb)

Abb. 9b

4.4 Abnahme des Gehäuses

1. Nehmen Sie die Zierverkleidung (A) von der vorderen Gehäusesseite ab.
2. Lösen Sie die Befestigungsschraube (B) am unteren Teil des Geräts.
3. Nehmen Sie das Gehäuse ab, indem Sie es langsam nach oben und nach vorn ziehen.



4.5. Steuerungen und Anzeigeleuchten

Die AstralPool Chlore Elite Salzelektrolysesysteme sind mit einer auf der Vorderseite befindlichen Steuertafel ausgestattet (Abb. 10).

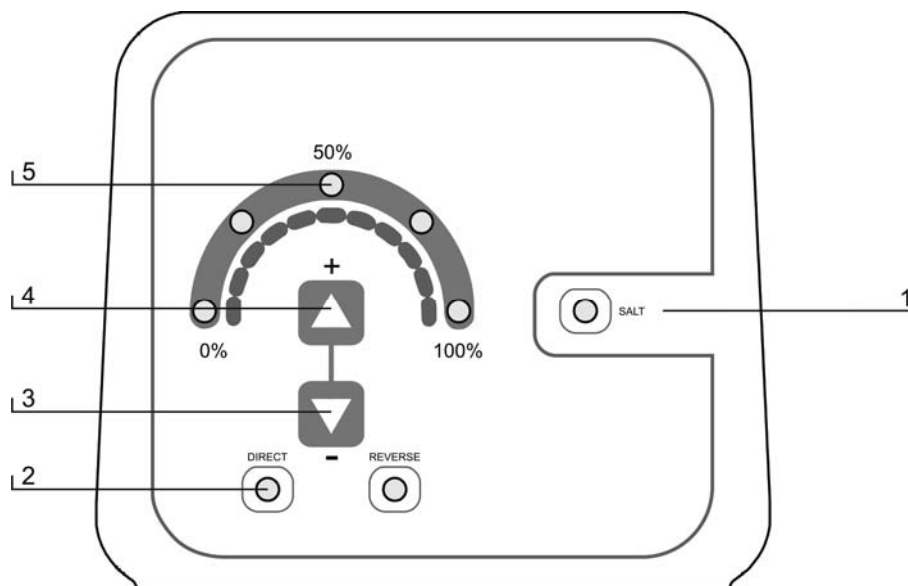


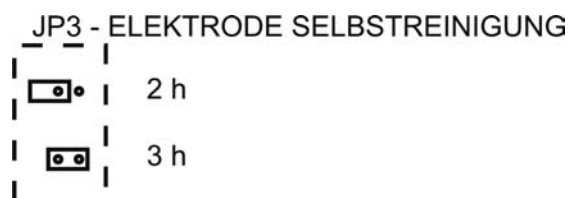
Abb. 10

1. Alarm für Salzgehalt
2. SELBSTREINIGUNGSANZEIGER (DIREKTE / UMGEKEHRTE Polarität)
3. „-“ Taste (Produktion senken)
4. „+“ Taste (Produktion erhöhen)
5. Produktionsanzeiger 0 ... 100 %

4.6. Programmierung und Steuerung

Außer den grundlegenden Operationen verfügt das AstralPool Chlore Smart Salzelektrolysesystem über einen externen Steuereingang über einen Controller für ORP-, Restchlor, usw., und über einen Eingang für die Einstellung der Geräteproduktion, wenn die automatische Abdeckung des Schwimmbads aktiviert wird. Außerdem ermöglicht er die Konfiguration der drei SELBSTREINIGUNGS-Modi der Elektroden: TEST, 2/2, 3/3 Stunden.

- **ELEKTRODENSELBSTREINIGUNGSSYSTEM:** die LEDs [2] zeigen den Polarisierungszustand der Elektroden (direkt / umgekehrt) an. Die Umkehrfrequenz kann mit dem auf der Systemsteuerplatte befindlichen „JP3“-Jumper gewählt werden (Abb. 11- 12).



Smart 30 / 60

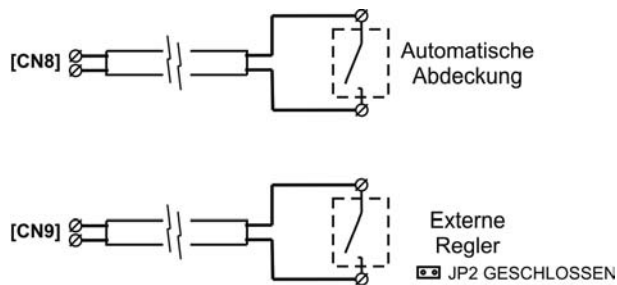
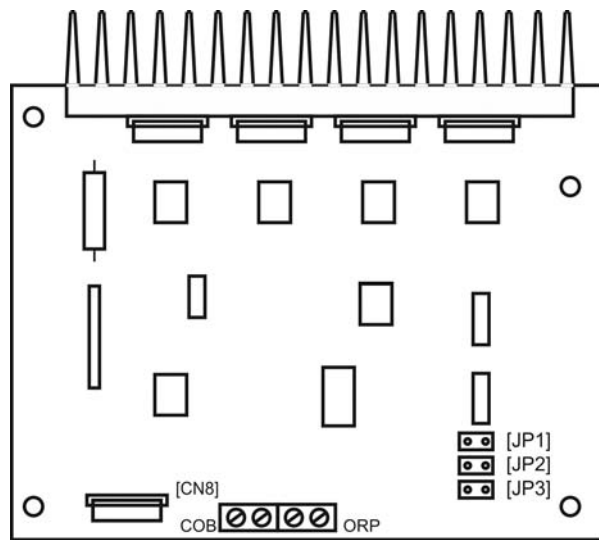


Abb. 11

Smart 100

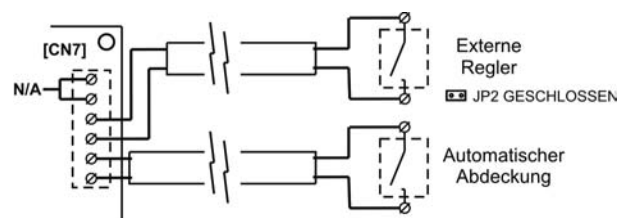
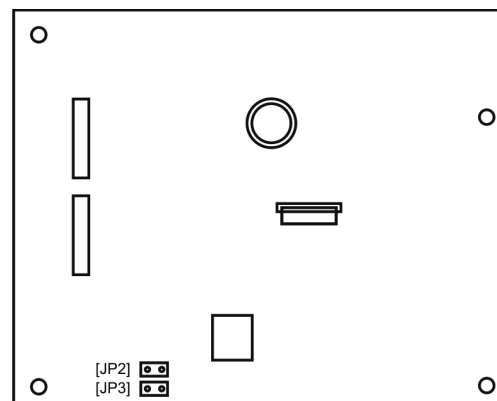
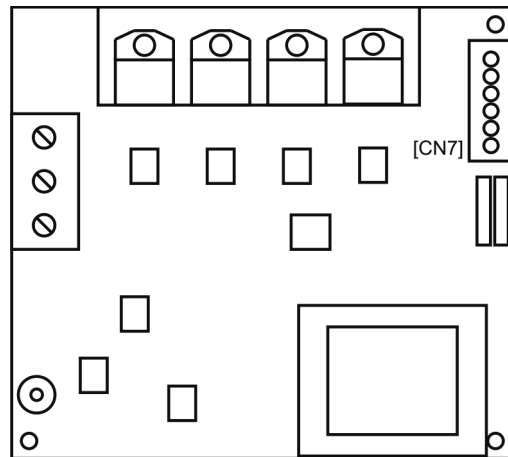
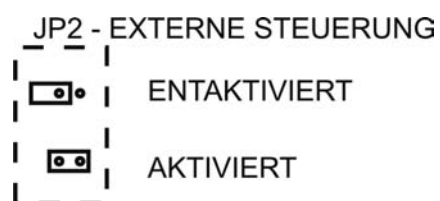


Abb. 12

- **Steuerung bei Nutzung einer AUTOMATISCHEN ABDECKUNG:** das System verfügt über einen spannungsfreien Kontakt **[COB]**. Schließt sich der an diesem Eingang angeschlossene Kontakt (automatische Abdeckung GESCHLOSSEN), senkt das Elektrolysesystem seine Produktion auf 10 % des Nennwerts.
- **EXTERNE Steuerung:** das System verfügt über einen zusätzlichen Hilfeingang für einen spannungsfreien Kontakt **[ORP]**. Dieser Eingang kann verwendet werden, damit das Elektrolysesystem mit einem externen Controller (ORP, RESTCHLOR, FOTOMETER, usw.) geschaltet werden kann. Ist der an diesen Eingang angeschlossene Kontakt GEÖFFNET, stoppt das Elektrolysesystem. Um diesen Eingang einzuschalten, muss der auf der Steuerplatte des Geräts befindliche „**JP2**“-Jumper gewählt werden.



4.7. Inbetriebnahme

1. Vergewissern Sie sich, dass der Filter 100% sauber ist und dass im Pool und in der Anlage kein Kupfer, Eisen oder Algen vorhanden sind. Überprüfen Sie, ob eine bestehende Pool-Heizanlage (QWT, HWT oder EWT) kompatibel ist, bei der Nutzung einer Salzelektrolyseanlage!.

2. Schwimmbadwasser ausgleichen. Dann wird die Wasserpflege wirkungsvoller mit einem geringeren Gehalt an freiem Chlor im Wasser. Dies erhöht auch die Lebensdauer der Elektroden und vermindert die Kalkablagerungen im Pool.

a) Der pH-Wert muss zwischen 7.2 und 7.6 liegen

b) Die Gesamtalkalinitätswerte sollten bei 60-120 ppm liegen.

3. Obwohl das AstralPool Chlore Smart System bei einem Salzgehalt von 4 - 6 g/l arbeiten kann, sollte der empfohlene Mindestsalzgehalt von 5 g/l durch Beigabe von 5 kg pro m³ Wasser eingehalten werden, wenn das Wasser vorher kein Salz enthalten hat. Verwenden Sie immer nur gewöhnliches Salz (Natriumchlorid), das zum menschlichen Verbrauch geeignet ist, ohne Zusatzstoffe wie Jodverbindungen oder Pudermittel. Geben Sie das Salz direkt in den Pool oder in das Ausgleichsgefäß (möglichst weit vom Pool Abfluss entfernt).

4. Wenn Sie das Salz hinzu gegeben haben und den Pool gleich nutzen wollen, muss eine Grundchlorierung vorgenommen werden. Als Anfangsdosierung können 2 g./m³ Trichlorisocyanursäure hinzugefügt werden.

5. Bevor Sie die Anlage in Betrieb nehmen, ist es ratsam das Netzgerät auszuschalten und die Pumpe der Filteranlage, 24- Stunden durchlaufen lassen, damit sich das Salz vollständig auflösen kann. In dieser Zeit sollte die Wasserabsaugung nur durch die Senke erfolgen, denn dies beschleunigt die Salzauflösung.

6. Danach die Salzelektrolyse-Anlage in Betrieb nehmen und die Leistungsstufe so einstellen, dass die Werte des freien Chlores sich im empfohlenen Rahmen halten (0.5 - 1.5 ppm).

HINWEIS: Um die Konzentration des freien Chlors festzustellen, ist ein Analysenkit zu verwenden.

7. Bei Schwimmbädern mit einer hohen Sonneneinstrahlung oder mit einer intensiven Nutzung, sollten die Stabilisierungsmittel-Werte (Isocyanursäure) bei 25-30 g./m³ gehalten werden. Auf keinen Fall ist ein Konzentration von 75 g./m³ zu überschreiten. Dies ist sehr hilfreich um den Abbau des freien Chlors im Wasser zu vermeiden, bedingt durch die Einwirkung von Sonnenlicht.

5. BETRIEB

5.1. System gestoppt

Das System schaltet auf „WARTEZUSTAND“, wenn die „-“ [e] Taste so oft gedrückt wird, bis die „0 %“ LED blinkt. In dieser Situation erfolgt keine Produktion in der Elektrolysezelle.

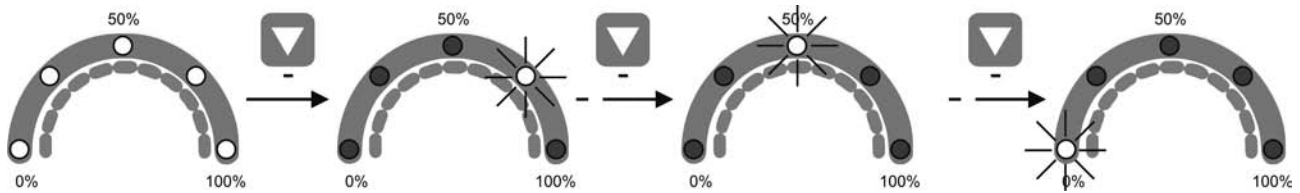


Abb. 13

5.2. Auswahl der Produktionsstufe

Um die gewünschte Produktionsstufe zu wählen, nacheinander die Tasten „-“ [4] / „+“ [3] drücken, bis die LED für die gewünschte Produktionsstufe blinkt. Nach einigen Sekunden, beginnt das System mit der Produktion auf der gewählten Stufe.

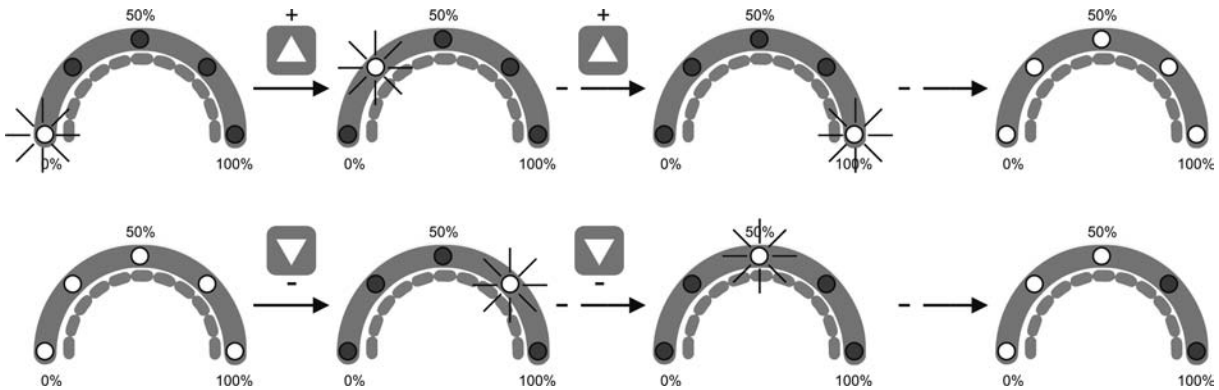


Abb. 14



WINTER Modus: während der Zeiträume mit niedriger Wassertemperatur ein Produktionsniveau [1] zwischen „50%“ auserwählt. Diese Weise den Stromverbrauch und die Lebensdauer des Pakets von Elektroden optimiert sind.

5.3. TEST-Modus

Um in den TEST-MODUS zu gelangen, muss die Produktion anhand von mehrmaligem Betätigen der „-“ [3]-Taste gesenkt werden (Abb. 13).

Nachdem das System stillsteht, diese Taste 5- Sekunden lang drücken. Das System zeigt an, dass es sich im TEST-MODUS befindet, da alle LEDs eine Sekunde lang leuchten.

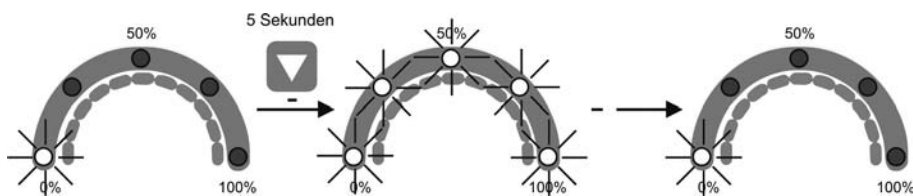


Abb. 15

Wenn das System in den TEST-MODUS übergeht, setzt es den Programmierschalter für Polaritätswechsel und die gewählte Produktionsstufe auf Null. In diesem Modus ist das System komplett betriebsfähig, während die Polaritätsumkehrungen der Elektroden **alle 2 Minuten** erfolgt. Um den TEST-MODUS zu beenden, muss die 230 V Netzversorgung ausgeschaltet werden.

Wenn sich das System im TEST-MODUS befindet, blinkt die Polaritätsanzeige-LED „DIRECT - REVERSE“ [2].

5.4. Alarmmeldungen

- **HOHER SALZWERT**

Wurde zu viel Salz zugegeben, senkt die Versorgungsquelle automatisch die Produktion im Vergleich zum automatisch gewählten Wert. Die LED „SALT“ [1] leuchtet weiter. In diesem Fall muss ein Teil des Schwimmbads (zum Beispiel 10 %) geleert und frisches Wasser hinzugefügt werden, um die Salzkonzentration zu senken. Um den Salzgehalt genau zu festzustellen, wird der Einsatz eines tragbaren Salzgehalt- /Temperaturmessgeräts empfohlen.

- **NIEDRIGER SALZWERT**

Sollte der Salzgehalt des Schwimmbadwassers unter dem empfohlenen Wert liegen, kann die Versorgungsquelle den gewählten Ausgangswert nicht erreichen. Die LED „SALT“ [1] blinkt. In diesem Fall muss der Salzgehalt des Wassers festgestellt und die notwendige Salzmenge zugesetzt werden. Das für die Salzelektrolyse geeignete Speisesalz (NaCl) darf keine Zusatzstoffe (gegen Verklumpung, Jodid) enthalten und muss für den menschlichen Verzehr geeignet sein. Möglicherweise zeigt das System niedrige Salzwerte an, wenn die Temperatur unter 20 °C liegt oder die Ende der Lebensdauer der Elektroden erreicht wurde. Um den Salzgehalt genau zu festzustellen, wird der Einsatz eines tragbaren Salzgehalt- /Temperaturmessgeräts empfohlen.

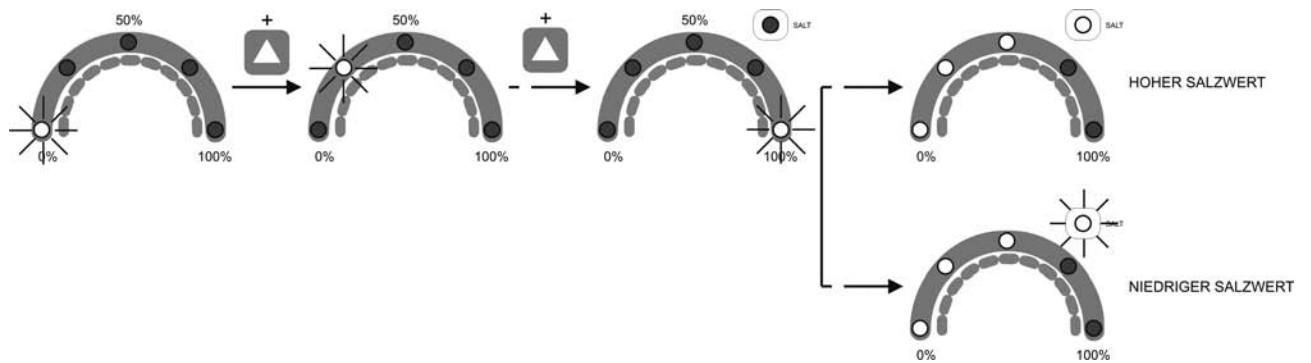


Abb. 16

- **WASSERSTAND IN DER ZELLE / FLUSSDETEKTOR (GAS)**

Sollte sich eine Luft- oder Gasblase im oberen Teil der Elektrolysezelle bilden und der FLUSSDETEKTOR nicht eingetaucht sein, schaltet das System automatisch den Stromausgang Richtung Elektroden ab und alle System-LEDs blinken. Sobald der Durchfluss durch die Zelle wieder hergestellt oder die Luftblase entwichen ist, startet das System automatisch neu.

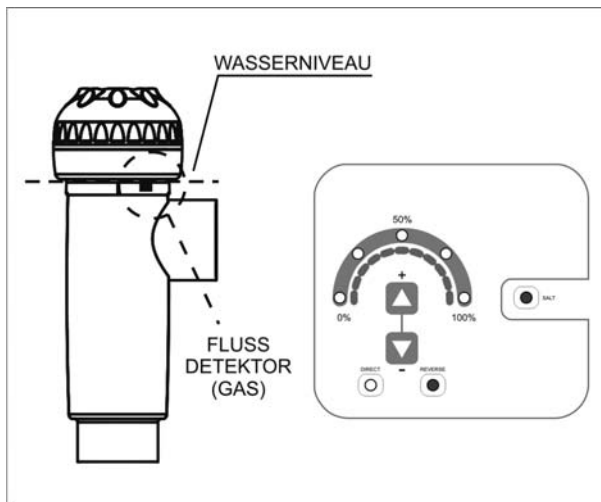


Abb. 17

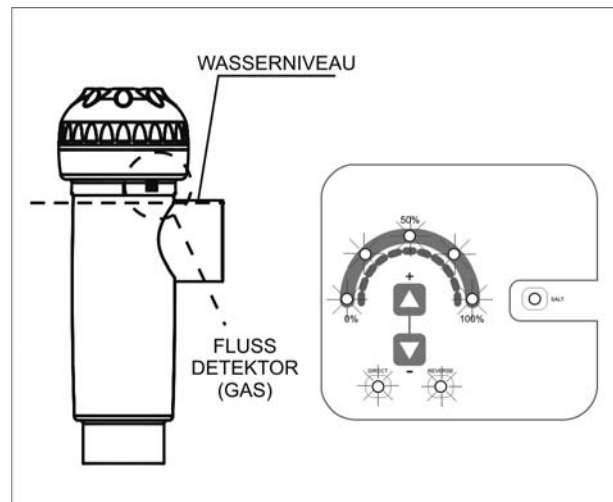


Abb. 18

1. Gasdetektor eingetaucht. System in Betrieb.

2. Gas entdeckt. System gestoppt.

6. WARTUNG:

Die Elektrolysezelle muss in optimalen Zustand gehalten werden um eine lange Betriebsdauer zu garantieren. Die Salzelektrolyse-Anlage verfügt über ein Selbstreinigungssystem der Elektroden. So können Kalkablagerungen vermieden werden und die Elektroden müssen auch nicht gereinigt werden. Wenn es aber doch notwendig sein sollte, das Innere der Zelle zu reinigen, müssen folgende Schritte beachtet werden:

1. Elektrolysesystem und restliche Schwimmbadgeräte stoppen.
2. Ventile schließen und Wasser aus dem Elektrolysegehäuse entleeren.
3. Verschlusschraube am Ende, an dem sich die Elektroden befinden, lösen und Elektrodenpaket herausnehmen.
4. Eine in Salzsäure aufgelöste Lösung (ein Anteil Säure und 10 Anteil Wasser) verwenden und das Elektrodenpaket für 10- Minuten lang in diese Lösung eintauchen.
5. DIE ZELLE UND DIE ELEKTRODEN NIEMALS ABKRATZEN ODER BÜRSTEN.

Die Elektroden einer Salzelektrolyse-Anlage bestehen aus Titanplättchen mit einer Beschichtung aus Edelmetalloxiden. Der Elektrolyseprozess, der auf der Oberfläche der Elektroden stattfindet, bewirkt auf die Dauer einen Verschleiß, daher sollte man folgende Hinweise beachten, wenn man die Lebensdauer der Elektroden aufs möglichste verlängern will.

1. Obwohl die Salzelektrolyse-Anlage ein SELBSTREINIGENDES System ist, bei einem langandauernden Betrieb mit pH-Werten über 7,6 bei sehr hartem Wasser können Kalkablagerungen auf den Elektroden vorkommen. Wenn diese nicht entfernt werden, beschädigen sie die Beschichtung der Elektroden auf die Dauer und verkürzen somit die Lebensdauer.
2. Das Elektrodenpaket sollte nicht zu oft gereinigt werden, nach den oben angegebenen Anleitungen.
3. Wenn die Anlage während langer Zeit mit einem niedrigen Salzgehalt (3 g/l) in Betrieb ist, kann dies zu einer frühzeitigen Abnutzung der Elektroden führen.
4. Wenn häufig Algicide mit hohen Kupfergehalten verwendet werden, kann es sein, dass sich das Kupfer auf den Elektroden ablagert und so auf die Dauer deren Beschichtung schädigt. Das beste Algicid ist das Chlor. cida es el cloro.

7. STÖRUNGEN / BEHEBUNG:

Bei jedem Eingriff zur Behebung einer Störung muss das Gerät vom Stromnetz getrennt werden. Zur Behebung jeglicher Störung, die in der folgenden Auflistung nicht enthalten ist, sollte ein Servicetechniker von AstralPool hinzugezogen werden.

STÖRUNG	BEHEBUNG
Der Produktionsanzeiger zeigt in allen gewählten Produktionsstufen immer "0" an	Elektrodenzustand überprüfen. Elektrische Anschlüsse zwischen dem Netzgerät und der Elektrolysezelle überprüfen. Den Salzgrad prüfen.
Das Netzgerät schaltet sich nicht ein	Überprüfen, ob die Anlage genügend Stromzuführung hat (230 V / 50-60 Hz) über den Steuerkasten der Filteranlage. Sicherung am unteren Teil des Netzgerätes überprüfen.
Der Chlorspiegel im Wasser liegt zu tief	Überprüfen, ob das System im Rücklauf des Schwimmbads Chlor erzeugt. Überprüfen, ob die chemischen Parameter (pH, gebundenes Chlor, Isocyanursäure) korrekt sind. Filteranlage länger laufen lassen. Stabilisierungsmittel dazugeben (Isocyanursäure o) bis ein Gehalt von 25-30 g./m ³ erreicht wird.

8. TECHNISCHE ANGABEN:

TECHNISCHE DATEN:

Standard-Gebrauchsspannung

230V AC - 50/60 Hz.
 Cable: 3 x 1.5 mm², läng. 2 m.
 Smart 30 / 42347 0,18 A
 Smart 60 / 42348 0,36 A
 Smart 100 / 42349 0.72 A

Sicherung

Smart 30 / 42347 1 A T (5x20 mm)
 Smart 60 / 42348 2 A T (5x20 mm)
 Smart 100 / 42349 3,15 A T (5x20 mm)

Ausgangsspannung

9 V DC / Cable: 3 x 4 mm², long. 2 m.
 Smart 30 / 42347 - 6 A (2x3 A)
 Smart 60 / 42348 - 12 A (2x6 A)
 Smart 100 / 42349 - 24 A (2x12 A)

Erzeugung

Smart 30 / 42347 5 - 6 g./h.
 Smart 60 / 42348 10 - 12 g./h.
 Smart 100 / 42349 20 - 24 g./h.

Kleinste Durchflussmenge

Smart 30 / 42347 1 m³/h.
 Smart 60 / 42348 2 m³/h.
 Smart 100 / 42349 4 m³/h.

Elektrodenanzahl

Smart 30 / 42347 3
 Smart 60 / 42348 5
 Smart 100 / 42349 7

Nettogewicht

Smart 30 / 42347 9 Kg.
 Smart 60 / 42348 11 Kg.
 Smart 100 / 42349 13 Kg.

ALLGEMEINE KENNZEICHEN:

Steuerungssystem

- Mikroprozessor.
- Membrantastatur mit 2 Steuerschaltern und Betriebsanzeige-LEDs.
- Steuerein-/ausgang: 2 Eingänge vom Typ spannungsfreier Kontakt, für den Zustand der automatischen Abdeckung und externer Controller (ORP, RESTCHLOR, usw.).
- Ausgang zur Zelle: Produktionskontrolle (5 diskrete Stufen).
- Salzgehalt/Temperatur rank: 4 ... 6 g/l. / 15°C - 40°C

Selbstreinigung

Automatisch, durch Polumkehrung

Arbeitstemperatur

Von 0°C bis +40°C

Kühlung, por convección natural

Material

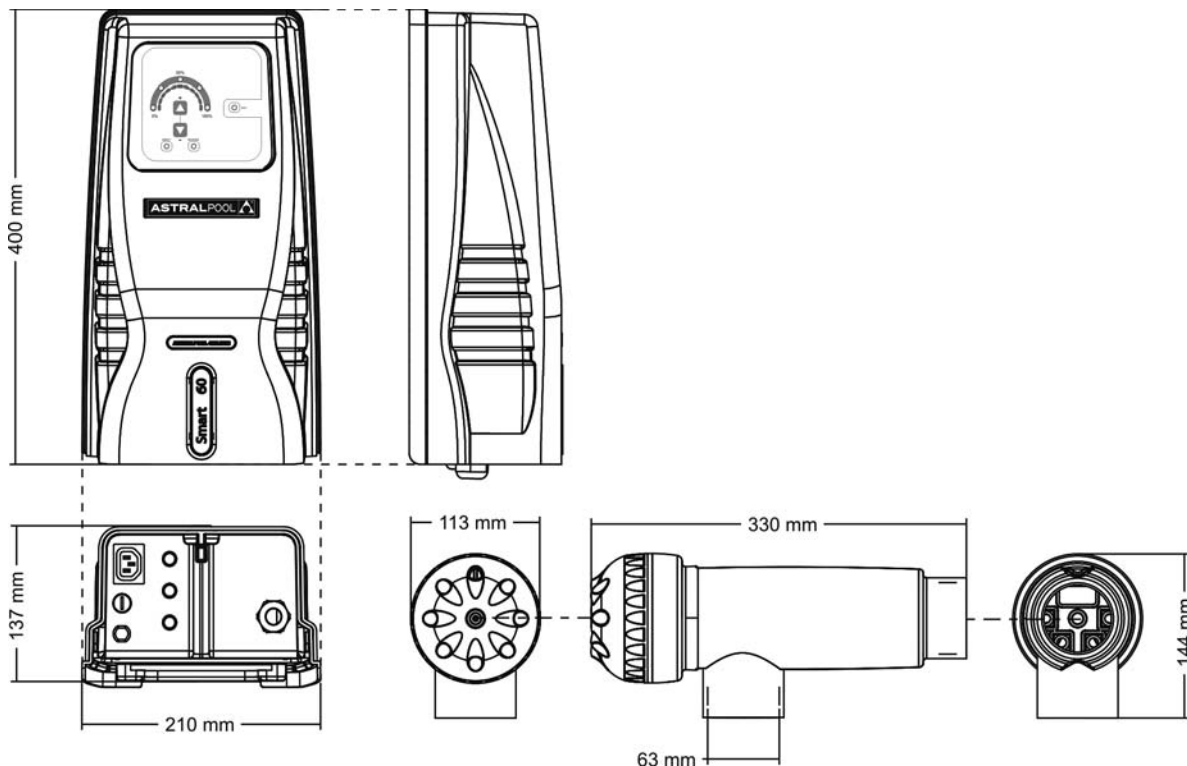
Netzgerät

- Blaues ABS
- Aluminium

Elektrolysezelle

- Blaues Methacrylat

Abmessungen



9. GARANTIEBEDINGUNGEN:

9.1. ALLGEMEINE VORGABEN:

- 9.1.1. Gemäß dieser Vorgaben garantiert der Verkäufer, dass das zu dieser Garantie gehörende Produkt zum Zeitpunkt der Übergabe keinen Konformitätsmangel aufweist.
- 9.1.2. Die Gesamtgarantiedauer für das Produkt beträgt 2 JAHRE und wird vom Zeitpunkt der Übergabe an den Käufer berechnet. Die Elektrode ist mit einer unverlängerbaren Garantie von 2 JAHRE (oder 3.000 Stunden) gedeckt.
- 9.1.3. Sollte während des Garantiezeitraums ein Konformitätsmangel am Produkt eintreten und der Käufer diesen dem Verkäufer mitteilen, muss der Verkäufer das Produkt auf eigene Kosten an dem von ihm erachteten Ort reparieren oder ersetzen - außer wenn dies unmöglich oder unverhältnismäßig wäre.
- 9.1.4. Kann das Produkt nicht repariert oder ersetzt werden, kann der Käufer eine anteilmäßige Preissenkung anfordern. Ist der Konformitätsfehler jedoch relevant genug, kann er die Auflösung des Kaufvertrags fordern.
- 9.1.5. Die laut dieser Garantie ersetzten oder reparierten Teile verlängern die Garantiefrist des Originalprodukts nicht, haben aber ihre eigene Garantie.
- 9.1.6. Für die Wirksamkeit dieser Garantie muss der Käufer das Kauf- und Lieferdatum des Produkts nachweisen.
- 9.1.7. Sind seit Produktübergabe an den Käufer mehr als sechs Monate vergangen und zeigt dieser einen Konformitätsmangel an, muss der Käufer den Ursprung und das Vorhandensein des angeführten Fehlers nachweisen.
- 9.1.8. Das vorliegende Garantiezertifikat beschränkt oder bedingt die Ansprüche, die den Kunden aufgrund zwingender nationaler Vorschriften zustehen, nicht.

9.2. SONDERBEDINGUNGEN

- 9.2.1. Für die Wirksamkeit dieser Garantie muss der Käufer die Herstelleranweisungen, die in den Begleitunterlagen des Produkts enthalten und laut Produktserie und -modelle anwendbar sind, genau einhalten.
- 9.2.2. Wird ein Zeitplan für Ersatz, Wartung oder Reinigung bestimmter Teile oder Bauteile des Produkts spezifiziert, ist die Garantie nur gültig, wenn dieser Zeitplan ordnungsgemäß eingehalten wurde.

9.3. EINSCHRÄNKUNGEN

- 9.3.1. Die vorliegende Garantie ist nur bei Verkäufen an Verbraucher anwendbar, wenn unter „Verbraucher“ die Person gemeint ist, die das Produkt nicht für berufliche Zwecke erworben hat.
- 9.3.2. Für den normalen Verschleiß durch den Produkteinsatz, wie auch für Teile, Bauteile u. /o. Verbrauchsmaterial (ausgenommen: die Elektrode) wird keine Garantie erteilt.
- 9.3.3. Die Garantie deckt keine Fälle, bei denen das Produkt: (i) fehlerhaft eingesetzt; (ii) von nicht zulässigen Personen untersucht, repariert, gewartet oder manipuliert; (iii) mit Nichtoriginalteilen repariert oder gewartet oder (iv) fehlerhaft eingebaut oder in Betrieb genommen wurde.
- 9.3.4. Ist der Konformitätsmangel des Produkts eine Folge fehlerhaften Einbaus oder Inbetriebnahme, findet die vorliegende Garantie nur Anwendung, wenn diese Anlage oder Inbetriebnahme im Kaufvertrag des Produkts enthalten ist oder vom Verkäufer oder unter dessen Zuständigkeit durchgeführt wurde.
- 9.3.5. Bei Schäden oder Produktfehlern, die durch eine der folgenden Ursachen bedingt sind:
 - o Betrieb bei Salzgehalten unter 3 g/l Natriumchlorid und/oder Temperaturen unter 15°C oder über 40°C.
 - o Betrieb bei über 7,6 pH.
 - o Verwendung ausdrücklich unzulässiger Chemikalien.
 - o Korrosiven Umgebungen u. / o. Temperaturen unter 0°C oder über 50°C.

IMPORTANTE: O manual de instruções que você tem nas mãos contém informação fundamental sobre as medidas de segurança a tomar ao realizar a instalação e a colocação em funcionamento. Por isso, é imprescindível que tanto o instalador como o utilizador leiam as instruções antes de realizar a montagem e a colocação em funcionamento. Guarde este manual para futuras consultas sobre o funcionamento deste aparelho.



Eliminação de resíduos de sistemas domésticos eléctricos e electrónicos na União Europeia.

Todo o produto marcado com este símbolo indica que não pode ser eliminado juntamente com o resto dos resíduos domésticos quando termina a sua vida útil. É da responsabilidade do utilizador eliminar este tipo de resíduo, depositando num local adequado para a reciclagem de resíduos eléctricos e electrónicos. O tratamento e reciclagem adequados destes resíduos contribui de forma essencial para a preservação do Meio Ambiente e saúde dos utentes. Para obter uma informação mais precisa sobre os pontos de recolha deste tipo de resíduos, deve contactar com as autoridades locais.

Para conseguir um óptimo rendimento dos Sistemas de Electrólise Salina Astralpool Chlore, observe as instruções indicadas abaixo:

1. VERIFIQUE O CONTEÚDO DA EMBALAGEM:

Dentro da caixa encontrará os seguintes acessórios:

- Fonte de alimentação.
- Célula de electrólise.
- Manual de Operação

2. CARACTERÍSTICAS GERAIS:

Uma vez instalado o seu sistema de Electrólise Salina Astralpool Chlore é necessário dissolver uma quantidade de sal na água. Esta água salina circula através da célula de electrólise situada no depurador. O sistema de Electrólise Salina Astralpool Chlore compõe-se por dois elementos: uma célula de electrólise e uma fonte de alimentação. A célula de electrólise contém um número determinado de pontos de titânio (eléctrodos), de modo que, ao fazer circular uma corrente eléctrica e enquanto a solução salina passa através dos mesmos, produz-se cloro livre.

A manutenção de certo nível de cloro na água da piscina garantirá a qualidade sanitária. Um sistema de Electrólise Salina Astralpool Chlore produzirá cloro quando o sistema de recirculação da piscina (bomba e filtro) estão operativos.

A fonte de alimentação conta com vários dispositivos de segurança, os quais se activam em caso de funcionamento anómalo do sistema, bem como com um micro-controlador de controlo.

Os sistemas de Electrólise Salina Astralpool Chlore contam com um sistema automático de limpeza dos eléctrodos que evita a formação de incrustações nos mesmos.

DESCRIÇÃO	MODELO		
	SMART 30 - Código 42347	SMART 60 - Código 42348	SMART 100 - Código 42349
Tensão de serviço standard	230 V AC, 50/60 Hz.		
Saída (dc)	6 A	12 A	24 A
Produção (g/h)	5 - 6	10 -12	20 -24
Detector de fluxo	Detector gás		
Intervalo de salinidade/Temperatura	4 - 6 g./l. / 15°C - 40°C		
Eléctrodos	Titânio com revestimento AUTO-LIMPANTE Tempo de vida previsto: 8.000 - 10.000 horas de funcionamento (de acordo com a qualidade de água) ⁽²⁾		
Controlo de produção	0 - 100 % (5 níveis de produção)		
Controlo cobertura	Entrada para contato livre de potencial Redução de produção a 10% de seu valor nominal con cobertura fechada		
Inversão de polaridade	Programável: 2 ⁽¹⁾ / 3 horas + modo teste (jumper na placa de controle)		
Controlo externo	Entrada para contato livre de potencial ativada pela jumper na placa de controle Lógica: ON (contato fechado) / OFF (contato aberto)		
Protecção nível de sal	Protecção automática de produção		

⁽¹⁾ Configuração de fábrica

⁽²⁾ Sob condições ideais: salinidade (6 g/l), pH (7,2), dureza da água (120 mg/l) e fluxo mínimo.

3. ADVERTÊNCIAS DE SEGURANÇA E RECOMENDAÇÕES:

- O sistema deve ser instalado por pessoal qualificado.
- É necessário respeitar as normas em vigor eléctricas e para a prevenção de acidentes.
- O fabricante não se responsabiliza em nenhum caso pela montagem, instalação ou colocação em funcionamento, nem por qualquer manipulação ou instalação de componentes que não tenham sido efectuados nas suas instalações.
- Os sistemas de Electrólise Salina Astralpool Chlore (42347, 42348, 42349) funcionam a 230 Vac, 50/60 Hz. Não tente alterar o sistema para operar com outra voltagem.
- Certifique-se de que as conexões estão firmes para evitar falsos contactos, com o conseqüente sobreaquecimento dos mesmos.
- Antes de proceder à instalação ou a substituição de um componente, desligar o aparelho da rede eléctrica, e use exclusivamente peças fornecidas por Astralpool.
- Este equipamento produz calor, portanto, deve ser instalado num lugar bem ventilado e com as aberturas de ventilação livres de qualquer elemento que as possa obstruir. Não devem ser instalados perto de materiais inflamáveis.
- Os sistemas de Electrólise Salina AstralPool Chlore (42347, 42348, 42349) dispõem de um grau de protecção IP24. Não devem ser instalados em nenhum caso em lugares expostos a inundações.
- Se o equipamento de electrólise não dispuser de detecção da cobertura, é importante que se reduza a produção do equipamento para o valor mínimo, sempre que a cobertura não esteja colocada sobre a piscina. Caso contrário, poderá ocorrer um excesso de cloro que poderá causar a degradação dos materiais da piscina.

4.1. Instalação da fonte de alimentação

Instalar sempre a FONTE DE ALIMENTAÇÃO do sistema Astralpool Chlore de modo VERTICAL e numa superfície (parede) rígida, tal como se indica no esquema de instalação recomendado. Para garantir o seu bom estado de conservação, é preciso instalar sempre o equipamento num lugar seco e bem ventilado. O grau de estanquidade da FONTE DE ALIMENTAÇÃO do sistema Astralpool Chlore não permite a sua instalação à intempérie. A FONTE DE ALIMENTAÇÃO, preferivelmente, deve ser instalada suficientemente afastada da célula de electrólise, por forma a que não possa sofrer salpicaduras de água de forma accidental.

De maneira especial, evite a formação de ambientes corrosivos devidos às soluções redutoras do pH (especificamente as formuladas com ácido clorídrico "HCl"). Não instale o sistema Astralpool Chlore perto de lugares de armazenamento destes produtos. Recomendamos veementemente o uso de produtos com base de bisulfato sódico ou ácido sulfúrico diluído.

A conexão da fonte de alimentação à rede eléctrica deve ser efectuada no quadro de manobra do depurador, por forma que a bomba e o sistema Astralpool Chlore funcionem em simultâneo.

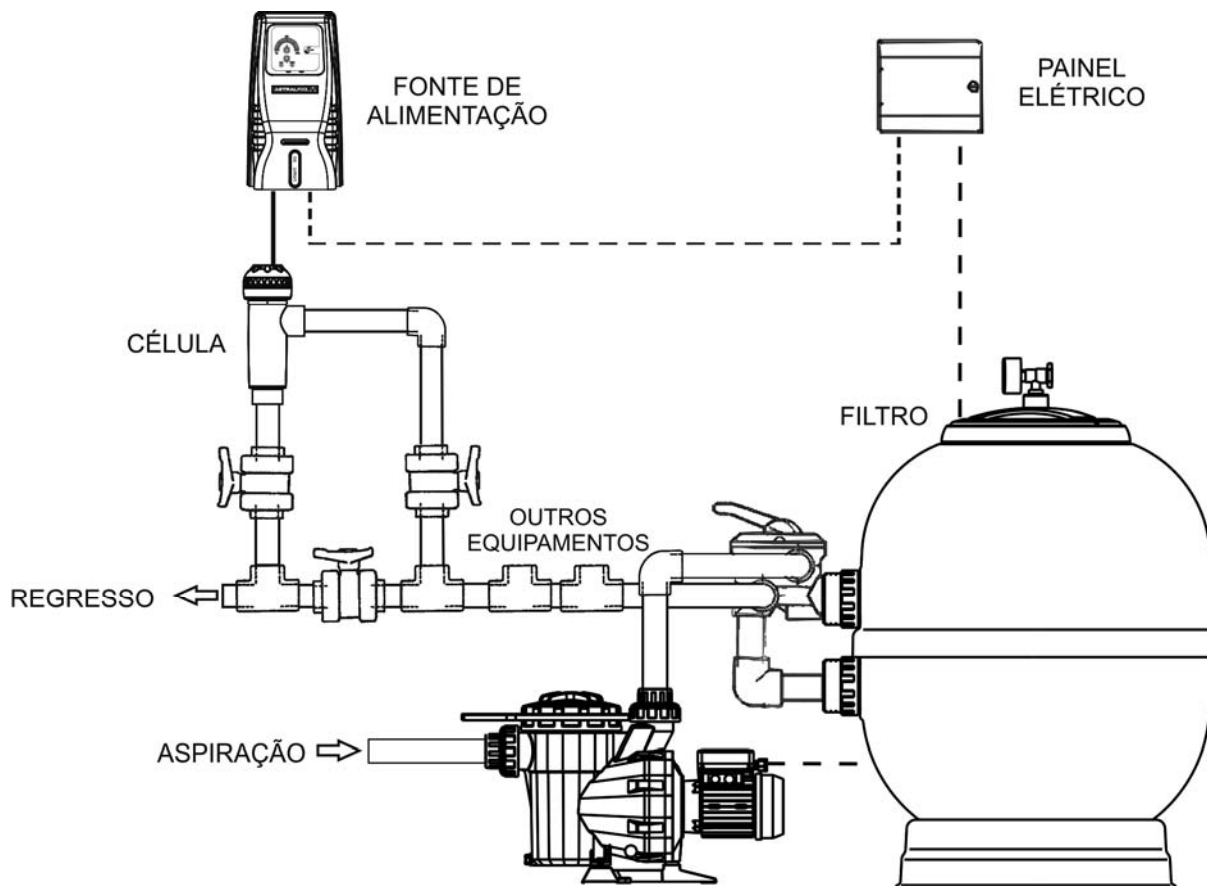


Fig.1 Diagrama de instalação recomendado

4.2. Instalação da célula de electrólise

A célula de electrólise deve ser instalada num lugar protegido da intempérie e **sempre atrás do sistema de filtração**, no caso de existência de outros dispositivos na instalação como bombas de calor, sistemas de controlo, etc.; estes deverão sempre ser colocados antes do sistema de electrólise.

A célula de electrólise sempre deve ser situada de forma **VERTICAL**, num ponto da tubagem que possa ser isolado do resto da instalação por meio de duas válvulas, de modo que se possam efectuar as tarefas de manutenção da mesma sem a necessidade de esvaziar total ou parcialmente a piscina.

No caso de a célula seja instalada em by-pass (opção recomendada), dever-se-á introduzir uma válvula que regule o fluxo através da mesma. Antes de proceder com a instalação definitiva do sistema é preciso levar em consideração as seguintes observações:

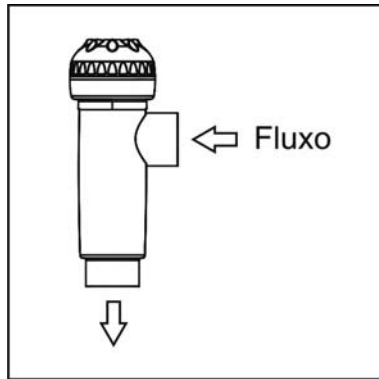


Fig.2

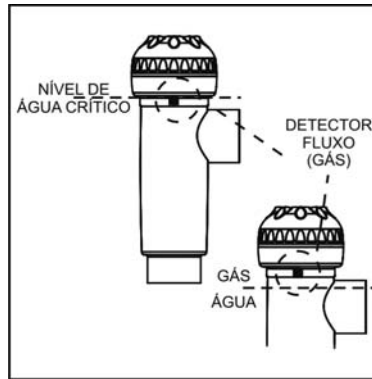


Fig.3

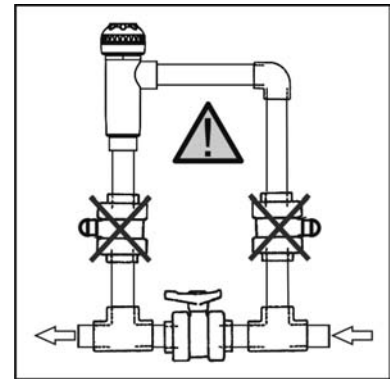


Fig.4

1. É preciso respeitar o sentido de fluxo marcado na célula e sens du fluide marqué sur la cellule doit être respecté. O sistema de recirculação deve garantir o fluxo mínimo indicado na Tabela de Especificações Técnicas para cada modelo. (ver Secção 8).

2. O sistema detector de fluxo activa-se no caso de que não haja recirculação (fluxo) de água através da célula ou no caso de que este seja muito baixo. A não evacuação do gás de electrólise gera uma bolsa que isola electricamente o eléctrodo auxiliar (detecção electrónica). Portanto, ao introduzir os eléctrodos na célula, a sonda de nível (eléctrodo auxiliar) deverá situar-se na parte superior da mesma. A disposição mais segura é a indicada no esquema de instalação recomendado.

3. **ATENÇÃO:** o detector de fluxo não funcionará correctamente, com o conseguinte risco de ruptura da célula, se se fecharem simultaneamente as válvulas de entrada e saída aos tubos onde está instalada a célula de electrólise. Embora seja uma situação extremamente inusual, **é possível evitá-la bloqueando, uma vez instalado o equipamento, a válvula de retorno à piscina**, de modo que não possa ser manipulada acidentalmente.

Outras instalações seriam somente aceitáveis se permitem a detecção de fluxo fraco ou nulo.

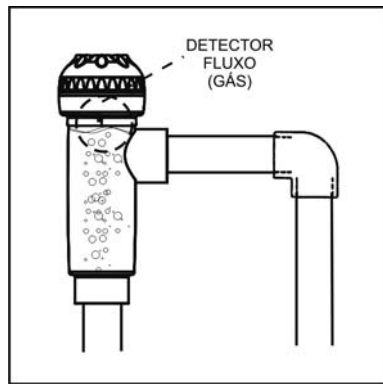


Fig.5

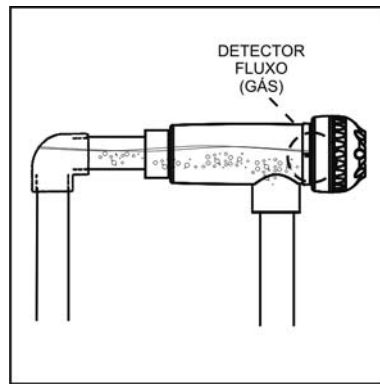


Fig.6

1. Instalação recomendada

2. Instalação permitida (não recomendada)

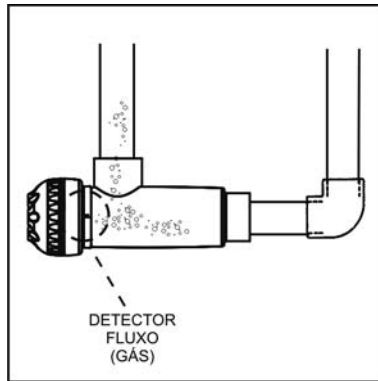


Fig.7

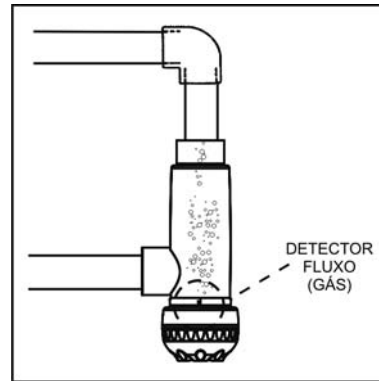


Fig. 8

3. Instalações não permitidas

Os eléctrodos devem ser colocados no interior da célula de electrólise, de modo a encaixar o eléctrodo central do conjunto através das guias situadas na parte superior e inferior do corpo da mesma.

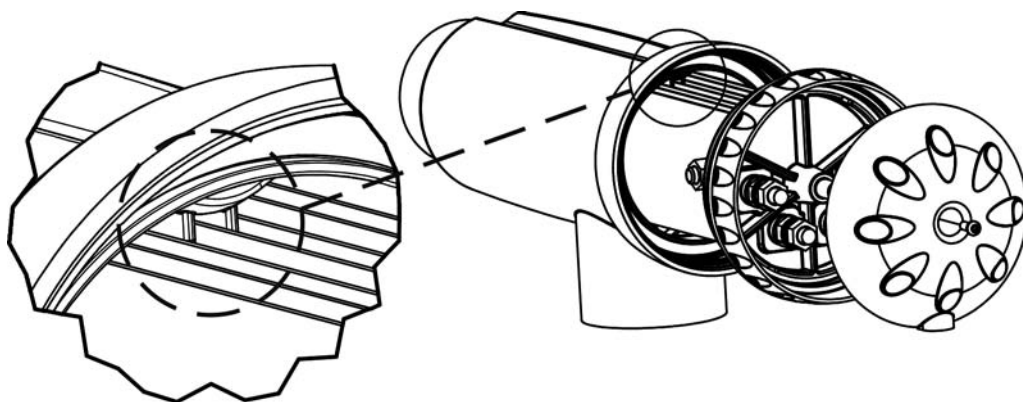
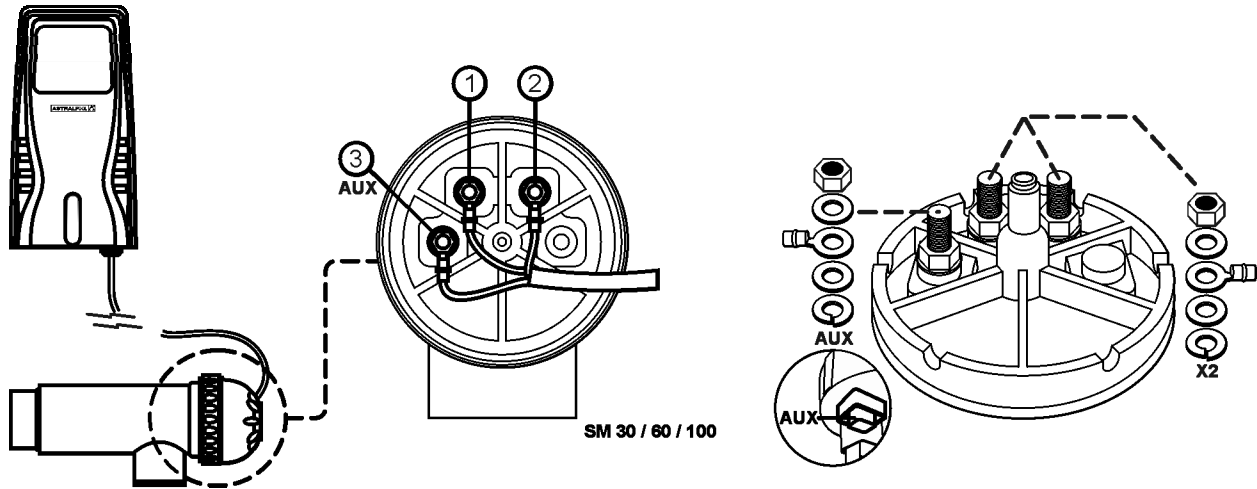


Fig. 9a

4.3. Conexões eléctricas da célula de electrólise

Realizar a ligação entre a célula de electrólise e a fonte de alimentação de acordo com o seguinte esquema. Em virtude da intensidade relativamente elevada da corrente que circula pelos cabos de alimentação da célula de electrólise, em nenhuma hipótese deverá modificar o comprimento ou secção dos mesmos sem fazer uma consulta prévia ao seu distribuidor autorizado ASTRALPOOL. O cabo de conexão célula de electrólise-fonte de alimentação nunca deve exceder o comprimento máximo recomendado neste Manual: Smart 30 / 42347, 15 m.; Smart 60 / 42348, 7.5 m.; Smart 100 / 42349, 4 m.

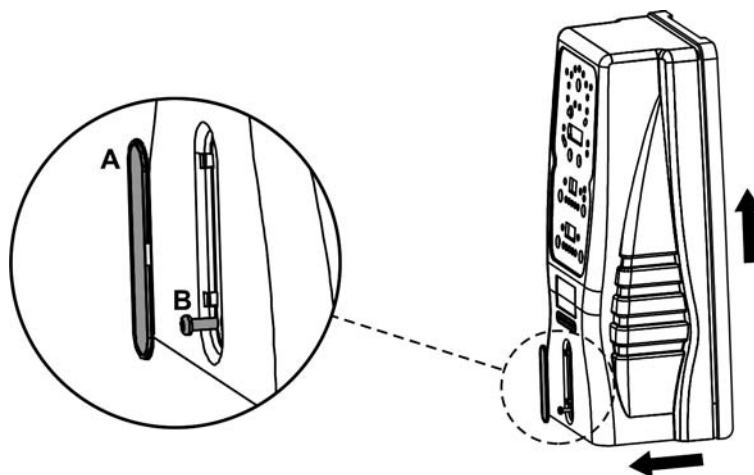


- 1.- Eléctrodo 1 (vermelho)
- 2.- Eléctrodo 2 (vermelho)
- 3.- Detector fluxo (amarelo)

Fig. 9b

4.4 Separação coberta

1. Remover o embellecedor (A) localizado na parte da coberta.
2. Desenroscar o parafuso de fixação (B).
3. Remover a coberta deslizando a mesma para cima e para fora.



4.5. Controles e indicadores

Os sistemas de Electrólise de Sal AstralPool Chlore Elite estão equipados com um painel de controlo situado na sua frente (Fig. 10).

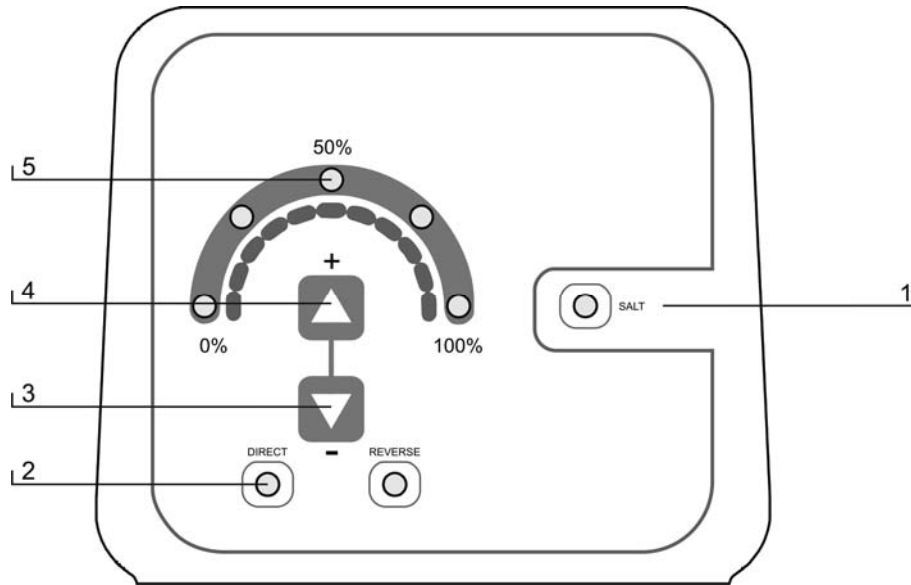


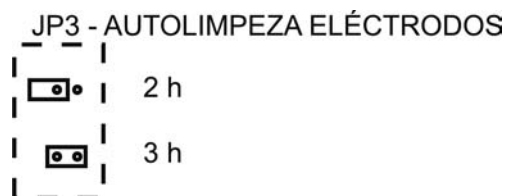
Fig. 10

1. Alarme de SALINIDADE.
2. Indicadores de AUTOLIMPEZA (polaridade DIRETA/INVERSA)
3. Tecla “-” (diminuir produção)
4. Tecla “+” (aumentar produção)
5. Indicador de produção 0 ... 100 %

4.6. Programação e controlo

Além das operações básicas, o Sistema de Electrólise de Sal AstraPool Chlore Smart dispõe de uma entrada para o controlo externo através de um controlador ORP, cloro residual, etc.; bem como uma para o ajuste da produção do equipamento ao se activar a cobertura automática da piscina. Além disso, permite a configuração de três modos de AUTOLIMPEZA dos eléctrodos: TESTE, 2/2, 3/3 horas.

- **Sistema de AUTOLIMPEZA DOS ELÉCTRODOS:** as luzes [2] indicam o estado da polarização dos eléctrodos (directa/inversa) A frequência de inversão pode-se seleccionar através do jumper “JP3” situado na placa de controlo do sistema (Figs. 11- 12).



Smart 30 / 60

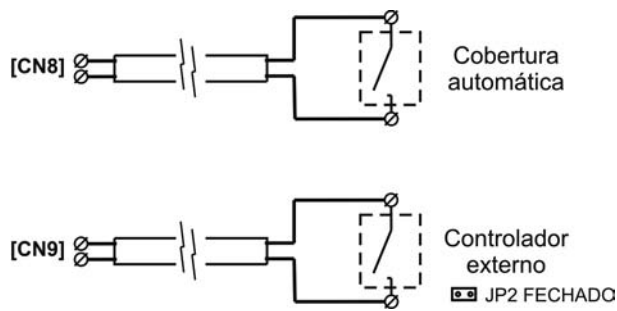
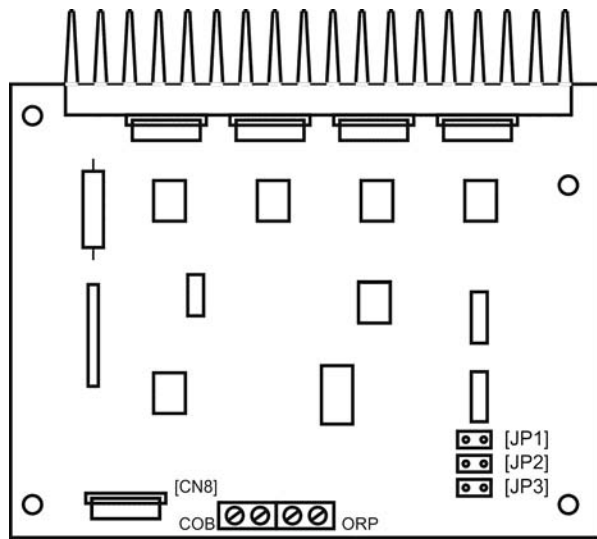


Fig. 11

Smart 100

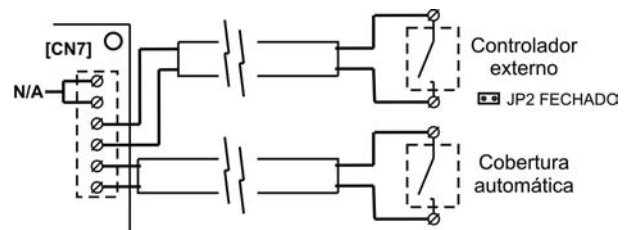
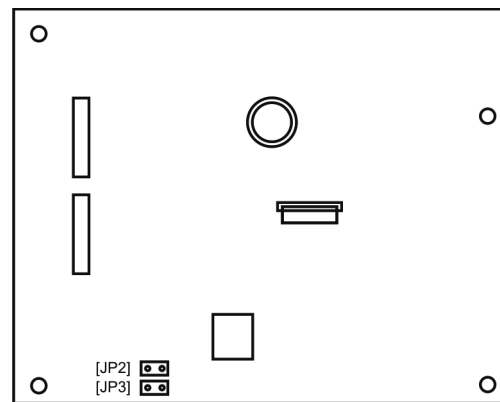
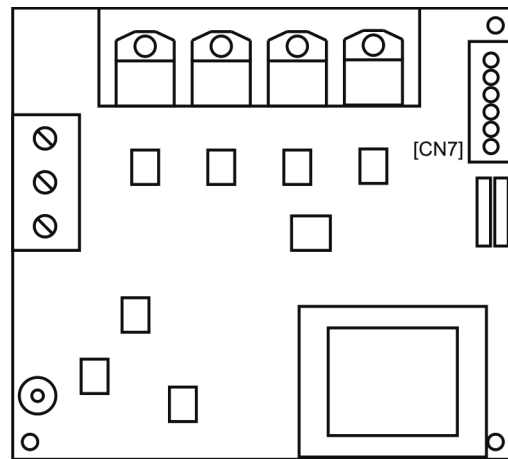
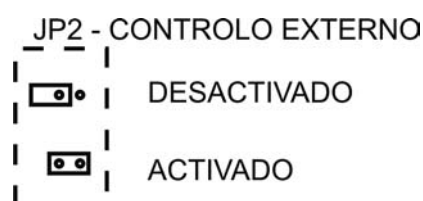


Fig. 12

- **Controlo COBERTURA AUTOMÁTICA:** o sistema dispõe de uma entrada para contacto sem tensão [COB]. Quando o contacto está ligado a esta entrada, fecha-se (a cobertura automática FECHADA), o sistema de electrólise reduz a sua produção 10% do seu valor nominal
- **Controlo EXTERNO:** o sistema dispõe de uma entrada auxiliar adicional para contacto sem tensão [ORP]. Esta entrada pode ser utilizada para fazer interagir o sistema de electrólise com um controlador externo (ORP, CLORO RESIDUAL, FOTÓMETRO, etc.) Quando o contacto está ligado a esta entrada está ABERTO, o sistema de electrólise pára. Para activar esta entrada deverá colocar-se o jumper "JP2" situado na placa de controlo da unidade.



4.7. Início

1. Assegurar-se de que o filtro esteja limpo a 100%, e de que a piscina e a instalação não contenham cobre, ferro e algas, bem como certificar-se de que todos os equipamentos de aquecimento instalados são compatíveis com a presença de sal na água (use somente permutadores em titânio).

2. Equilibrar a água da piscina. Isto nos permitirá obter um tratamento mais eficiente com a menor concentração de cloro livre na água, bem como um funcionamento mais prolongado dos eléctrodos além de uma menor formação de depósitos calcários na piscina.

a) O pH deve ser de 7.2-7.6

b) A alcalinidade total deve ser de 60-120 ppm.

3. Ainda que o sistema AstralPool Chlore Smart possa trabalhar num intervalo de salinidade de 4 - 6 g/l., deve-se tentar manter o nível de sal no nível mínimo recomendado de 5 g/l, acrescentando 5 Kg. por cada m³ de água se a água não contiver previamente sal. Utilizar sempre sal comum (cloreto de sódio), sem aditivos como iodetos ou anti-espessantes, e com qualidade apta para consumo humano. Não adicionar nunca o sal através da célula. Aplicá-lo directamente na piscina ou no tanque de compensação (longe do ralo da piscina).

4. Ao acrescentar o sal, e no caso de que a piscina seja utilizada de forma imediata, efectuar um tratamento com cloro. Como dose inicial, é possível acrescentar 2 g/m³ de ácido tricloro-isocianúrico.

5. Antes de iniciar o ciclo de trabalho, desligue a fonte de alimentação e coloque a bomba do depurador em funcionamento durante 24 horas para garantir a completa dissolução do sal.

6. Depois coloque o sistema de electrólise salina em funcionamento, situando o nível de produção do mesmo, de modo que se mantenha o nível de cloro livre dentro dos níveis recomendados (0.5 - 1.5 ppm).

NOTA: para poder determinar o nível de cloro livre é preciso empregar um kit de análise.

7. Em piscinas com forte insolação ou utilização intensiva, é aconselhável manter um nível de 25-30 g/m³ de estabilizante (ácido isocianúrico). Em nenhuma hipótese poderá superar o nível de 75 g/m³. Isto será de grande ajuda para evitar a destruição do cloro livre presente na água pela acção da luz solar.

5. FUNCIONAMENTO:

5.1. Sistema parado

O sistema entra no modo "EM ESPERA" quando se premir sucessivamente a tecla " - " [3] até que o indicador " 0 % " fique a piscar. Nesta situação não existe produção na célula de electrólise.

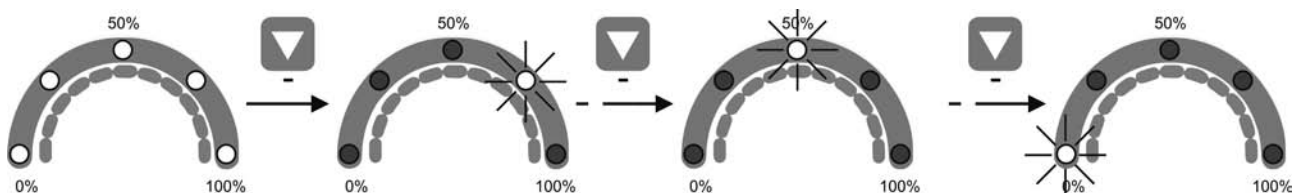


Fig. 13

5.2. Seleção do nível de produção

Para seleccionar o nível de produção desejado, prima sucessivamente as teclas " + " [4] ou " - " [3], até que a luz correspondente ao nível de produção desejado fique a piscar. Passados alguns segundos, o sistema colocará a sua produção no nível seleccionado.

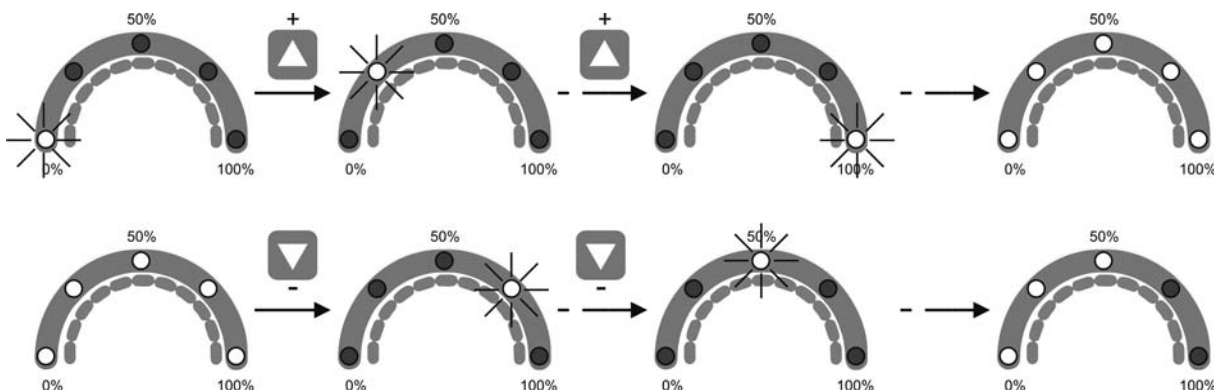


Fig. 14



Modo INVERNO: durante os períodos de baixa temperatura da água, onde a demanda de cloro será baixa, selecione um nível de produção [1] de 50%. Desta forma o consumo de energia e vida útil do conjunto de eletrodos são otimizados.

5.3. Modo TESTE

Para entrar no modo TESTE, baixar o nível de produção para "0 %" a través de pressões sucessivas na tecla "-" [3] (Fig. 13)

Assim que o sistema parar mantenha a mesma tecla premida durante 5 segundos. O sistema indicará ter entrado no modo TESTE iluminando todas as luzes durante um segundo.

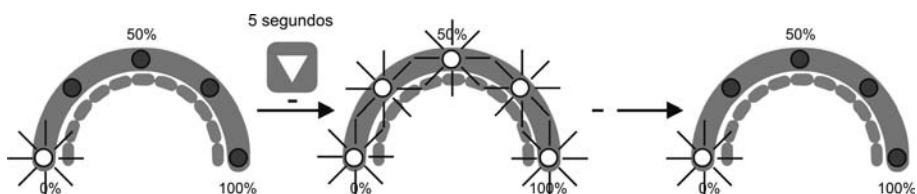


Fig. 15

Quando o sistema entra em modo de TESTE, o sistema coloca o temporizador de troca de polaridade e o nível de produção seleccionado a zero. Neste modo o sistema está totalmente operacional, efectuando-se as inversões de polaridade dos eléctrodos de 2 em 2 minutos. Para sair do modo TESTE, será necessário abandonar a alimentação de 230 V do sistema.

Quando o sistema estiver no modo TESTE, o indicador de luz de polaridade "DIRECT - REVERSE" [2], pisca.

5.4. Alarmes

- **NÍVEL DE SAL ELEVADO**

No caso de se ter acrescentado sal em excesso, a fonte de alimentação irá diminuir o nível de potência com referência ao seleccionado. A luz "SALT" [1] vai manter-se iluminada. Neste caso, deve-se esvaziar uma parte da piscina, (por exemplo 10%) e acrescentar água fresca para diminuir a concentração de sal. Para um conhecimento preciso do nível de sal recomendamos que utilize um medidor portátil de salinidade-temperatura.

- **NÍVEL DE SAL BAIXO**

No caso do nível de sal na água da piscina estar abaixo do recomendado, a fonte de alimentação não poderá alcançar o nível de saída seleccionado. A luz "SALT" [1] vai piscar. É possível que o sistema indique níveis de sal inferiores aos reais se a temperatura for inferior a 20°C, ou se o eletrodo chegou ao fim da sua vida útil. Neste caso, determinar o nível de salinidade da água e acrescentar o sal necessário. O tipo de sal comum (NaCl) indicado para a electrólise salina não deve apresentar aditivos (anti-espessante, iodetos) e deve ser apto ao consumo humano. Para um conhecimento preciso do nível de sal recomendamos que utilize um medidor portátil de salinidade-temperatura.

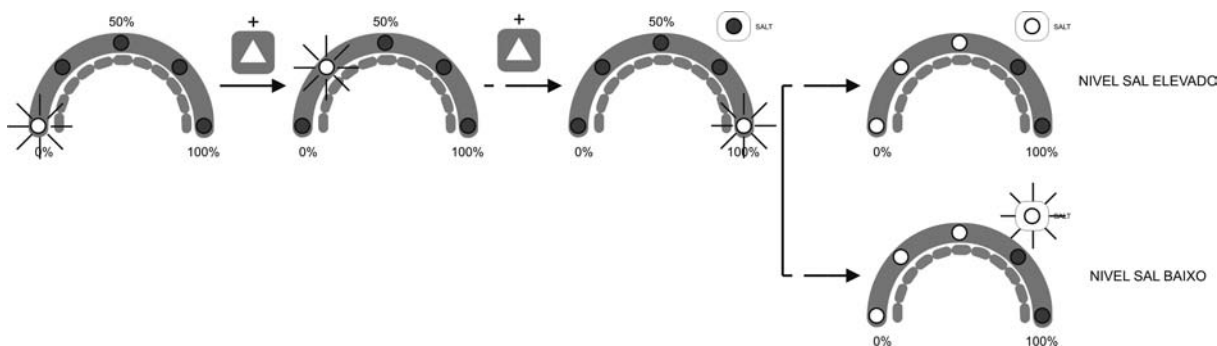


Fig. 16

- **NÍVEL DE ÁGUA NA CÉLULA/DETECTOR DE FLUXO (GÁS)**

Se em qualquer momento se formar uma bolha de ar ou de gás na parte superior da célula de electrólise e o DETECTOR DE FLUXO não estiver submerso, o sistema vai desligar automaticamente a saída de corrente que efectuava os eléctrodos ficando todas as luzes do sistema a piscar. O sistema reinicia automaticamente assim que se restitua a passagem de água pela célula e a bolha seja evacuada.

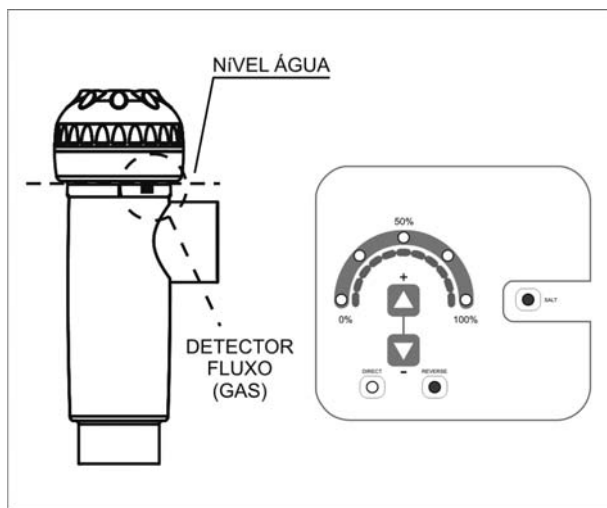


Fig. 17

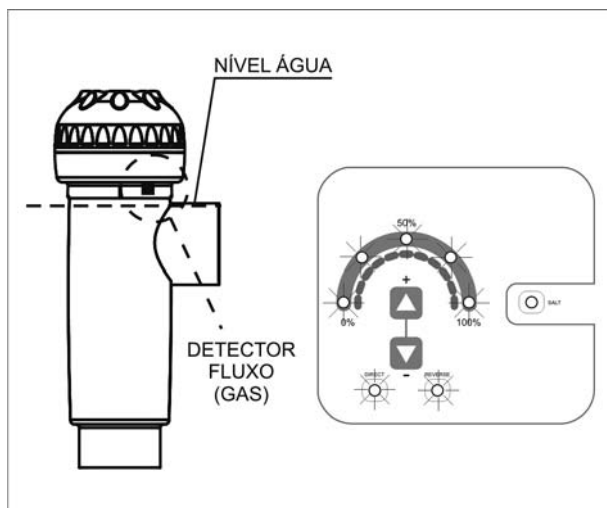


Fig. 18

1. Detector de gás submerso. Sistema em funcionamento.

2. Gás detectado. Sistema parado.

6. MANUTENÇÃO:

A célula deve ser mantida em condições adequadas para garantir um longo tempo de funcionamento. O sistema de electrólise salina conta com um sistema de limpeza automática dos eléctrodos. Assim, evita-se a formação de incrustações calcárias nos mesmos, portanto não se prevê a necessidade de efectuar nenhuma limpeza nos mesmos. No entanto, caso seja necessário realizar uma limpeza no interior da célula, proceda da seguinte forma:

1. Parar o sistema de electrólise e o restante equipamento da piscina.
2. Fechar as válvulas e esvaziar a água do vaso de electrólise.
3. Desenrosque a porca de fecho situada na extremidade onde se encontram os eléctrodos, e retirar o conjunto de eléctrodos.
4. Utilizar uma solução diluída de ácido clorídrico (uma parte de ácido em 10 partes de água), imergindo o grupo de eléctrodos na mesma durante 10 minutos no máximo.
5. **NUNCA RASPE NEM ESCOVE A CÉLULA OU OS ELÉCTRODOS.**

Os eléctrodos de um sistema de electrólise salina constituem-se por lâminas de titânio revestidas com uma camada de óxidos de metais nobres. Os processos de electrólise que têm lugar na sua superfície produzem o seu desgaste progressivo, portanto, com o fim de otimizar o tempo de duração dos mesmos, é preciso considerar os seguintes aspectos:

1. Apesar de se tratarem de sistemas de electrólise salina AUTO-LIMPANTES, o funcionamento prolongado do sistema com valores de pH acima de 7,6 em águas de alta dureza pode produzir a acumulação de depósitos calcários na superfície dos eléctrodos. Estes depósitos deteriorarão progressivamente o revestimento, ocasionando uma diminuição do seu tempo de vida útil.
2. A realização de limpezas/lavagens frequentes dos eléctrodos (como os descritos anteriormente) reduzirá a sua vida útil.
3. O funcionamento prolongado do sistema com salinidades inferiores a 3 g/l produz uma deterioração prematura dos eléctrodos.
4. A utilização frequente de produtos algicidas com alto conteúdo de cobre pode produzir a deposição do mesmo nos eléctrodos, danificando progressivamente o revestimento. Lembre-se que o cloro é o melhor algicida.

7. SOLUÇÃO DE PROBLEMAS:

Qualquer acção necessária para solucionar possíveis problemas no equipamento deve ser realizada sempre com o equipamento eléctrica. Os problemas não contemplados na lista abaixo devem ser solucionados por um técnico responsável da AstraPool.

PROBLEMA	SOLUCION
O indicador de produção indica sempre "0 em qualquer nível de produção escolhido.	Verificar os eléctrodos. Verificar as conexões entre a fonte de alimentação e a célula de electrólise. Verificar a concentração de sal.
A fonte de alimentação não liga.	Verificar se o sistema está convenientemente conectado a 230 V/50-60 Hz no quadro de manobra da piscina. Comprobar el estado del fusible situado en la parte inferior del equipo.
Os níveis de cloro livre na água são muito baixos	Colher uma amostra nos bicos de retorno à piscina e efectuar uma análise ao cloro. Verificar se os parâmetros químicos da água (pH, cloro combinado, ácido isocianúrico) são correctos. Aumentar o tempo de filtração. Acrescentar estabilizante de cloro (ácido cianúrico) até alcançar um nível 25 - 30 g/m ³ .

8. CARACTERÍSTICAS TÉCNICAS:

ESPECIFICAÇÕES TÉCNICAS:

Tensão de serviço standard

230V AC - 50/60 Hz.
 Cabo: 3 x 1.5 mm², long. 2 m.
 Smart 30 / 42347 0,18 A
 Smart 60 / 42348 0,36 A
 Smart 100 / 42349 0.72 A

Fusível

Smart 30 / 42347 1 A T (5x20 mm)
 Smart 60 / 42348 2 A T (5x20 mm)
 Smart 100 / 42349 3,15 A T (5x20 mm)

Voltage saída

9 V DC / Cable: 3 x 4 mm², long. 2 m.
 Smart 30 / 42347 - 6 A (2x3 A)
 Smart 60 / 42348 - 12 A (2x6 A)
 Smart 100 / 42349 - 24 A (2x12 A)

Produção

Smart 30 / 42347 5 - 6 g./h.
 Smart 60 / 42348 10 - 12 g./h.
 Smart 100 / 42349 20 - 24 g./h.

Fluxo recirculação mínimo

Smart 30 / 42347 1 m³/h.
 Smart 60 / 42348 2 m³/h.
 Smart 100 / 42349 4 m³/h.

Número eléctrodos

Smart 30 / 42347 3
 Smart 60 / 42348 5
 Smart 100 / 42349 7

Peso líquido

Smart 30 / 42347 9 Kg.
 Smart 60 / 42348 11 Kg.
 Smart 100 / 42349 13 Kg.

CARACTERÍSTICAS GERAIS:

Sistema de controlo

- Microprocessador.
- Teclado de membrana com botões de controlo e indicadores de funcionamento.
- E/S de controlo: 2 entradas tipo contacto livre de potencial para estado de cobertura automática e controlador externo (ORP, CLORO RESIDUAL, etc.).
- Saída célula: controle de produção (5 níveis discretos).
- Intervalo de salinidade / Temperatura: 4 ... 6 g/l. / 15°C - 40°C

Auto-limpeza

Inversión de polaridade automática

Temperatura de trabalho

0°C a +40°C

Refrigeração: convecção natural.

Material

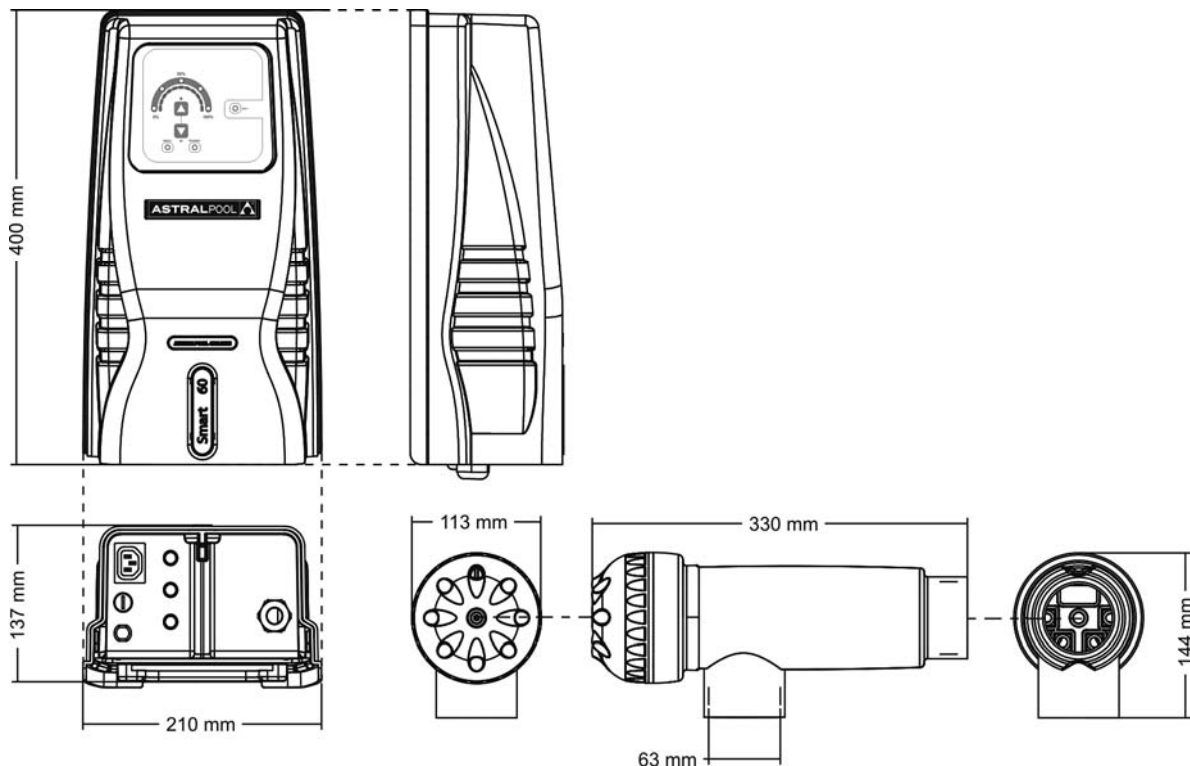
Fonte de alimentação

- ABS color azul
- Alumínio

Célula de electrólise e porta-eléctrodos

- Metacrilato color azul

Dimensões



9. CONDIÇÕES DE GARANTIA:

9.1. ASPECTOS GERAIS

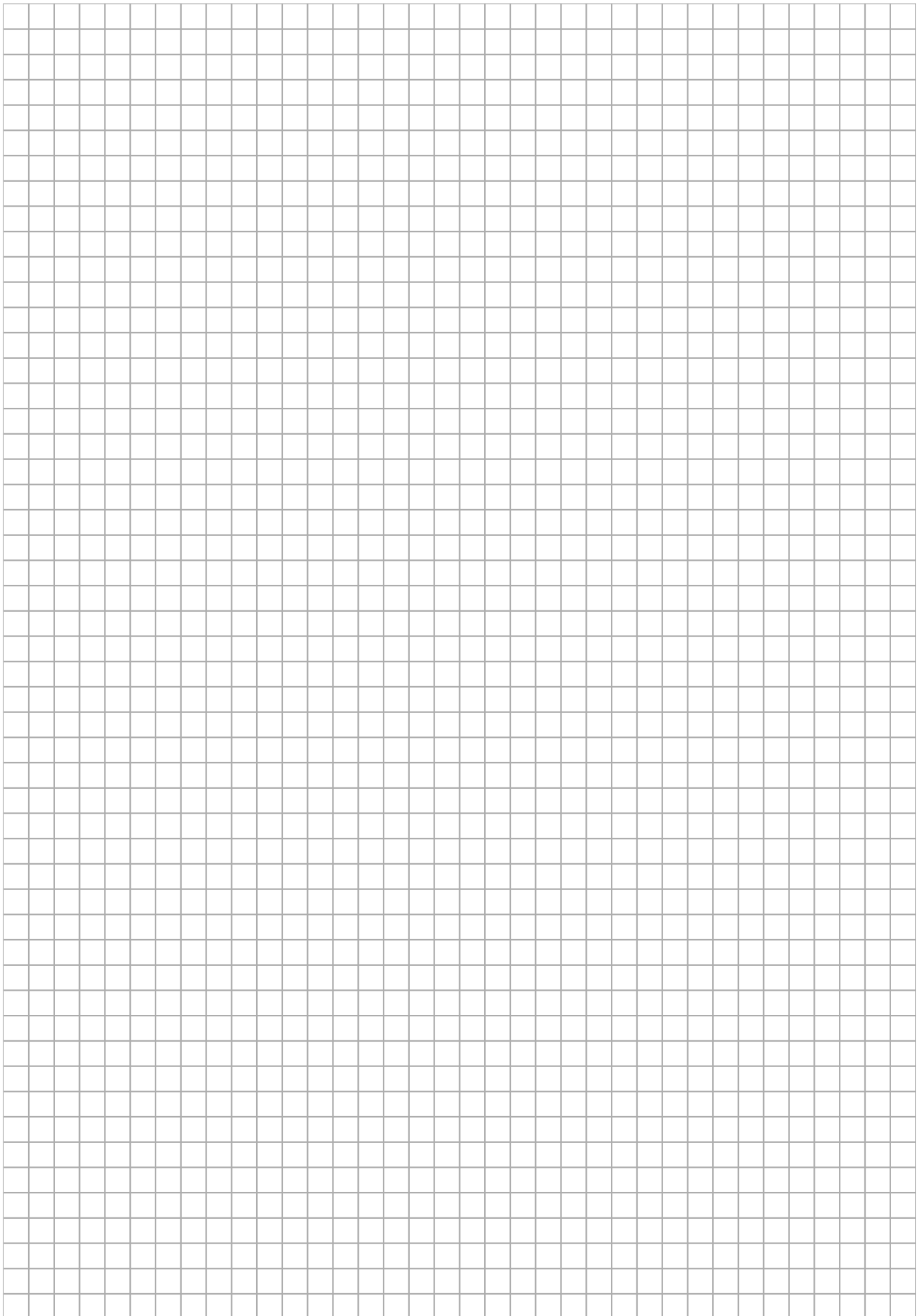
- 9.1.1. De acordo com estas disposições, o vendedor garante que o Produto que corresponde a esta não apresente nenhuma falta de conformidade no momento da sua entrega.
- 9.1.2. O Período de garantia Total para o Produto é de 2 ANOS, e este conta-se desde o momento da sua entrega ao comprador. O eléctrodo está coberto por uma garantia de 2 ANOS (ou 3.000 horas) sem prorrogações.
- 9.1.3. Se verificar uma falta de conformidade do Produto e o comprador o notificar ao vendedor durante o período de garantia, o vendedor deverá reparar ou substituir o Produto a custo próprio no local que considerar oportuno, salvo se for impossível ou desproporcionado.
- 9.1.4. Quando não for possível reparar ou substituir o Produto, o comprador poderá solicitar uma redução proporcional do preço ou, se a falta de conformidade for suficientemente importante, a resolução do contrato de venda.
- 9.1.5. As partes substituídas ou reparadas no âmbito desta garantia não ampliam o prazo de garantia original do Produto, se bem que dispõem da sua própria garantia.
- 9.1.6. Para a efectividade da presente garantia, o comprador deverá autenticar a assinatura de aquisição e entrega do Produto.
- 9.1.7. Quando hajam decorrido mais de seis meses desde a entrega do Produto ao comprador e este alegue falta de conformidade daquele, o comprador deverá autenticar a origem e a existência do defeito alegado.
- 9.1.8. O presente Certificado de Garantia não limita ou prejudica os direitos que correspondam aos consumidores em virtude de normas nacionais de carácter imperativo.

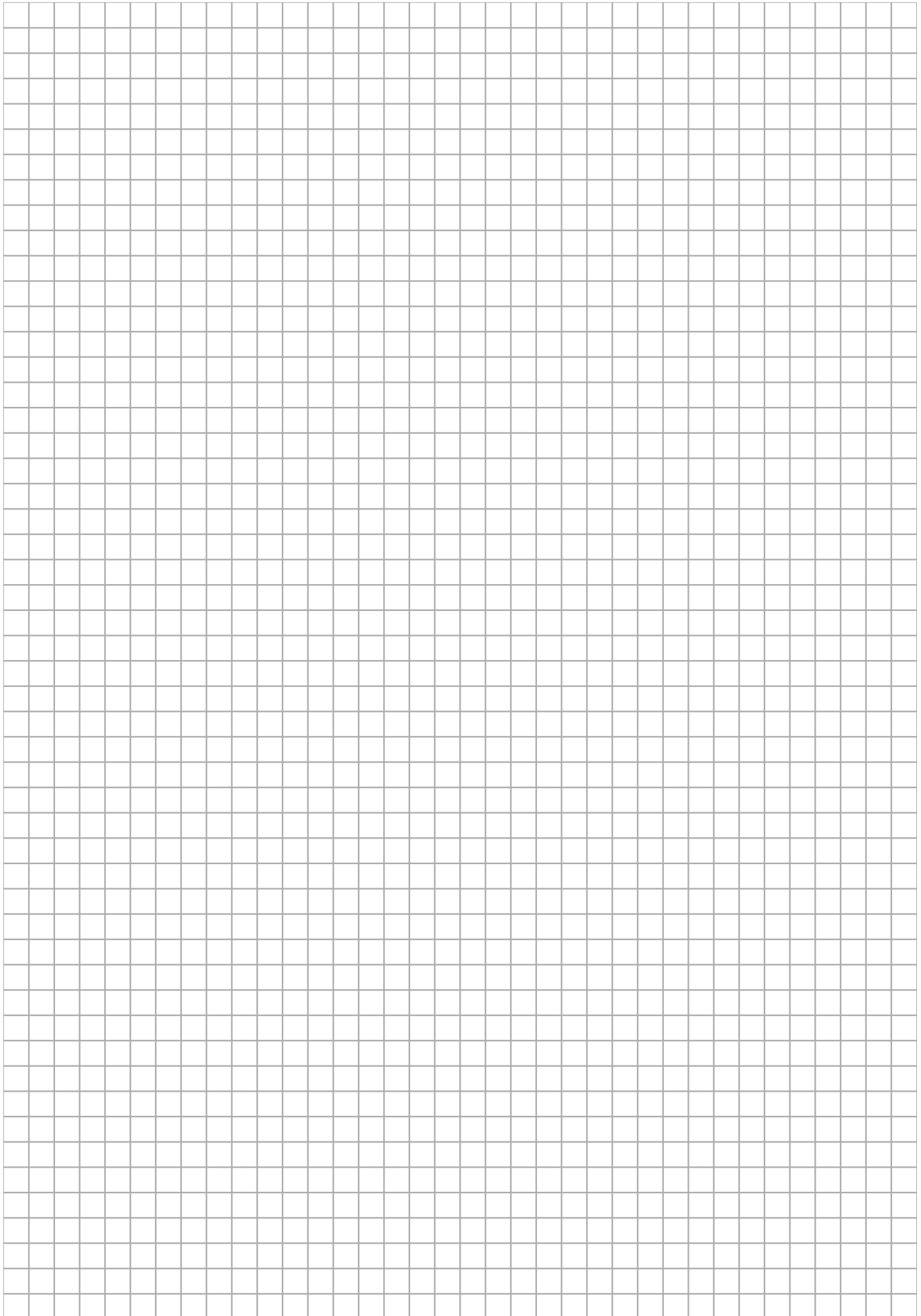
9.2. CONDIÇÕES PARTICULARES

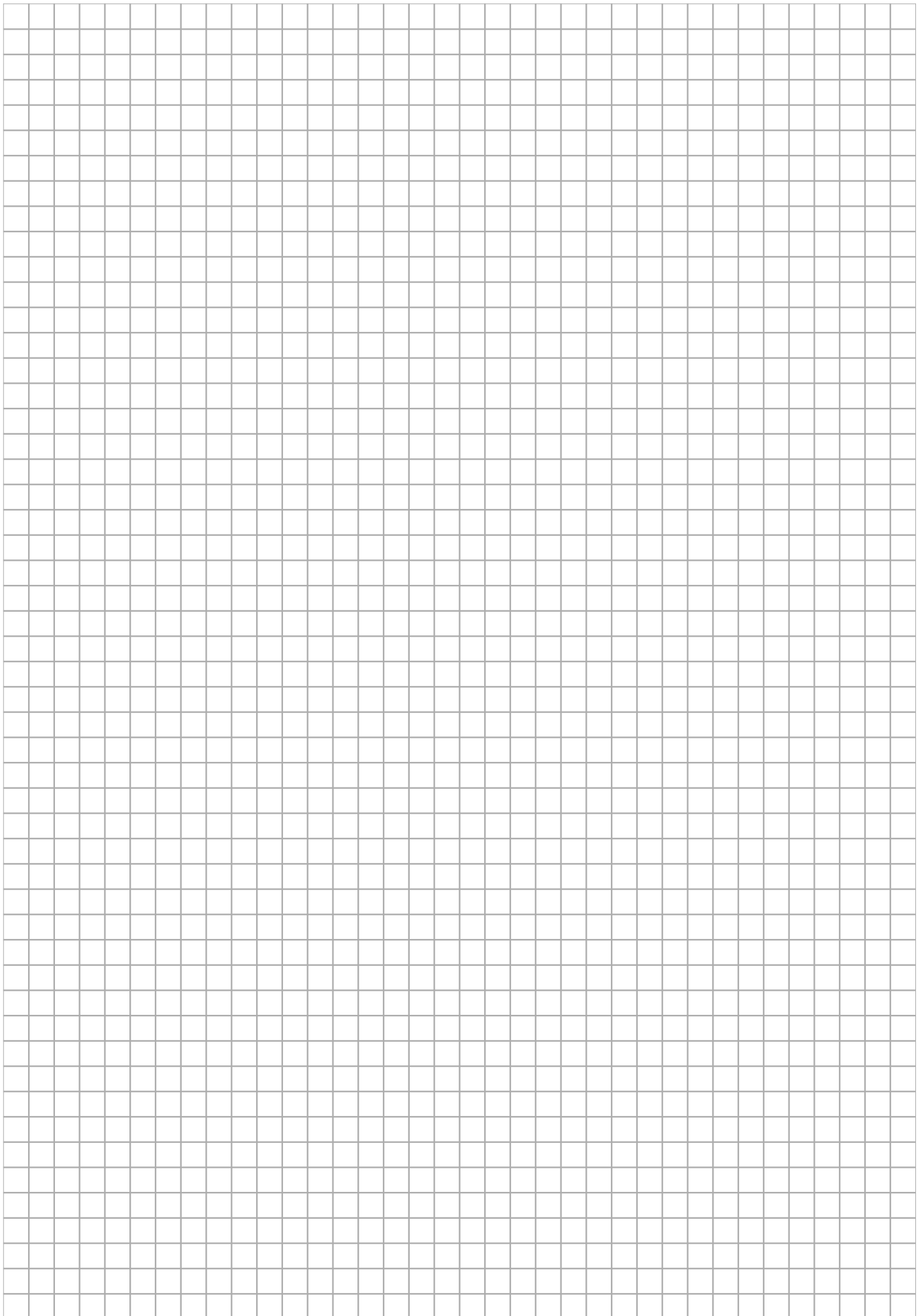
- 9.2.1. Para a eficácia desta garantia, o comprador deverá seguir estritamente as indicações do Fabricante incluídas na documentação que acompanha o Produto, quando esta for aplicável de acordo com a gama e modelo do Produto.
- 9.2.2. Quando for especificado um calendário para a substituição, manutenção ou limpeza de certas peças ou componentes do produto, a garantia só será válida quando seja correctamente cumprido o referido calendário.

9.3. LIMITAÇÕES

- 9.3.1. A presente garantia será unicamente de aplicar nas vendas realizadas a consumidores, entendendo-se por “consumidor” aquela pessoa que adquire o Produto com fins que não entram no âmbito da sua actividade profissional.
- 9.3.2. Não se outorga qualquer garantia a respeito do normal desgaste pelo uso do produto, nem a respeito das peças, componentes e/ou materiais fungíveis ou consumíveis (com excepção do eléctrodo).
- 9.3.3. A garantia não cobre os casos em que o Produto: (i) tenha sido objecto de tratamento incorrecto; (ii) tenha sido inspeccionado, reparado, efectuada manutenção ou manipulado por pessoa não autorizada; (iii) tenha sido reparado ou efectuada manutenção com peças não originais ou (iv) tenha sido instalado ou colocado em funcionamento de modo incorrecto.
- 9.3.4. Quando a falta de conformidade do Produto seja consequência de uma instalação incorrecta ou funcionamento incorrecto, a presente garantia apenas responderá quando a dita instalação ou funcionamento esteja incluído no contrato de compra e venda do Produto e tenha sido realizada pelo vendedor ou sob a sua responsabilidade.
- 9.3.5. Danos ou falhas do produto devido a qualquer uma das seguintes causas:
 - Funcionamento com salinidade inferior a 3 g./l. de cloreto de sódio e/ou temperaturas inferiores à 15°C ou superiores à 40°C.
 - Funcionamento com pH superior a 7,6.
 - Emprego de produtos químicos não autorizados de forma expressa.
 - Exposição a ambientes corrosivos e/ou a temperaturas inferiores a 0°C ou superiores a 50°C.







I.D. ELECTROQUIMICA, S.L.

EN	PRODUCTS	SALT ELECTROLYSIS SYSTEM	42347
F	PRODUITS	SYSTÈME D'ÉLECTROLYSE SALINE	42348
E	PRODUCTOS	SISTEMA DE ELECTROLISIS DE SAL	42349
I	PRODOTTI	SISTEMA PER L'ELETTROLISI DEL SALE	
D	PRODUKTE	SALZ-ELEKTROLYSE-SYSTEM	
P	PRODUTOS	SISTEMA DE ELECTRÓLISE SALINA	

DECLARATION EC OF CONFORMITY

The products listed above are in compliance with:
Low Voltage Directive (LVD) 2006/95/EC.
Electromagnetic Compatibility Directive (CEM)
2004/108/EC.
ROHS Directive 2011/65/EC.

DÉCLARATION CE DE CONFORMITÉ

Les produits énumérés ci-dessus sont conformes à:
La Directive des Appareils à Basse Tension (LVD)
2006/95/EC.
La Directive de Compatibilité Électromagnétique (CEM)
2004/108/EC.
La Directive ROHS 2011/65/EC.

DECLARACION CE DE CONFORMIDAD

Los productos arriba enumerados se hallan conformes con:
Directiva de Equipos de Baja Tensión (LVD) 2006/95/EC.
Directiva de Compatibilidad Electromagnética (CEM)
2004/108/EC.
Directiva ROHS 2011/65/EC.

DICHIARAZIONE CE DI CONFORMITÀ

I prodotti di cui sopra adempiono alle seguenti direttive:
Direttiva per gli Apparecchi a Bassa Tensione (LVD)
2006/95/EC.
Direttiva di Compatibilità elettromagnetica (CEM)
2004/108/EC.
Direttiva ROHS 2011/65/EC.

KONFORMITÄT SERKLÄRUNG CE

Die oben aufgeführten Produkte sind konform mit:
Richtlinie für Niederspannungsanlagen (LVD) 2006/95/EC.
Richtlinie zur elektromagnetischen Kompatibilität (CEM)
2004/108/EC.
Richtlinie ROHS 2011/65/EC.

DECLARAÇÃO CE DE CONFORMIDADE

Os produtos relacionados acima estão conformes as:
Directiva de Equipamentos de Baixa Tenção (LVD)
2006/95/EC.
Directiva de Compatibilidae Electromagnética (CEM)
2004/108/EC.
Directiva ROHS 2011/65/EC.

Signature / Qualification:

Signature / Qualification:

Firma / Cargo:

Firma / Qualifica:

Unterschrift / Qualifizierung:

Assinatura / Título:

I.D. ELECTROQUIMICA, S.L.
Pol. Ind. Atalayas, Dracma R-19
E-03114 ALICANTE. Spain.

Gaspar Sánchez Cano
Gerente

01-04-2012

We reserve to change all or part of the articles or contents of this document, without prior notice
Nous nous reservons le droit de modifier totalment ou en partie les caracteristiques de nos articles ou le contenu de ce document sans pré avis
Nos reservamos el derecho de cambiar total o parcialmente las características de nuestros artículos o el contenido de eeste documento sin previo aviso
Ci riservamo il dritto di cambiare totalmente o parzialmente le caratteristiche technique dei nostri prodotti ed il cotenuto di questo documntosenza nessun preavviso
Wir behalten uns das recht vor die eigenschaften unserer produkte oder den inhalt dieses prospektes teilweise oder vollstanding, ohne vorherige benachichtigung zu andern
Reservamo-nos no dereito de alterar, total ou parcialmente as características dos nossos artigos ou o coteúdo deste documento sem avisdo prévio.